

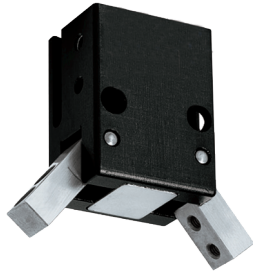
2-JAW ANGULAR GRIPPERS

INSTALLATION SIZE MGW806

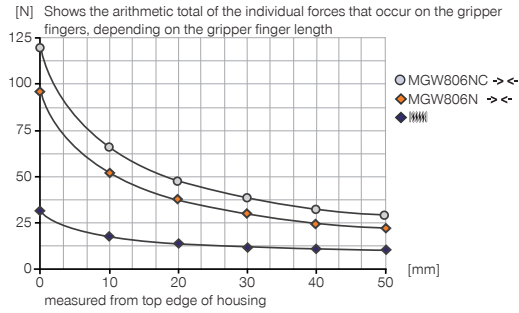
1

Installation size MGW806 / 2-Jaw Angular Grippers / pneumatic / Grippers

▶ PRODUCT SPECIFICATIONS

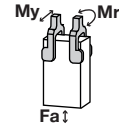


▶ Gripping force diagram



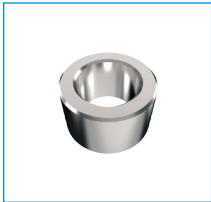
▶ Forces and moments

Displays static forces and moments that can also have an effect, besides the gripping force.



Mr [Nm]	0.7
My [Nm]	0.7
Fa [N]	260

▶ INCLUDED IN DELIVERY



Centering Disc

DST40600

▶ RECOMMENDED ACCESSORIES



Magnetic field sensor
Angled Cable 5 m

MFS103KHC



Magnetic field sensor
Angled Cable 0,3 m -
Connector M8

MFS103SKHC



Magnetic field sensor
Straight Cable 5 m

MFS204KHC



Magnetic field sensor
Straight Cable 0,3 m -
Connector M8

MFS204SKHC



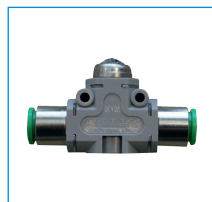
Straight Fittings - Barb
Style Connection

GVM3



Angled Fittings - Barb
Style Connection

WVM3

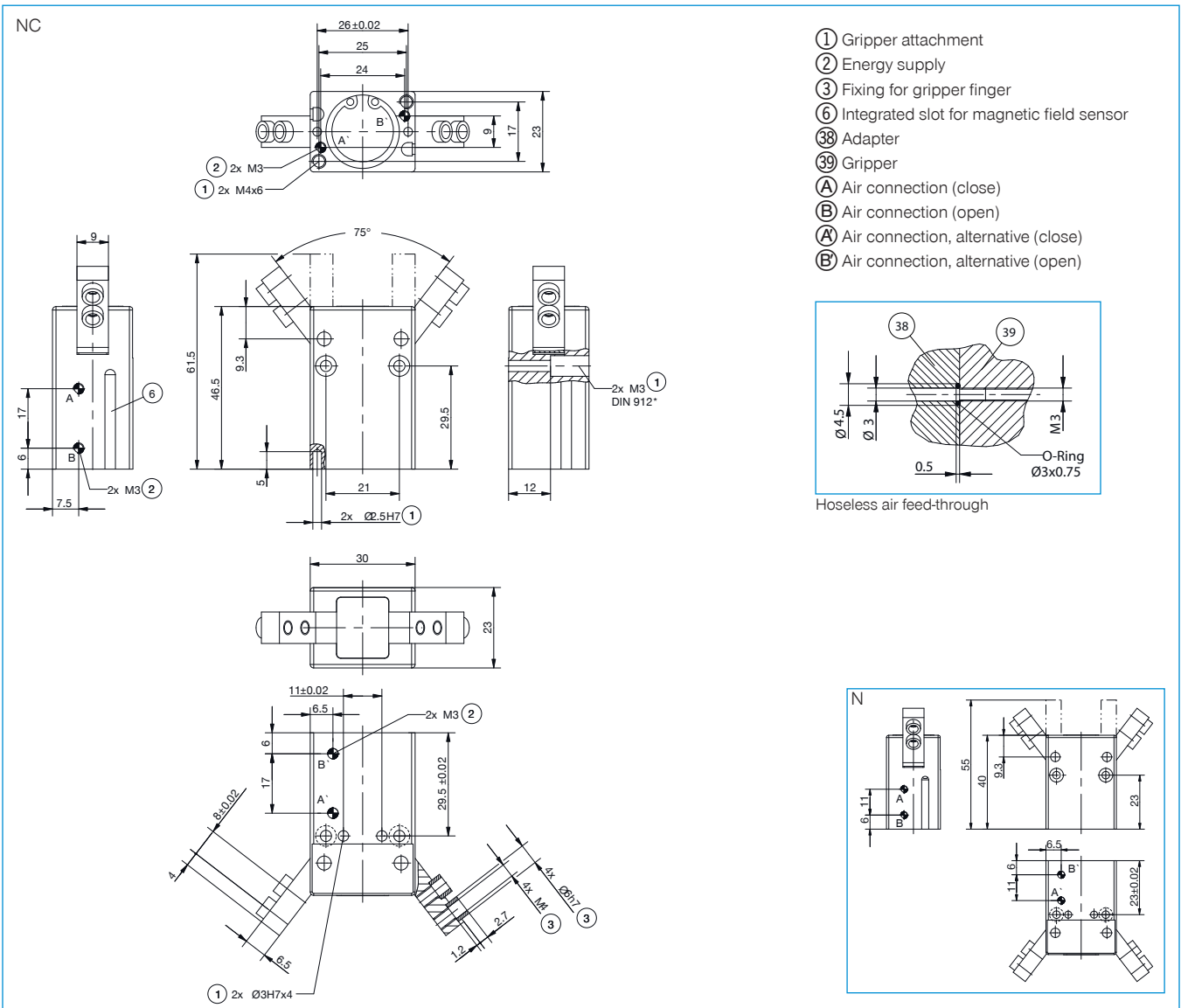


Quick Exhaust Valve

DEV04

Order no.	▶ Technical Data*	
	MGW806N	MGW806NC
Stroke per jaw [°]	37.5	37.5
Gripping moment in closing [Nm]	0.85	1.1
Gripping moment in opening [Nm]	1.02	
Gripping moment secured by spring min. [Nm]		0.25
Gripping force in closing [N]	91	118
Gripping force in opening [N]	110	
Closing time [s]	0.02	0.02
Opening time [s]	0.02	0.04
Repetition accuracy +/- [mm]	0.05	0.05
Operating pressure min. [bar]	3	4
Operating pressure max. [bar]	8	8
Operating temperature min. [°C]	5	5
Operating temperature max. [°C]	+80	+80
Air volume per cycle [cm ³]	2.4	3.4
Weight [kg]	0.1	0.12

*All data measured at 6 bar



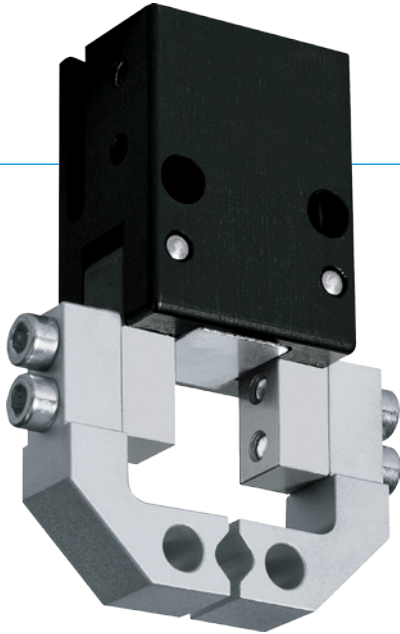
2-JAW ANGULAR GRIPPERS

SERIES MGW800

1

Series MGW800 / 2-Jaw Angular Grippers / pneumatic / Grippers

▶ PRODUCT ADVANTAGES



“The economical”

▶ Concentration on the essentials

The most economic type of gripping: This is how you reduce your production costs

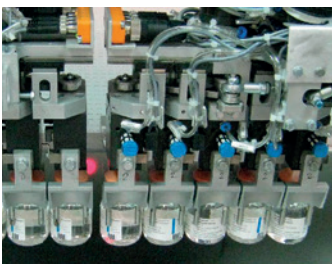
▶ High moment load

The optimally designed angular gear box provides the highest durability for your application

▶ Failure-free continuous operation

Our uncompromising „Made in Germany“ quality guarantees up to 10 million maintenance-free cycles

▶ THE BEST PRODUCT FOR YOUR APPLICATION



▶ Our products welcome the challenge!

Extreme conditions, all over the world—our tried and tested components and systems give you endless possibilities.

Find the best product for your specific use:

www.zimmer-group.de

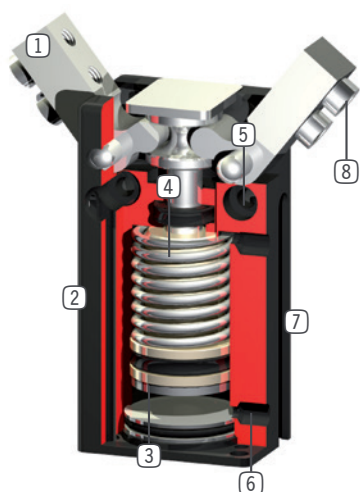
HOW TO ORDER CORRECTLY

- ▶ The product order numbers are arranged according to this diagram:

Order no.	MGW803N	<input type="checkbox"/>		
For external gripping, self-locking, spring closing		C		



BENEFITS IN DETAIL



- ① **Gripper jaw**
- individual gripper finger mounting
- ② **Robust, lightweight housing**
- Hard-coated aluminum alloy
- ③ **Position sensing**
- permanent magnet for direct monitoring of piston movement
- ④ **Integrated gripping force safety device**
- spring integrated into cylinder as energy storage (from size 803 upwards)
- ⑤ **Mounting and positioning**
- mounting possible from several sides for versatile positioning
- ⑥ **Energy supply**
- possible from several sides
- ⑦ **Sensing slot**
- mounting and positioning of magnetic field sensors
- ⑧ **Removable centering sleeves**
- quick and economical positioning of the gripper fingers

SERIES CHARACTERISTICS



Number of installation sizes	8
Stroke per jaw	37,5°
Gripping force	5 N - 325 N
Weight	0,01 kg - 0,45 kg
AP class	2



10 million maintenance-free cycles (max.)



Spring closing C



IP30



Magnetic field sensor