

2-JAW ANGULAR GRIPPERS

INSTALLATION SIZE MGW802

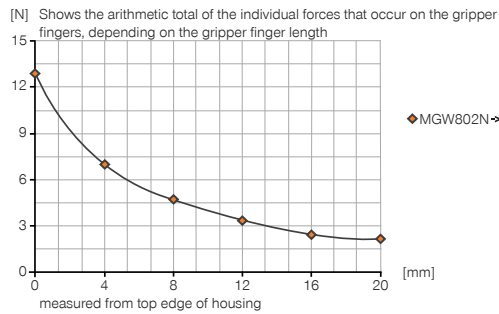
1

Installation size MGW802 / 2-Jaw Angular Grippers / pneumatic / Grippers

▶ PRODUCT SPECIFICATIONS

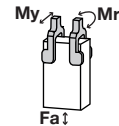


▶ Gripping force diagram



▶ Forces and moments

Displays static forces and moments that can also have an effect, besides the gripping force.



Mr [Nm]	0.3
My [Nm]	0.3
Fa [N]	60

▶ INCLUDED IN DELIVERY



Centering Disc

DST80200

▶ RECOMMENDED ACCESSORIES



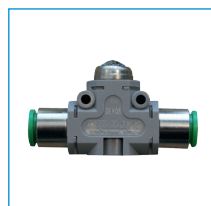
Straight Fittings - Barb Style Connection

GVM3



Angled Fittings - Barb Style Connection

WVM3



Quick Exhaust Valve

DEV04

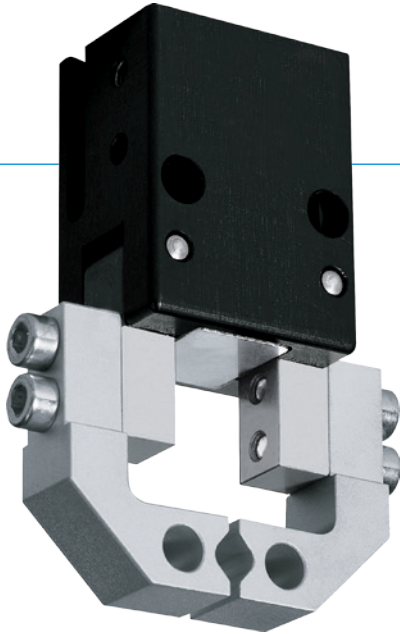
2-JAW ANGULAR GRIPPERS

SERIES MGW800

1

Series MGW800 / 2-Jaw Angular Grippers / pneumatic / Grippers

▶ PRODUCT ADVANTAGES



“The economical”

▶ Concentration on the essentials

The most economic type of gripping: This is how you reduce your production costs

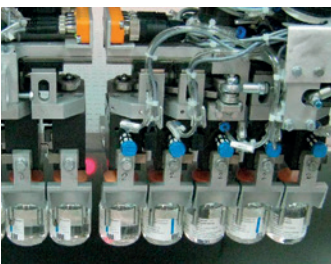
▶ High moment load

The optimally designed angular gear box provides the highest durability for your application

▶ Failure-free continuous operation

Our uncompromising „Made in Germany“ quality guarantees up to 10 million maintenance-free cycles

▶ THE BEST PRODUCT FOR YOUR APPLICATION



▶ Our products welcome the challenge!

Extreme conditions, all over the world—our tried and tested components and systems give you endless possibilities.

Find the best product for your specific use:

www.zimmer-group.de

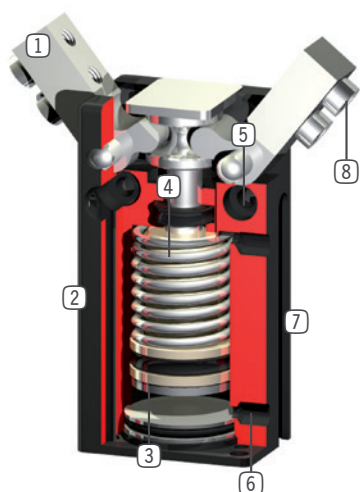
HOW TO ORDER CORRECTLY

- ▶ The product order numbers are arranged according to this diagram:

Order no.	MGW803N	<input type="checkbox"/>		
For external gripping, self-locking, spring closing		C		



BENEFITS IN DETAIL



- ① **Gripper jaw**
 - individual gripper finger mounting
- ② **Robust, lightweight housing**
 - Hard-coated aluminum alloy
- ③ **Position sensing**
 - permanent magnet for direct monitoring of piston movement
- ④ **Integrated gripping force safety device**
 - spring integrated into cylinder as energy storage (from size 803 upwards)
- ⑤ **Mounting and positioning**
 - mounting possible from several sides for versatile positioning
- ⑥ **Energy supply**
 - possible from several sides
- ⑦ **Sensing slot**
 - mounting and positioning of magnetic field sensors
- ⑧ **Removable centering sleeves**
 - quick and economical positioning of the gripper fingers

SERIES CHARACTERISTICS



Number of installation sizes	8
Stroke per jaw	37,5°
Gripping force	5 N - 325 N
Weight	0,01 kg - 0,45 kg
AP class	2



10 million maintenance-free cycles (max.)



Spring closing C



IP30



Magnetic field sensor