

NEEDLE GRIPPER

INSTALLATION SIZE SCH20

1

Installation size SCH20 / Needle gripper / pneumatic / Grippers

▶ PRODUCT SPECIFICATIONS



▶ INCLUDED IN DELIVERY



Spare needle

CNAD00200



Pneumatic face hose

PYA

▶ RECOMMENDED ACCESSORIES



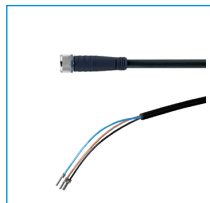
Magnetic field sensor
Straight Cable 5 m

MFS204KHC



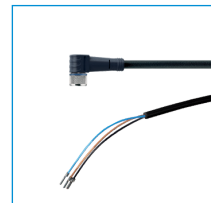
Magnetic field sensor
Straight Cable 0,3 m -
Connector M8

MFS204SKHC



Plug-in connector Straight
Cable 5m - Socket M8
(female)

KAG500



Plug-in connector Angled
Cable 5m - Socket M8
(female)

KAW500



Plug-in connector
customizable Straight -
Connector M8

S8-G-3

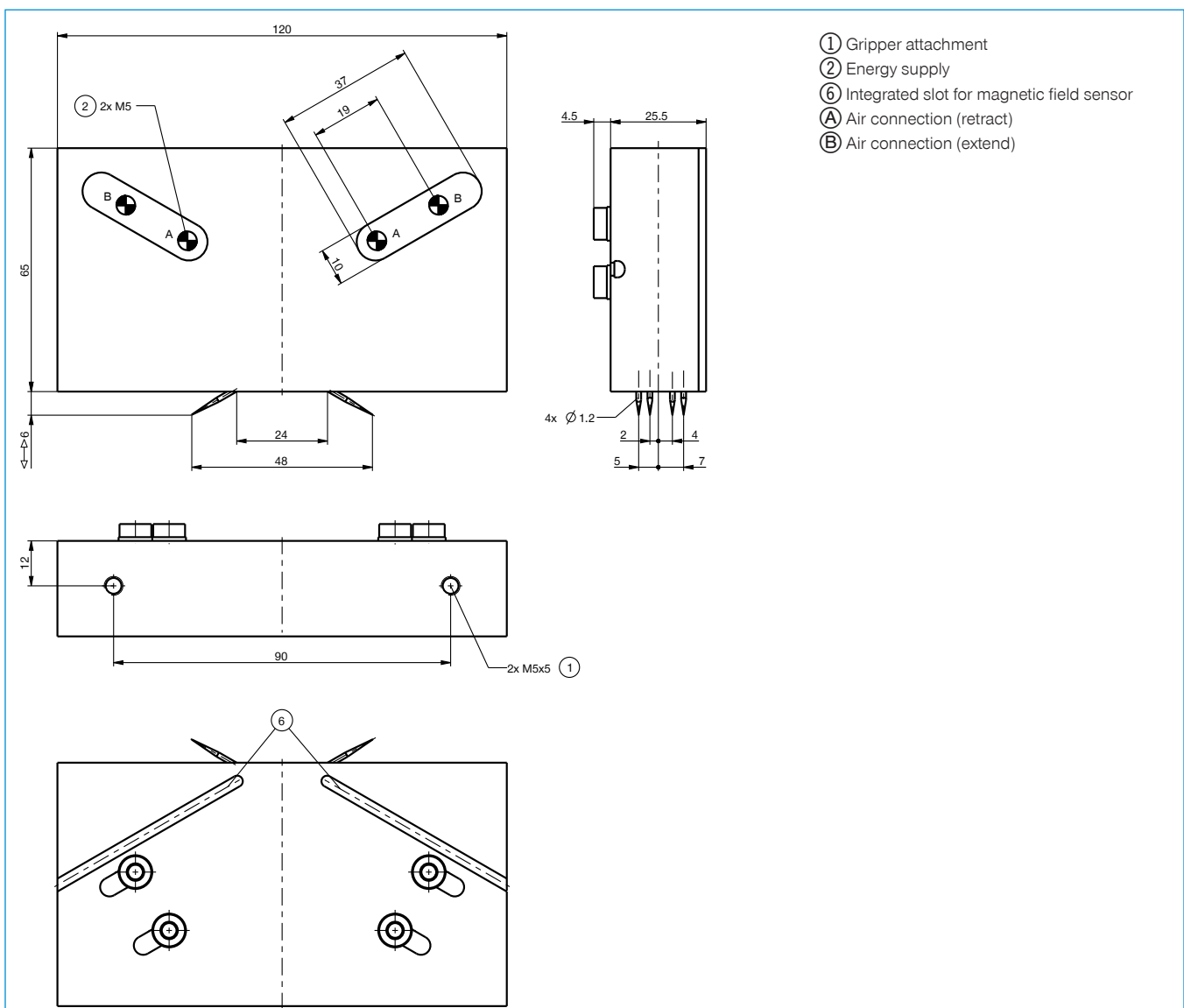


Plug-in connector customiz-
able Straight - Connector M12

S12-G-3

Order no.	Technical Data*
Needle stroke adjustable min. [mm]	0
Needle stroke adjustable max. [mm]	6
Number of needles [Pice]	4
Needle diameter [mm]	1.2
Retract time / Extend time [s]	0.02
Repetition accuracy +/- [mm]	0.05
Operating pressure min. [bar]	4
Operating pressure max. [bar]	8
Operating temperature min. [°C]	5
Operating temperature max. [°C]	+80
Air volume per cycle [cm ³]	5
Weight [kg]	0.35

*All data measured at 6 bar



NEEDLE GRIPPER SERIES SCH

1

Series SCH / Needle gripper / pneumatic / Grippers

▶ PRODUCT ADVANTAGES



▶ **Smooth stroke configuration**

Adjust the needle stroke individually and smoothly via the direct needle setting

▶ **Flat structure**

Due to its compact design, you save precious space in your machine

▶ **Query about magnetic field sensor technology**

Detecting the end position allows you to have faster cycle times and an integrated control system

▶ THE BEST PRODUCT FOR YOUR APPLICATION



▶ **Our products welcome the challenge!**

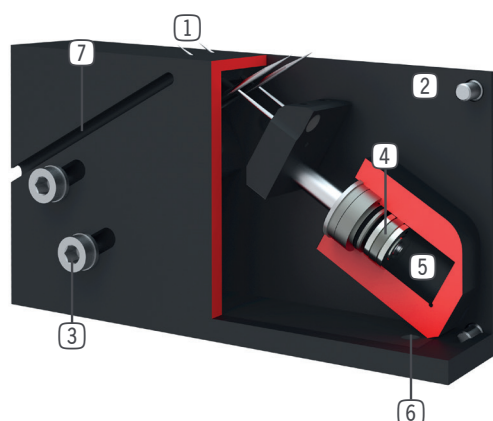
Extreme conditions, all over the world—our tried and tested components and systems give you endless possibilities.

Find the best product for your specific use:

www.zimmer-group.de



► BENEFITS IN DETAIL



- ① **Extending needles**
 - gripping by penetration
- ② **Robust, lightweight housing**
 - Hard-coated aluminum alloy
- ③ **Stroke adjustment**
 - by shifting in an elongated hole
- ④ **Drive**
 - two double-acting pneumatic cylinders
- ⑤ **Energy supply**
- ⑥ **Mounting and positioning**
- ⑦ **Sensing slot**
 - mounting and positioning of magnetic field sensors

► FURTHER INFORMATION IS AVAILABLE ONLINE



► **Technical Information**

All information just a click away at: www.zimmer-group.com

Find data, illustrations, 3-D models and operating instructions for your installation size using the order number for your desired product.

Quick, clear and always up-to-date.

