

EXTERNAL GRIPPER

INSTALLATION SIZE RG10-60

1

▶ PRODUCT SPECIFICATIONS



▶ RECOMMENDED ACCESSORIES



Straight Fittings - Quick
Connect Style

GVM5

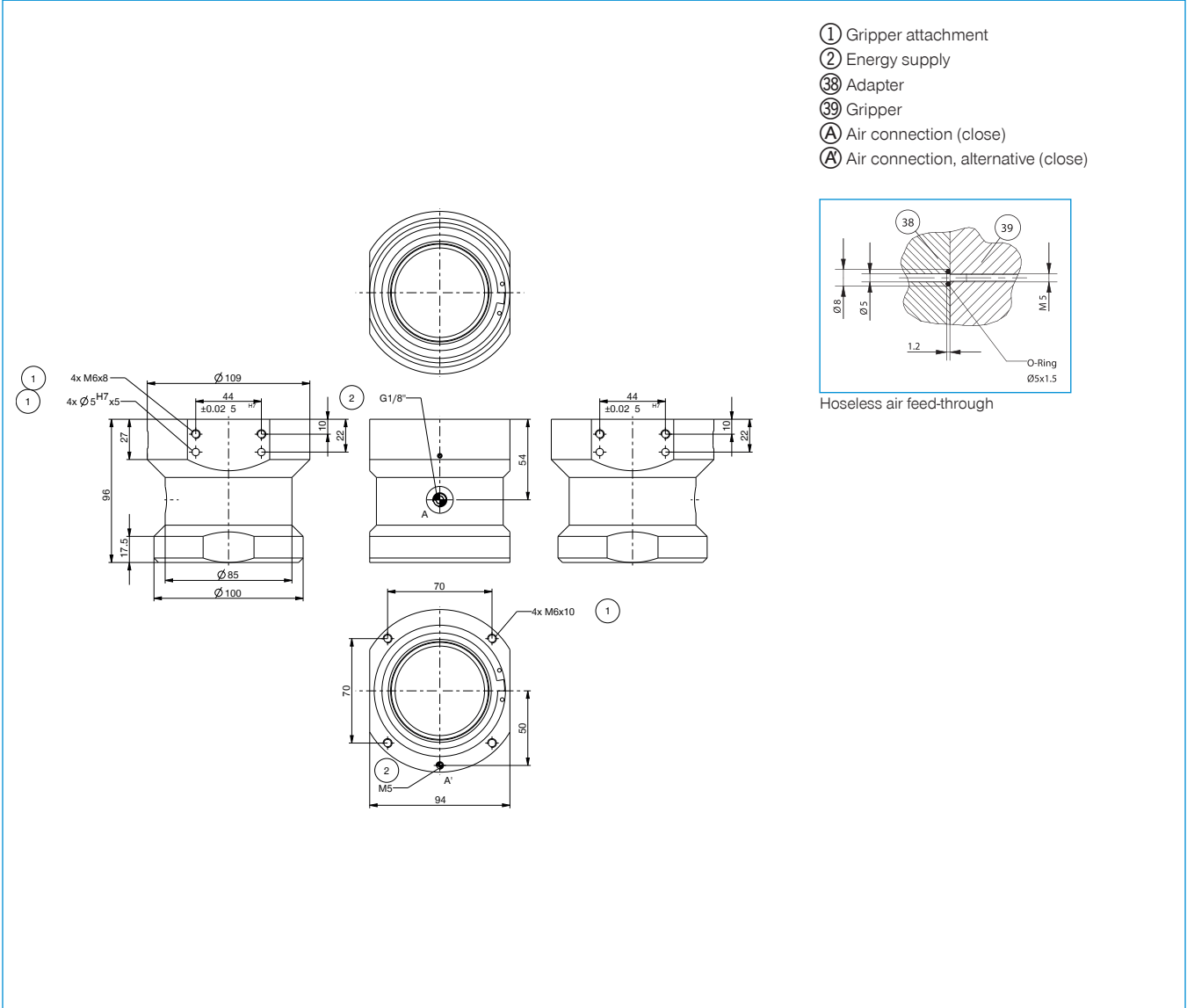


Quick Exhaust Valve

DEV04

Order no.	▶ Technical Data*
Grip diameter min. [mm]	10
Gripping diameter max. [mm]	58
Gripping force in closing [N]	1000
Closing time [s]	0.1
Opening time [s]	0.1
Operating pressure min. [bar]	1
Operating pressure max. [bar]	3
Operating temperature min. [°C]	5
Operating temperature max. [°C]	+80
Air volume per cycle [cm ³]	33
Weight [kg]	0.85

*All data measured at 3 bar



EXTERNAL GRIPPER SERIES RG

1

Series RG / External gripper / pneumatic / Grippers

▶ PRODUCT ADVANTAGES



▶ **Surface protection with rubber knobs**

Continuously protect the surface of your workpieces and minimise rejections in the process

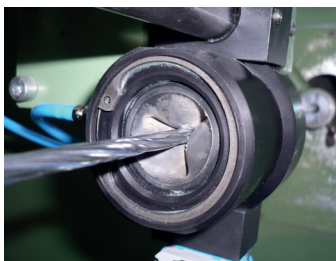
▶ **Secure hold**

The coefficient of friction ensures your workpiece stays held reliably, even under high dynamics

▶ **Direct drive**

The control system with only one pneumatic line reduces installation effort and interference contours

▶ THE BEST PRODUCT FOR YOUR APPLICATION



▶ **Our products welcome the challenge!**

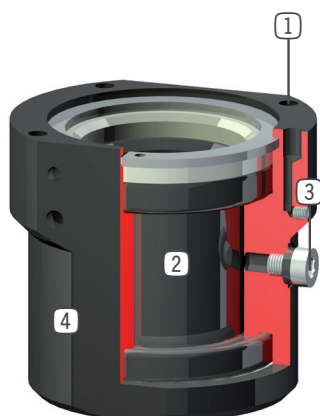
Extreme conditions, all over the world—our tried and tested components and systems give you endless possibilities.

Find the best product for your specific use:

www.zimmer-group.de



► BENEFITS IN DETAIL



- ① **Mounting and positioning**
- ② **Drive**
 - direct via rubber membrane
- ③ **Energy supply**
 - possible from several sides
- ④ **Robust, lightweight housing**
 - Hard-coated aluminum alloy

► FURTHER INFORMATION IS AVAILABLE ONLINE



► **Technical Information**

All information just a click away at: www.zimmer-group.com

Find data, illustrations, 3D models and operating instructions for your installation size using the order number for your desired product.

Quick, clear and always up-to-date.

