

# 2-JAW PARALLEL GRIPPERS WITH LONG STROKE INSTALLATION SIZE MGH8350

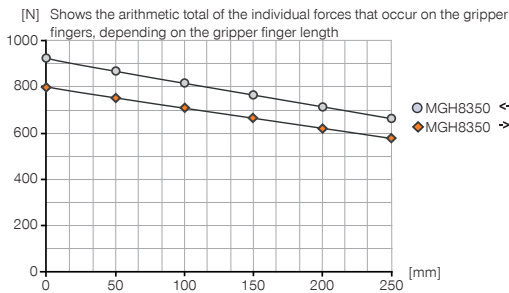
1

Installation size MGH8350 / 2-Jaw Parallel Grippers with Long Stroke / pneumatic / Grippers

## ▶ PRODUCT SPECIFICATIONS

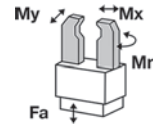


### ▶ Gripping force diagram



### ▶ Forces and moments

Displays static forces and moments that can also have an effect, besides the gripping force.



Mr [Nm]	130
Mx [Nm]	130
My [Nm]	98
Fa [N]	1300

## ▶ INCLUDED IN DELIVERY



Centering Disc

DST41600

## ▶ RECOMMENDED ACCESSORIES



Attachment Kit for Inductive Proximity Switch

ANS0024



Inductive proximity switch - Cable 5 m

NJ8-E2



Inductive proximity switch - Connector M8

NJ8-E2S



Magnetic field sensor Angled Cable 5 m

MFS103KHC



Magnetic field sensor Angled Cable 0,3 m - Connector M8

MFS103SKHC



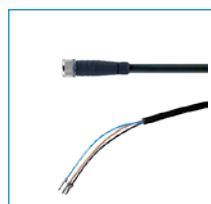
Magnetic field sensor Straight Cable 5 m

MFS204KHC



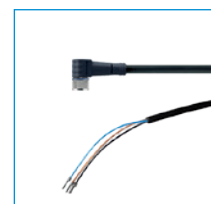
Magnetic field sensor Straight Cable 0,3 m - Connector M8

MFS204SKHC



Plug-in connector Straight Cable 5m - Socket M8 (female)

KAG500



Plug-in connector Angled Cable 5m - Socket M8 (female)

KAW500

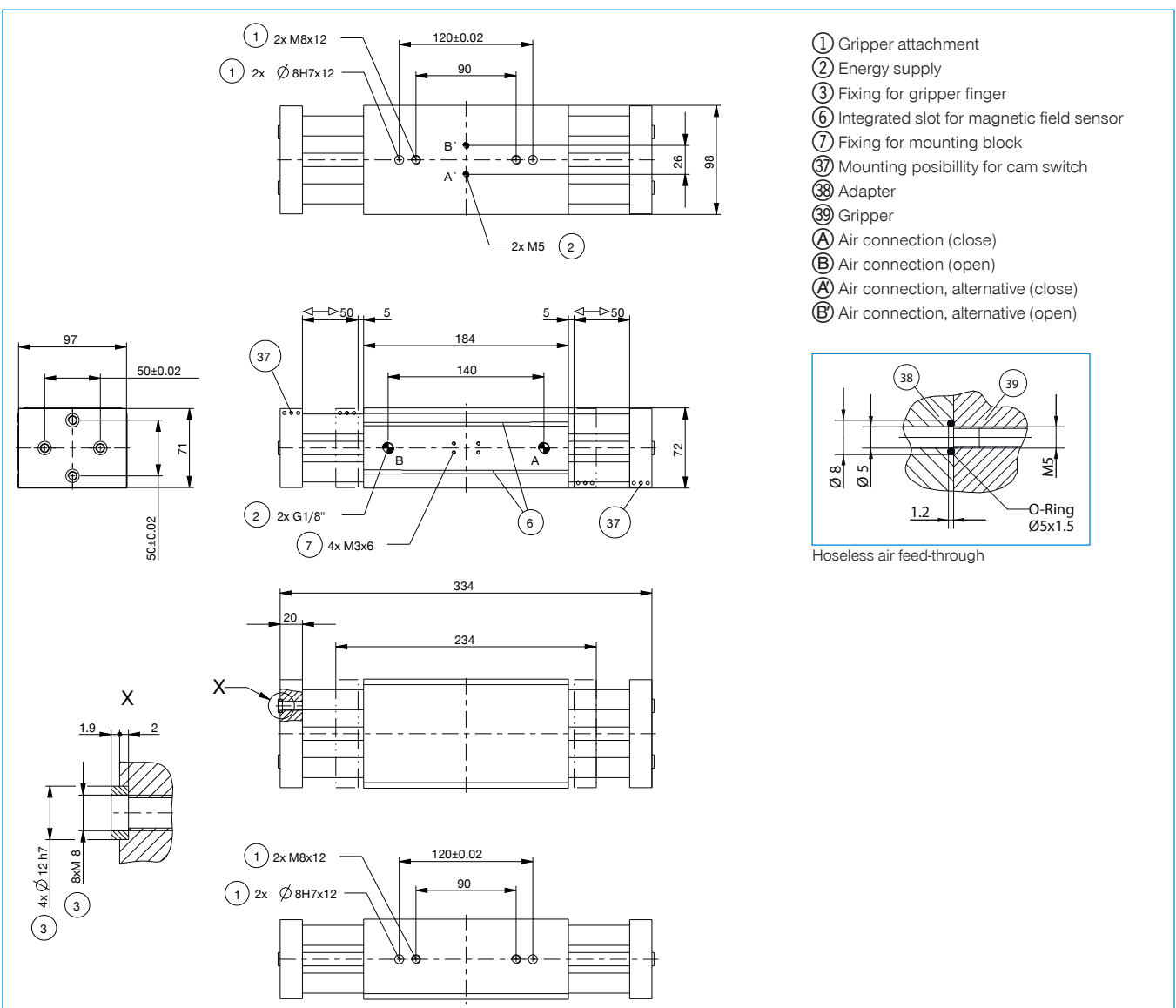


Straight Fittings - Quick Connect Style

GV1-8X6

► Technical Data*	
<b>Order no.</b>	<b>MGH8350</b>
Stroke per jaw [mm]	50
Gripping force in closing [N]	800
Gripping force in opening [N]	910
Closing time [s]	0.3
Opening time [s]	0.25
Repetition accuracy +/- [mm]	0.05
Operating pressure min. [bar]	3
Operating pressure max. [bar]	8
Operating temperature min. [°C]	5
Operating temperature max. [°C]	+80
Air volume per cycle [cm³]	170
Weight [kg]	5.1

\*All data measured at 6 bar

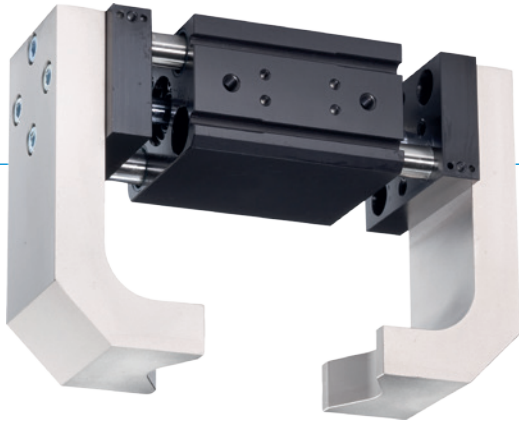


- ① Gripper attachment
- ② Energy supply
- ③ Fixing for gripper finger
- ⑥ Integrated slot for magnetic field sensor
- ⑦ Fixing for mounting block
- ③⑦ Mounting possibility for cam switch
- ③⑧ Adapter
- ③⑨ Gripper
- A Air connection (close)
- B Air connection (open)
- A Air connection, alternative (close)
- B Air connection, alternative (open)

# 2-JAW PARALLEL GRIPPERS WITH LONG STROKE SERIES MGH8000

1

## ▶ PRODUCT ADVANTAGES



### “The compact”

#### ▶ Reduced interference contours

Low-profile designs and versatile screw connection options enable simple integration into your design

#### ▶ Dirt protection

Using the scrapers on the guides, you can reliably use the gripper even under the harshest conditions

#### ▶ Failure-free continuous operation

Our uncompromising „Made in Germany“ quality guarantees up to 10 million maintenance-free cycles

## ▶ THE BEST PRODUCT FOR YOUR APPLICATION



#### ▶ Our products welcome the challenge!

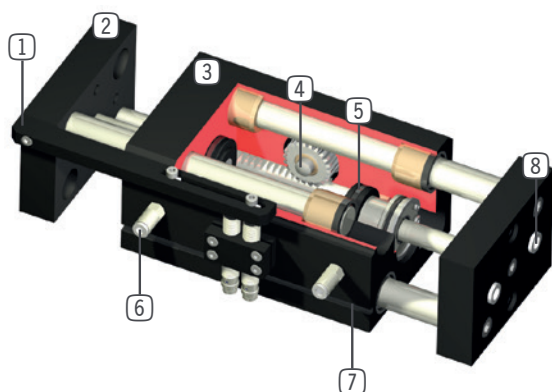
Extreme conditions, all over the world—our tried and tested components and systems give you endless possibilities.

Find the best product for your specific use:

[www.zimmer-group.de](http://www.zimmer-group.de)

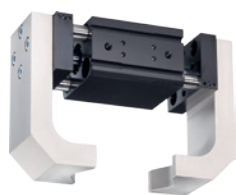


## ► BENEFITS IN DETAIL



- ① **Attachment kit (cam switch and clamping block)**
  - for sensing position by means of proximity switch (optional feature)
- ② **Gripper jaw**
  - individual gripper finger mounting
- ③ **Robust, lightweight housing**
  - Hard-coated aluminum alloy
- ④ **Synchronization**
  - via rack and pinion
- ⑤ **Drive**
  - two double-acting pneumatic cylinders
- ⑥ **Energy supply**
  - possible from several sides
- ⑦ **Integrated groove**
  - mounting and positioning of magnetic field sensors
- ⑧ **Removable centering sleeves**
  - quick and economical positioning of the gripper fingers

## ► SERIES CHARACTERISTICS



Number of installation sizes	3
Stroke per jaw	10 mm - 100 mm
Gripping force	60 N - 910 N
Weight	0,35 kg - 7,3 kg
AP class	2



10 million maintenance-free cycles (max.)



Inductive sensor



IP64



Magnetic field sensor