

INTERNAL GRIPPER

INSTALLATION SIZE LG20-30

1

Installation size LG20-30 / Internal gripper / pneumatic / Grippers

▶ PRODUCT SPECIFICATIONS



▶ INCLUDED IN DELIVERY



Collet Chuck

DST20300



Collet chuck V-version

DST20301

▶ RECOMMENDED ACCESSORIES

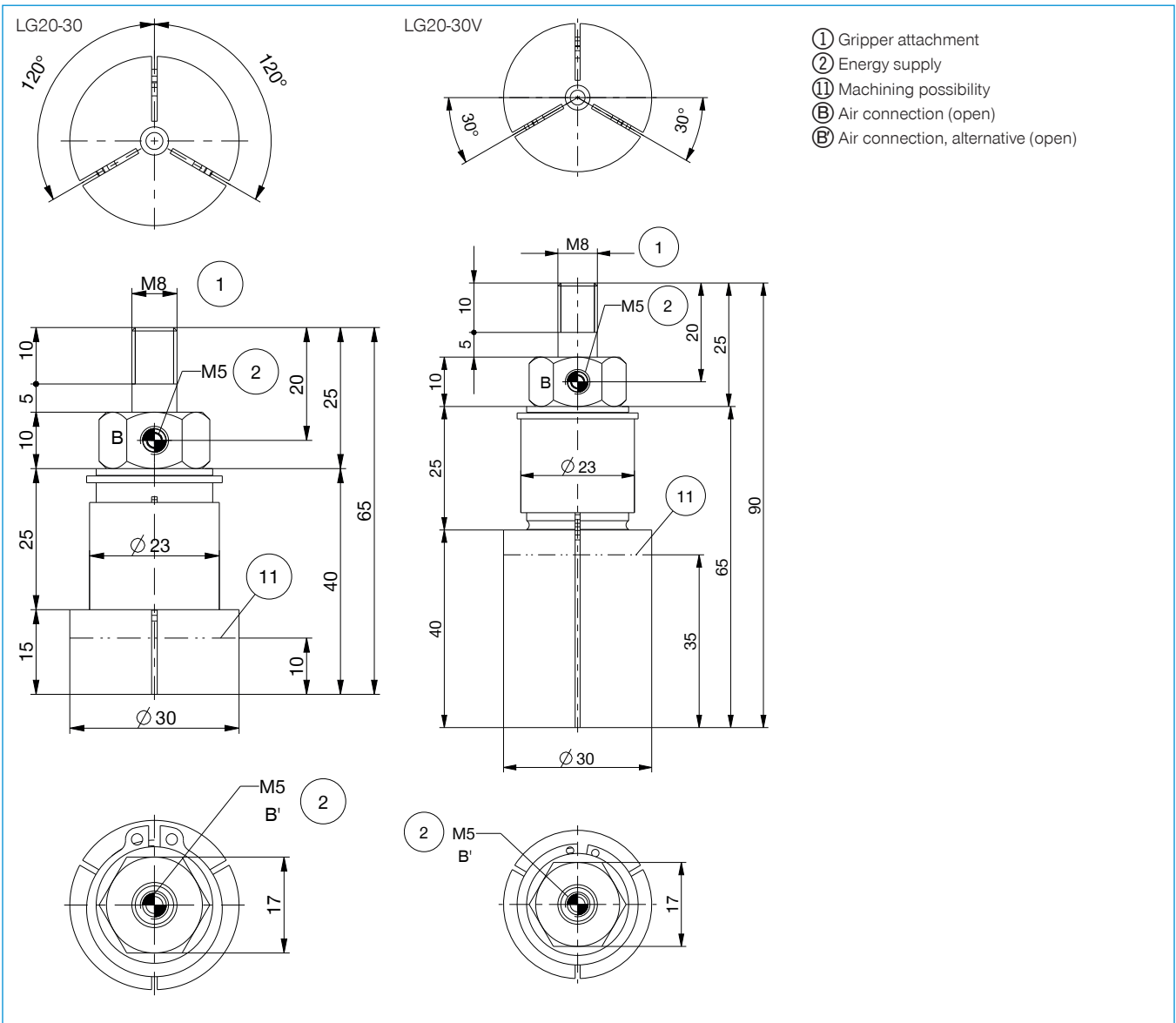


Straight Fittings - Quick
Connect Style

GVM5

Order no.	▶ Technical Data*	
	LG20-30	LG20-30V
Total stroke in Ø [mm]	1	1
Grip diameter min. [mm]	5	5
Gripping moment in opening [Nm]	2	2
Closing time [s]	0.1	0.1
Opening time [s]	0.1	0.1
Operating pressure min. [bar]	4	4
Operating pressure max. [bar]	6	6
Operating temperature min. [°C]	5	5
Operating temperature max. [°C]	+60	+60
Air volume per cycle [cm ³]	3	3
Weight [kg]	0.16	0.29
Machining length of the collet max. [mm]	10	35

*All data measured at 6 bar



INTERNAL GRIPPER SERIES LGS

1

Series LGS / Internal gripper / pneumatic / Grippers

▶ PRODUCT ADVANTAGES



▶ Concentration on the essentials

The most economic type of gripping: This is how you reduce your production costs

▶ Individually machinable clamping jaws

You have never adjusted a gripper to your application this quickly and easily

▶ Direct drive

The control system with only one pneumatic line reduces installation effort and interference contours

▶ THE BEST PRODUCT FOR YOUR APPLICATION



▶ Our products welcome the challenge!

Extreme conditions, all over the world—our tried and tested components and systems give you endless possibilities.

Find the best product for your specific use:

www.zimmer-group.de

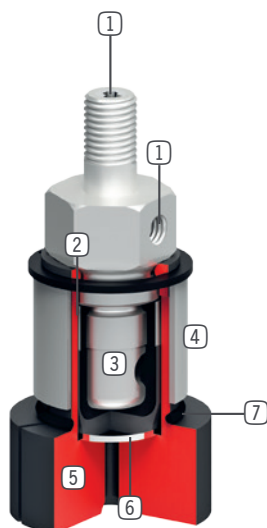
HOW TO ORDER CORRECTLY

- ▶ The product order numbers are arranged according to this diagram:

Order no.	LG4-20	<input type="checkbox"/>		
extended collet chuck		V		



► BENEFITS IN DETAIL



- ① **Energy supply**
 - axial and radial possible
- ② **Protective membrane**
 - between collet chuck and function membrane
- ③ **Direct drive with membrane**
 - only one pneumatic line required
- ④ **Stroke limit**
 - prevents damage by overstretching with empty strokes
- ⑤ **Collet chuck**
 - for individual machining
- ⑥ **Steel protective cover**
 - protects the membrane against puncturing
- ⑦ **O-ring for backstroke**
 - gripper close movement after venting

► FURTHER INFORMATION IS AVAILABLE ONLINE



► **Technical Information**

All information just a click away at: www.zimmer-group.com

Find data, illustrations, 3D models and operating instructions for your installation size using the order number for your desired product.

Quick, clear and always up-to-date.

