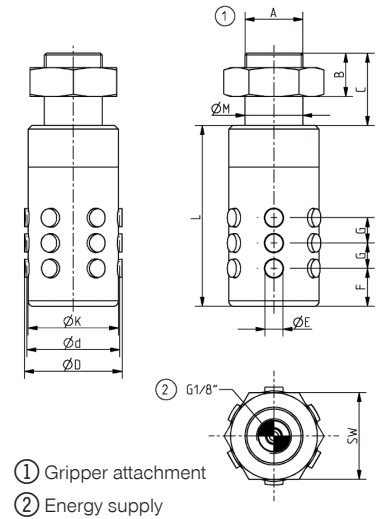


# INTERNAL GRIPPER SERIES LGG

1

## ▶ PRODUCT SPECIFICATIONS



## ▶ RECOMMENDED ACCESSORIES



Straight Fittings - Quick Connect Style

GV1-8X6



Quick Exhaust Valve

DEV06

### ▶ Technical Data\*

| Order no.                               | LG15-18 | LG18-22 | LG22-26 | LG26-30 | LG30-35 |
|---|---------|---------|---------|---------|---------|
| Total stroke in Ø [mm]                  | 2.5     | 4       | 4       | 4       | 5       |
| Clamping diameter d min. [mm]           | 15      | 17.5    | 21.5    | 25.5    | 29.5    |
| Clamping diameter D max. [mm]           | 17.5    | 21.5    | 25.5    | 29.5    | 34.5    |
| Gripping force in extraction [N]        | 100     | 100     | 150     | 150     | 200     |
| Retract time / Extend time [s]          | 0.2     | 0.2     | 0.2     | 0.2     | 0.2     |
| Repetition accuracy +/- [mm]            | 0.05    | 0.05    | 0.05    | 0.05    | 0.05    |
| Operating pressure min. [bar]           | 2       | 2       | 2       | 2       | 2       |
| Operating pressure max. [bar]           | 6       | 6       | 6       | 6       | 6       |
| Air volume per cycle [cm <sup>3</sup> ] | 1       | 1       | 1       | 2       | 3       |
| Operating temperature min. [°C]         | 5       | 5       | 5       | 5       | 5       |
| Operating temperature max. [°C]         | +80     | +80     | +80     | +80     | +80     |
| A                                       | M14X1.5 | M14X1.5 | M14X1.5 | M16X1   | M16X1   |
| B [mm]                                  | 10      | 10      | 12      | 12      | 12      |
| C [mm]                                  | 18      | 18      | 20      | 20      | 20      |
| E Ø [mm]                                | 5       | 5       | 5       | 6       | 7       |
| F [mm]                                  | 10.5    | 10.5    | 11.5    | 10.5    | 11.5    |
| G [mm]                                  | 7       | 7       | 7       | 7       | 8       |
| K Ø [mm]                                | 14.5    | 17      | 21      | 25      | 29      |
| L [mm]                                  | 42      | 42      | 50      | 50      | 52      |
| M Ø [mm]                                | 14h7    | 14h7    | 14h7    | 16h7    | 16h7    |
| Weight [kg]                             | 0.031   | 0.035   | 0.051   | 0.071   | 0.09    |

\*All data measured at 6 bar

# INTERNAL GRIPPER SERIES LGG

1

Series LGG / Internal gripper / pneumatic / Grippers

## ▶ PRODUCT ADVANTAGES



### ▶ **Surface protection with rubber knobs**

Continuously protect the surface of your workpieces and minimise rejections in the process

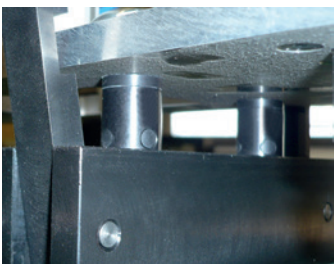
### ▶ **Secure hold**

The coefficient of friction ensures your workpiece stays held reliably, even under high dynamics

### ▶ **Direct drive**

The control system with only one pneumatic line reduces installation effort and interference contours

## ▶ THE BEST PRODUCT FOR YOUR APPLICATION



### ▶ **Our products welcome the challenge!**

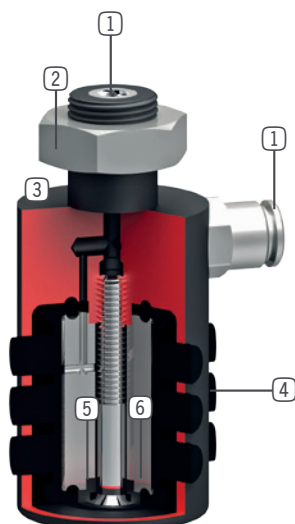
Extreme conditions, all over the world—our tried and tested components and systems give you endless possibilities.

Find the best product for your specific use:

[www.zimmer-group.de](http://www.zimmer-group.de)



## ► BENEFITS IN DETAIL



- ① **Energy supply**
  - radial
  - axial and radial from LG35-39
- ② **Fixing**
  - by fit, thread and locknut
- ③ **Robust, lightweight housing**
  - Hard-coated aluminum alloy
  - no overstretching of the rubber membrane at empty stroke
- ④ **Direct gripping with rubber knobs**
  - high retention force due to good friction value, approx. 0.5 with rubber
- ⑤ **Gripping with single-acting rubber membranes**
  - low actuate effort
  - reset when venting
  - adjustable force with operating pressure (2 - 6 bar)
- ⑥ **Inner core**
  - saves air volume and cycle time (from LG35-39)

## ► FURTHER INFORMATION IS AVAILABLE ONLINE



### ► Technical Information

All information just a click away at: [www.zimmer-group.com](http://www.zimmer-group.com)

Find data, illustrations, 3D models and operating instructions for your installation size using the order number for your desired product.

Quick, clear and always up-to-date.

