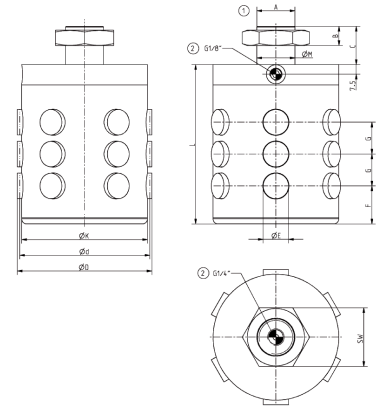


INTERNAL GRIPPER SERIES LGG

1

▶ PRODUCT SPECIFICATIONS



- ① Gripper attachment
- ② Energy supply

▶ RECOMMENDED ACCESSORIES



Straight Fittings - Quick Connect Style

GV1-8X6



Quick Exhaust Valve

DEV06

▶ Technical Data*

Order no.	LG100-110	LG110-120	LG120-135
Total stroke in Ø [mm]	11	11	16
Clamping diameter d min. [mm]	99.5	109.5	119.5
Clamping diameter D max. [mm]	110.5	120.5	135.5
Gripping force in extraction [N]	2800	3500	3500
Retract time / Extend time [s]	0.4	0.4	0.4
Repetition accuracy +/- [mm]	0.05	0.05	0.05
Operating pressure min. [bar]	2	2	2
Operating pressure max. [bar]	6	6	6
Air volume per cycle [cm ³]	150	200	250
Operating temperature min. [°C]	5	5	5
Operating temperature max. [°C]	+80	+80	+80
A	M30X1.5	M30X1.5	M30X1.5
B [mm]	15	15	15
C [mm]	30	30	30
E Ø [mm]	20	22	22
F [mm]	30	31	37
G [mm]	25	25	28
K Ø [mm]	99	109	119
L [mm]	120	130	145
M Ø [mm]	30h7	30h7	30h7
Weight [kg]	1.9	2.3	2.7

* All data measured at 6 bar

INTERNAL GRIPPER SERIES LGG

1

Series LGG / Internal gripper / pneumatic / Grippers

▶ PRODUCT ADVANTAGES



▶ **Surface protection with rubber knobs**

Continuously protect the surface of your workpieces and minimise rejections in the process

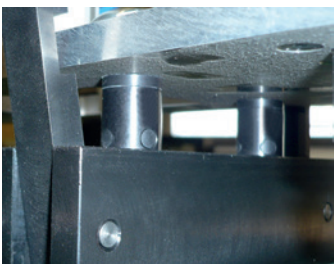
▶ **Secure hold**

The coefficient of friction ensures your workpiece stays held reliably, even under high dynamics

▶ **Direct drive**

The control system with only one pneumatic line reduces installation effort and interference contours

▶ THE BEST PRODUCT FOR YOUR APPLICATION



▶ **Our products welcome the challenge!**

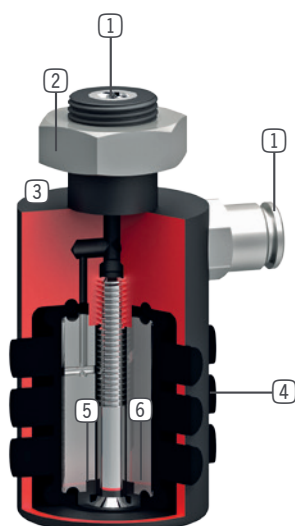
Extreme conditions, all over the world—our tried and tested components and systems give you endless possibilities.

Find the best product for your specific use:

www.zimmer-group.de



► BENEFITS IN DETAIL



- ① **Energy supply**
 - radial
 - axial and radial from LG35-39
- ② **Fixing**
 - by fit, thread and locknut
- ③ **Robust, lightweight housing**
 - Hard-coated aluminum alloy
 - no overstretching of the rubber membrane at empty stroke
- ④ **Direct gripping with rubber knobs**
 - high retention force due to good friction value, approx. 0.5 with rubber
- ⑤ **Gripping with single-acting rubber membranes**
 - low actuate effort
 - reset when venting
 - adjustable force with operating pressure (2 - 6 bar)
- ⑥ **Inner core**
 - saves air volume and cycle time (from LG35-39)

► FURTHER INFORMATION IS AVAILABLE ONLINE



► **Technical Information**

All information just a click away at: www.zimmer-group.com

Find data, illustrations, 3D models and operating instructions for your installation size using the order number for your desired product.

Quick, clear and always up-to-date.

