

INTERNAL GRIPPER

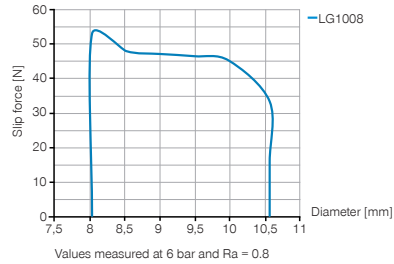
INSTALLATION SIZE LG1008

1

▶ PRODUCT SPECIFICATIONS



▶ Slip force diagram



▶ RECOMMENDED ACCESSORIES



Centering cone

DAL02350



Straight Fittings - Barb Style Connection

GVM3



Straight Fittings - Quick Connect Style

GVM5



Angled Fittings - Barb Style Connection

WVM3

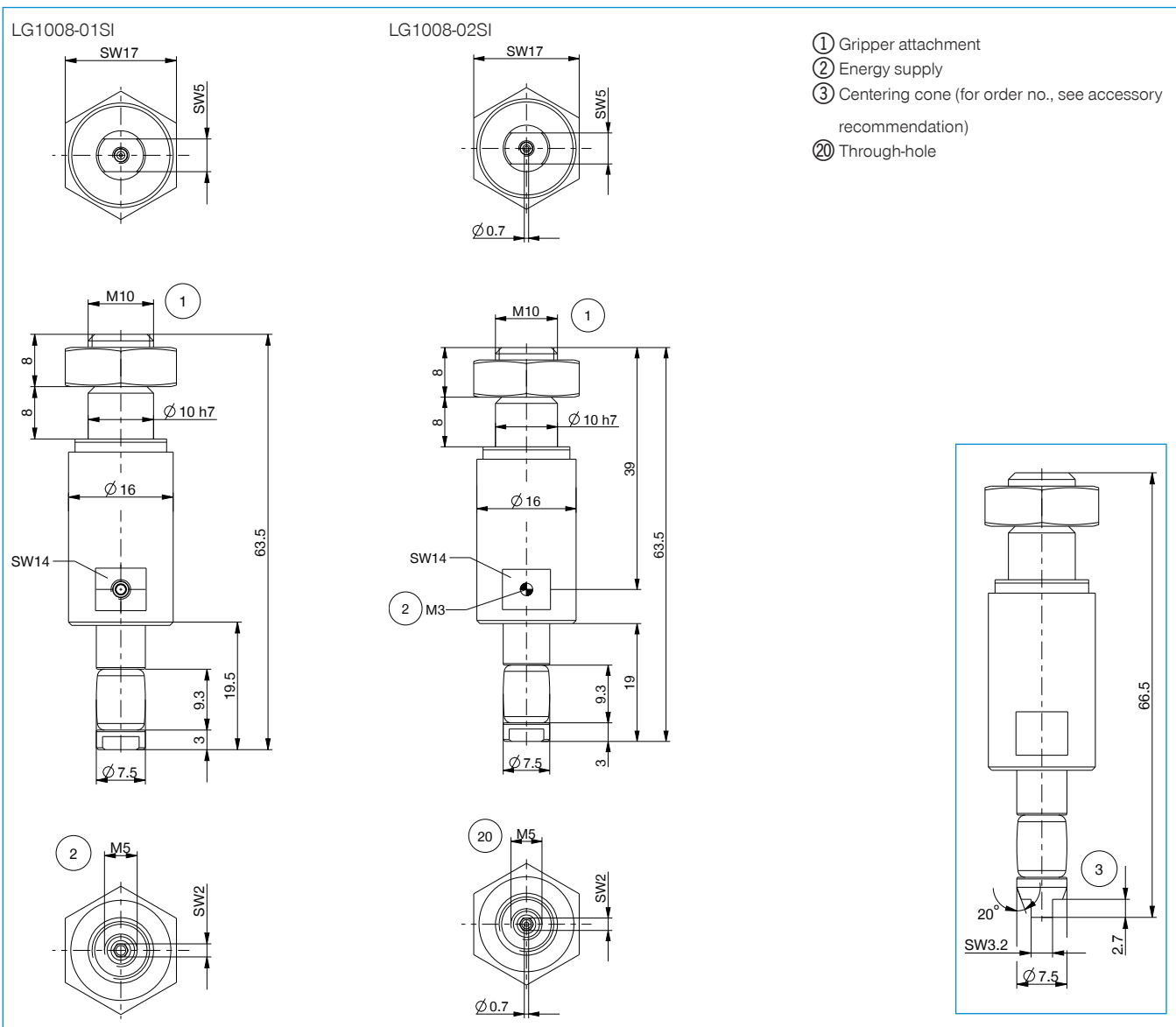


Angled Fittings - Quick Connect Style

WVM5

| Order no. | ▶ Technical Data* | |
|---|-------------------|-------------|
| | LG1008-01SI | LG1008-02SI |
| Operating temperature [°C] | 5 ... +80 | 5 ... +80 |
| Retract time / Extend time [s] | 0.2 | 0.2 |
| Gripping diameter max. [mm] | 10.5 | 10.5 |
| Gripping diameter min. [mm] | 8 | 8 |
| Total stroke in Ø [mm] | 2.5 | 2.5 |
| Slip force max. [N] | 53 | 53 |
| Operating pressure min. [bar] | 4 | 4 |
| Operating pressure max. [bar] | 6 | 6 |
| Operating temperature min. [°C] | 5 | 5 |
| Operating temperature max. [°C] | +80 | +80 |
| Air volume per cycle [cm ³] | 0.7 | 0.7 |
| Weight [kg] | 0.032 | 0.028 |

*All data measured at 6 bar



INTERNAL GRIPPER

SERIES LG1000

1

Series LG1000 / Internal gripper / pneumatic / Grippers

▶ PRODUCT ADVANTAGES



▶ Individually adjustable

The design of the gripper enables you to grip not only cylindrical gripping surfaces, but also conical and square ones with process reliability

▶ Integrated air or vacuum feedthrough

Use this option for applications such as leak tests, purging or vacuuming your part

▶ Surface protection provided by silicone membrane

In addition to covering a vast range of gripper hole diameters, the membrane provides ideal protection from damage

▶ THE BEST PRODUCT FOR YOUR APPLICATION



▶ Our products welcome the challenge!

Extreme conditions, all over the world—our tried and tested components and systems give you endless possibilities.

Find the best product for your specific use:

www.zimmer-group.de

HOW TO ORDER CORRECTLY

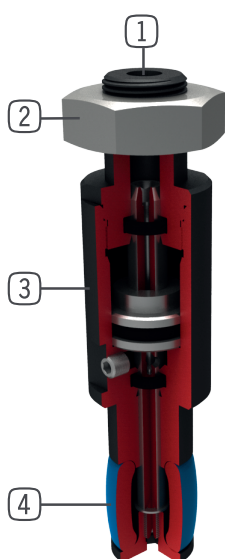
▶ The product order numbers are arranged according to this diagram:

| | | | | |
|------------------------------------|---------------|--------------------------|-----------|--|
| Order no. | LG1008 | <input type="checkbox"/> | SI | |
| Axial energy supply | | -01 | | |
| Radial energy supply, through-hole | | -02 | | |
| Silicone rubber membrane | | | | |



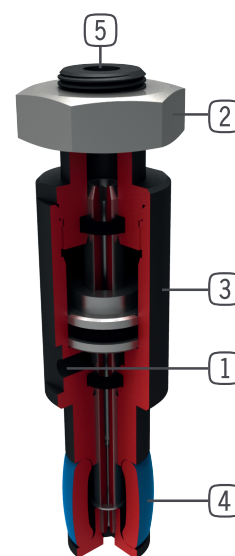
► BENEFITS IN DETAIL

Version-01



- ① **Energy supply**
- Axial (version-01) or radial (version-02)
- ② **Mounting and positioning**
- via fit, thread and lock nut
- ③ **Robust, lightweight housing**
- Hard-coated aluminum alloy
- ④ **Direct gripping with rubber membrane**
- High holding force due to high friction value
- reset when venting
- ⑤ **Through-hole**
- Compressed air or vacuum connection for cooling the workpieces or testing them for leaks (version-02)

Version-02



► SLIP FORCE DIAGRAM

