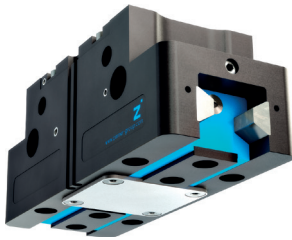


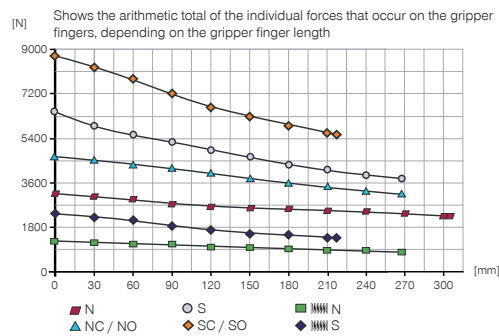
2-JAW PARALLEL GRIPPERS

INSTALLATION SIZE GPP5025

PRODUCT SPECIFICATIONS

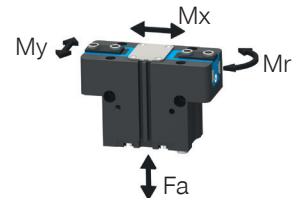


Gripping force diagram



Forces and moments

Displays static forces and moments that can also have an effect, besides the gripping force.



Mr [Nm]	180
Mx [Nm]	205
My [Nm]	225
Fa [N]	7500

TECHNICAL DATA

Order no.	Technical data					
	GPP5025N-00-A	GPP5025NC-00-A	GPP5025NO-00-A	GPP5025S-00-A	GPP5025SC-00-A	GPP5025SO-00-A
Stroke per jaw [mm]	25	25	25	14	14	14
Gripping force in closing [N]	3280	4510		6360	8730	
Gripping force in opening [N]	3490		4710	6760		9130
Gripping force secured by spring min. [N]		1220	1220		2370	2370
Closing time [s]	0.33	0.28	0.57	0.33	0.28	0.57
Opening time [s]	0.33	0.57	0.28	0.33	0.57	0.28
Permissible weight per jaw max [kg]	7	7	7	7	7	7
Length of the gripper fingers max. [mm]	310	265	265	265	220	220
Repetition accuracy +/- [mm]	0.02	0.02	0.02	0.02	0.02	0.02
Operating pressure min. [bar]	3	4	4	3	4	4
Operating pressure max. [bar]	8	7	7	8	7	7
Nominal operating pressure [bar]	6	6	6	6	6	6
Operating temperature [°C]	-10 ... +90	-10 ... +90	-10 ... +90	-10 ... +90	-10 ... +90	-10 ... +90
Air volume per cycle [cm³]	420	830	830	420	830	830
Protection to IEC 60529	IP64	IP64	IP64	IP64	IP64	IP64
Weight [kg]	6.1	7.65	7.65	6.1	7.65	7.65

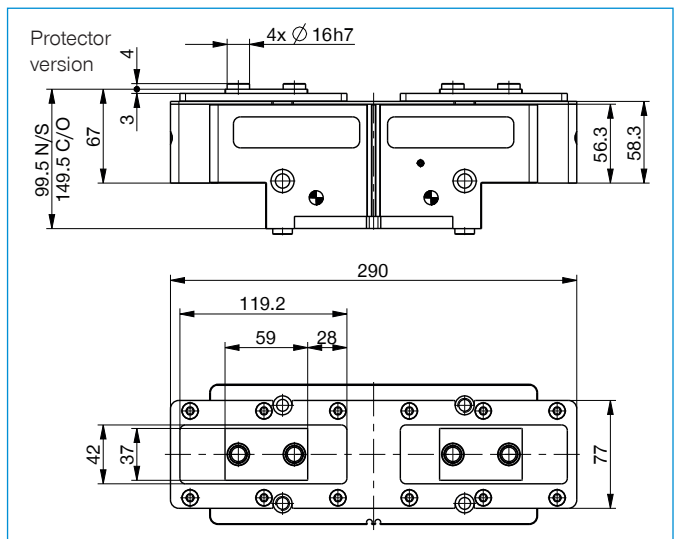
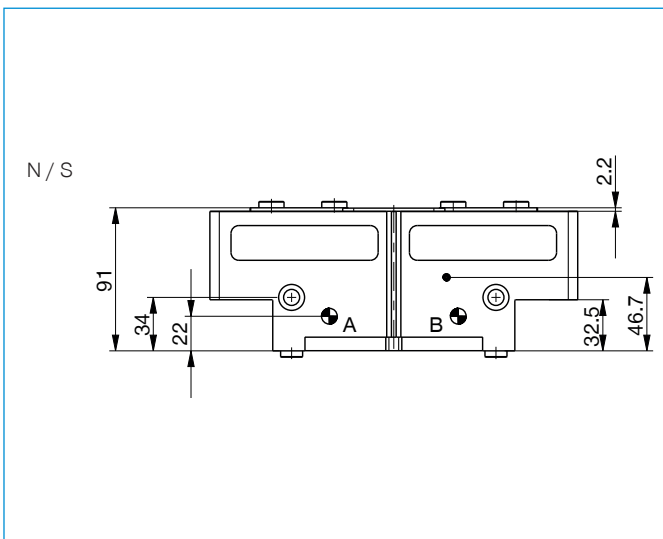
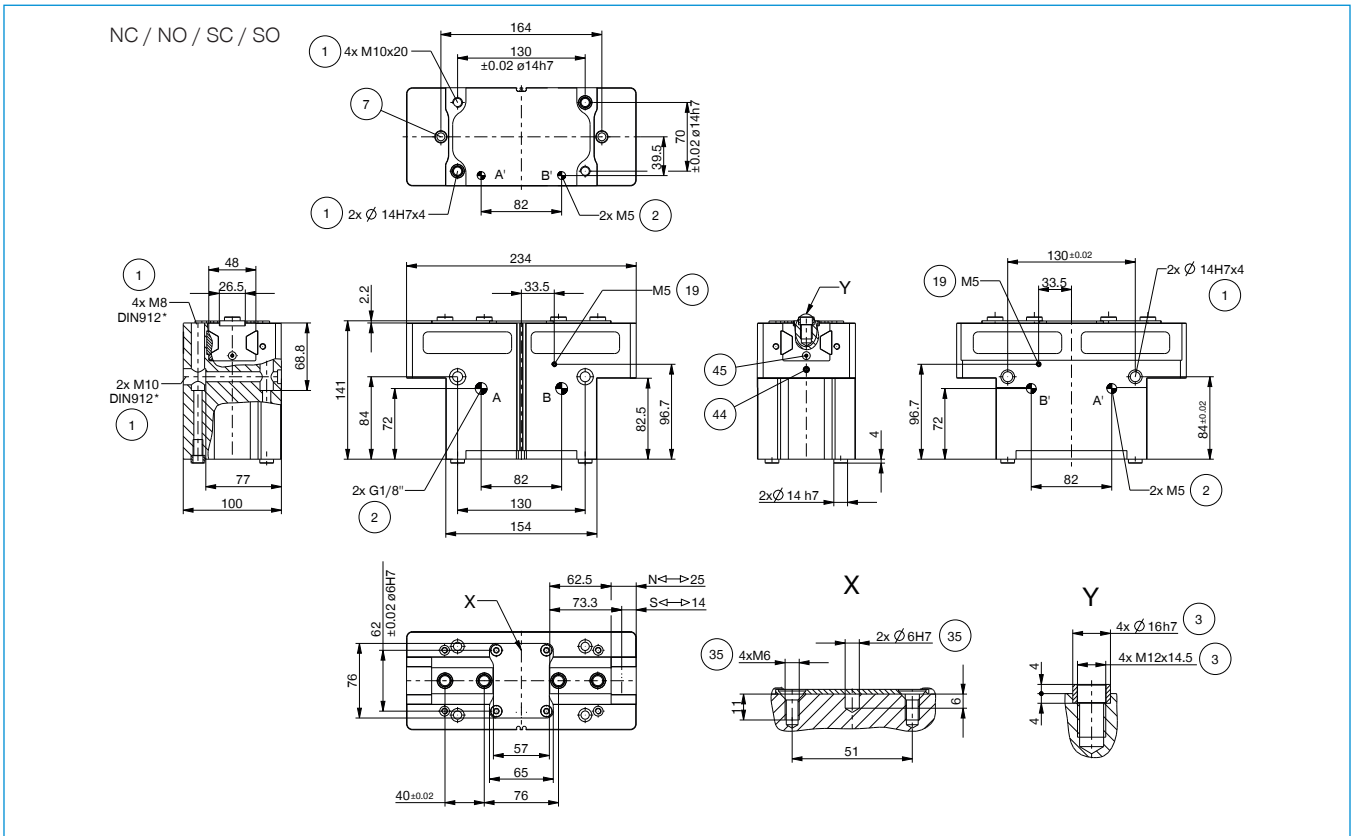
Order no.	Technical Data - High Temperature Version					
	GPP5025N-20-A	GPP5025NC-20-A	GPP5025NO-20-A	GPP5025S-20-A	GPP5025SC-20-A	GPP5025SO-20-A
Operating temperature [°C]	-10 ... +130	-10 ... +130	-10 ... +130	-10 ... +130	-10 ... +130	-10 ... +130

Order no.	Technical Data - Protector Version					
	GPP5025N-21-A	GPP5025NC-21-A	GPP5025NO-21-A	GPP5025S-21-A	GPP5025SC-21-A	GPP5025SO-21-A
Protection to IEC 60529	IP67 *	IP67 *	IP67 *	IP67 *	IP67 *	IP67 *
Weight [kg]	7.20	8.75	8.75	7.2	8.75	8.75

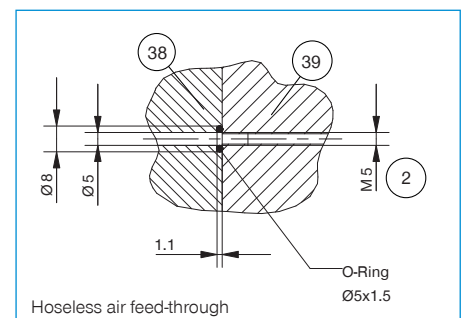
Order no.	Technical Data - High Temperature Protector Version					
	GPP5025N-24-A	GPP5025NC-24-A	GPP5025NO-24-A	GPP5025S-24-A	GPP5025SC-24-A	GPP5025SO-24-A
Operating temperature [°C]	-10 ... +130	-10 ... +130	-10 ... +130	-10 ... +130	-10 ... +130	-10 ... +130
Protection to IEC 60529	IP67 *	IP67 *	IP67 *	IP67 *	IP67 *	IP67 *
Weight [kg]	7.20	8.75	8.75	7.2	8.75	8.75

*with purged air (max. 0,5 bar)

TECHNICAL DRAWINGS



- ① Gripper attachment
- ② Energy supply
- ③ Fixing for gripper finger
- ⑥ Integrated slot for magnetic field sensor
- ⑦ Mounting block
- ⑱ Air purge connection option
- ⑳ Attachment option for customer-specific fittings
- ㉘ Adapter
- ㉙ Gripper
- ㉚ Clamp for sensor
- ㉛ Switch cam adjustment
- Ⓐ Air connection (close)
- Ⓑ Air connection (open)
- Ⓐ Air connection, alternative (close)
- Ⓑ Air connection, alternative (open)

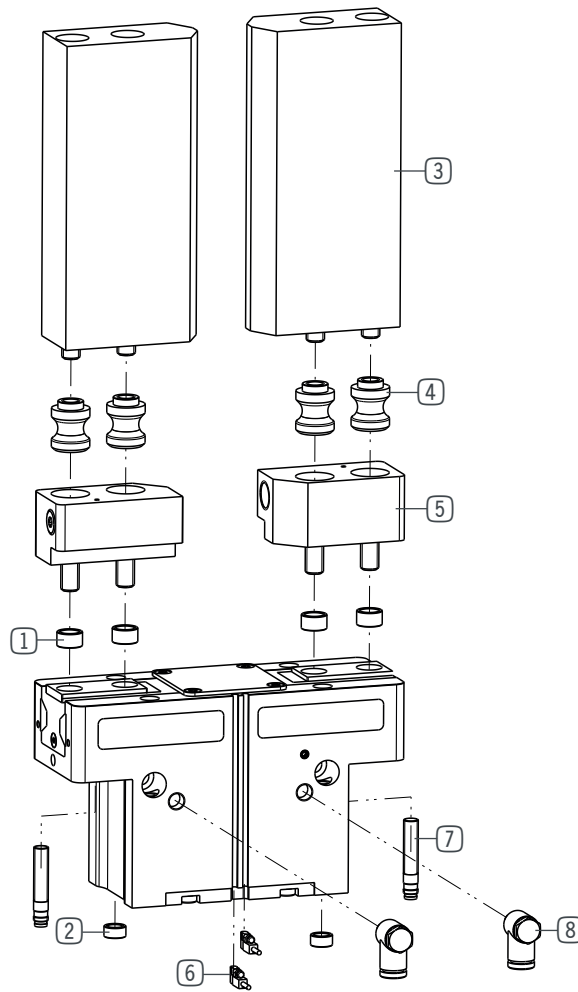


2-JAW PARALLEL GRIPPERS

INSTALLATION SIZE GPP5025

1

Installation size GPP5025 / 2-Jaw Parallel Grippers / pneumatic / Grippers



▶ INCLUDED IN DELIVERY



Centering Disc

030529



Centering Disc

019387

▶ RECOMMENDED ACCESSORIES



Universal jaw aluminium

UB5025AL



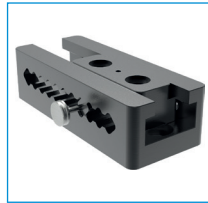
Universal jaw steel

UB5025ST



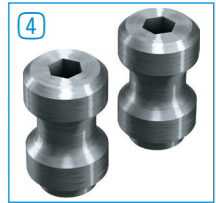
Aluminum adjustment jaw

EB5025AL



Steel adjustment jaw

EB5025ST



Changeable jaw, loose-part-set

WB5025L



Changeable jaw, fix-part

WB5025F



Inductive proximity switch - Connector M8

NJ8-E2S



Magnetic field sensor Angled Cable 0,3 m - Connector M8

MFS103SKHC



Magnetic field sensor Straight Cable 0,3 m - Connector M8

MFS204SKHC



2-Position-Sensor Cable 0,3 m - Connector M8

MFSP2SKHC-02



Plug-in connector Straight Cable 5m - Socket M8 (female)

KAG500



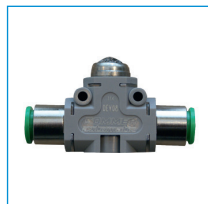
Plug-in connector customizable Straight - Connector M8

S8-G-3



Angled Fittings - Quick Connect Style

WV1-8X8



Quick Exhaust Valve

DEV08

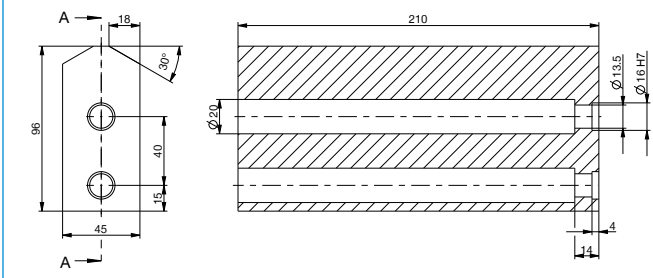


Pressure Safety Valve

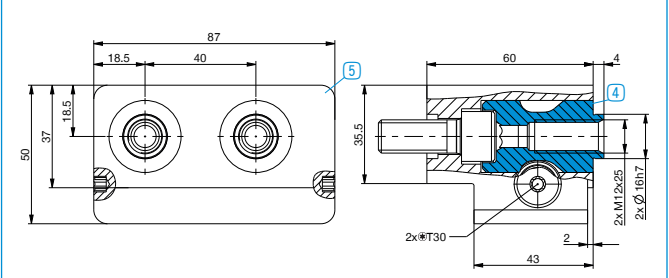
DSV1-8

▶ TECHNICAL DRAWINGS ACCESSORIES

One universal jaw is required for each gripper jaw **3**



For each gripper jaw, one interchangeable jaw loose part set **4** and one interchangeable jaw fixed part **5** are needed

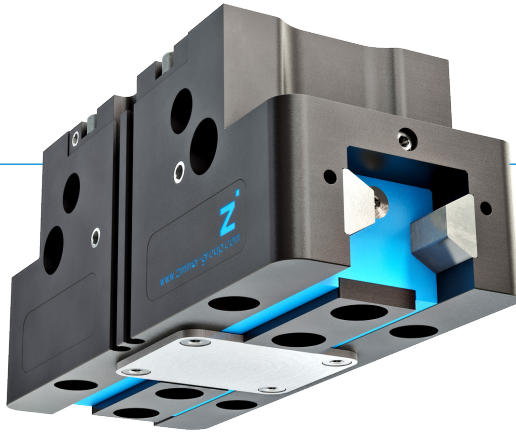


2-JAW PARALLEL GRIPPERS

SERIES GPP5000

1

▶ PRODUCT ADVANTAGES



“The Universal One”

- ▶ Up to 30% more gripping force than the benchmark
- ▶ 10% more static forces and moments than the benchmark
- ▶ Gripper fingers up to 10% longer than the benchmark
- ▶ Gripper fingers weight up to 15% higher than the benchmark
- ▶ Sealed guide IP64 / Protector version IP67 (with purged air)
- ▶ Protected against corrosion
- ▶ Up to 30 million cycles without maintenance

▶ THE BEST PRODUCT FOR YOUR APPLICATION



▶ Our products love the challenge!

Extreme conditions, all over the world—our tried and tested components and systems give you limitless possibilities:

Find the best product for your specific use:

www.zimmer-group.com

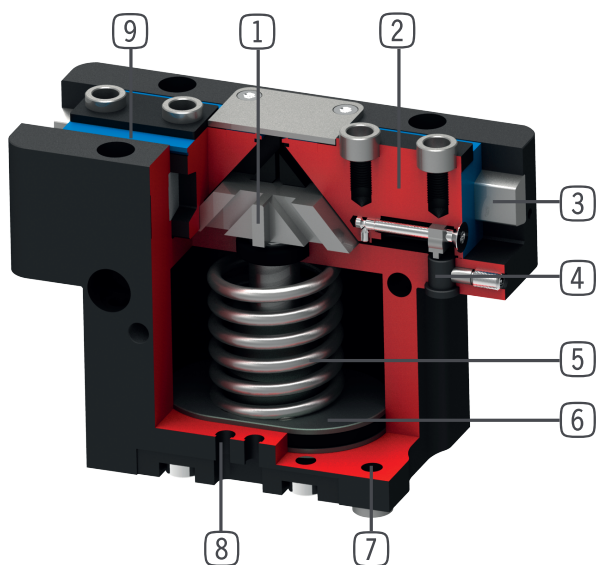
HOW TO ORDER CORRECTLY

- ▶ The product order numbers are arranged according to this diagram:

Order no.	GPP5010	<input type="checkbox"/>	<input type="checkbox"/>	- <input type="checkbox"/>	-A
Basis version	N				
High force	S				
For external gripping, self-locking, spring closing			C		
For internal gripping, self-locking, spring opening			O		
temperature-resistant version to 130 °C					20
Protector version IP67 for use in adverse environments (with purged air)					21
temperature-resistant protector version IP67 for use in adverse environments (with purged air) to 130 °C					24

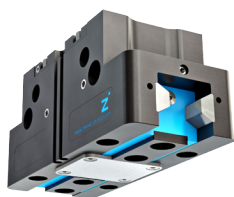


► BENEFITS IN DETAIL



- ① **Wedge hook mechanism**
 - Supports to absorb high forces and moments
 - Synchronized gripper jaw movement
- ② **Gripper jaw**
 - Gripper fingers mounted using removable centring sleeves
 - Lubricated for life via incorporated lubrication slots
- ③ **Steel Linear Guide**
 - Steel in steel guide
 - Enables use of extremely long gripper fingers
- ④ **Mounting block**
 - mounting for inductive proximity switch
- ⑤ **Integrated gripping force safety device**
 - Spring built into cylinder chamber as an energy store
- ⑥ **Drive**
 - Double-acting pneumatic rotor cylinder
- ⑦ **Mounting and positioning**
 - Alternatively, on several sides for customized mounting
 - Pneumatic and electrical versions identical apart from height
- ⑧ **Sensing slot**
 - mounting and positioning of magnetic field sensors
- ⑨ **Dual lip seal**
 - IP64 and up to IP67 (with purged air) for Protector version
 - Prevents grease from being squeezed out, increasing service life

► SERIES CHARACTERISTICS



Number of installation sizes	11
Stroke per jaw	2,5 mm - 45 mm
Gripping force	140 N - 26950 N
Weight	0,08 kg - 41,5 kg
AP class	5



30 million maintenance-free cycles (max.)



High-strength S



IP67



Temperature-resistant



Spring closing C



Inductive sensor



Corrosion resistance



Purged air



Spring opening O



IP64



Magnetic field sensor