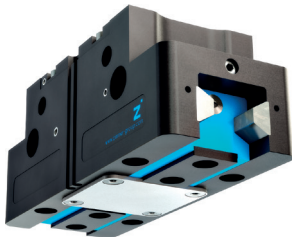


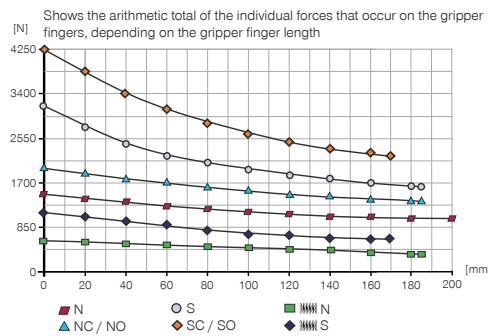
2-JAW PARALLEL GRIPPERS

INSTALLATION SIZE GPP5013

1 PRODUCT SPECIFICATIONS

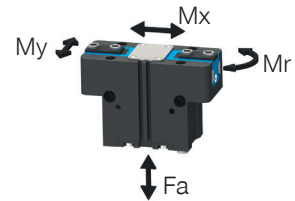


Gripping force diagram



Forces and moments

Displays static forces and moments that can also have an effect, besides the gripping force.



Mr [Nm]	110
Mx [Nm]	150
My [Nm]	130
Fa [N]	3300

TECHNICAL DATA

Order no.	Technical data					
	GPP5013N-00-A	GPP5013NC-00-A	GPP5013NO-00-A	GPP5013S-00-A	GPP5013SC-00-A	GPP5013SO-00-A
Stroke per jaw [mm]	13	13	13	6	6	6
Gripping force in closing [N]	1410	1920		3100	4220	
Gripping force in opening [N]	1490		1860	3280		4400
Gripping force secured by spring min. [N]		510	510		1120	1120
Closing time [s]	0.09	0.07	0.11	0.09	0.07	0.11
Opening time [s]	0.09	0.11	0.08	0.09	0.11	0.08
Permissible weight per jaw max [kg]	2.4	2.4	2.4	2.4	2.4	2.4
Length of the gripper fingers max. [mm]	200	185	185	185	170	170
Repetition accuracy +/- [mm]	0.01	0.01	0.01	0.01	0.01	0.01
Operating pressure min. [bar]	3	4	4	3	4	4
Operating pressure max. [bar]	8	7	7	8	7	7
Nominal operating pressure [bar]	6	6	6	6	6	6
Operating temperature [°C]	-10 ... +90	-10 ... +90	-10 ... +90	-10 ... +90	-10 ... +90	-10 ... +90
Air volume per cycle [cm³]	88	171	171	88	171	171
Protection to IEC 60529	IP64	IP64	IP64	IP64	IP64	IP64
Weight [kg]	1.5	1.9	1.9	1.5	1.9	1.9

Order no.	Technical Data - High Temperature Version					
	GPP5013N-20-A	GPP5013NC-20-A	GPP5013NO-20-A	GPP5013S-20-A	GPP5013SC-20-A	GPP5013SO-20-A
Operating temperature [°C]	-10 ... +130	-10 ... +130	-10 ... +130	-10 ... +130	-10 ... +130	-10 ... +130

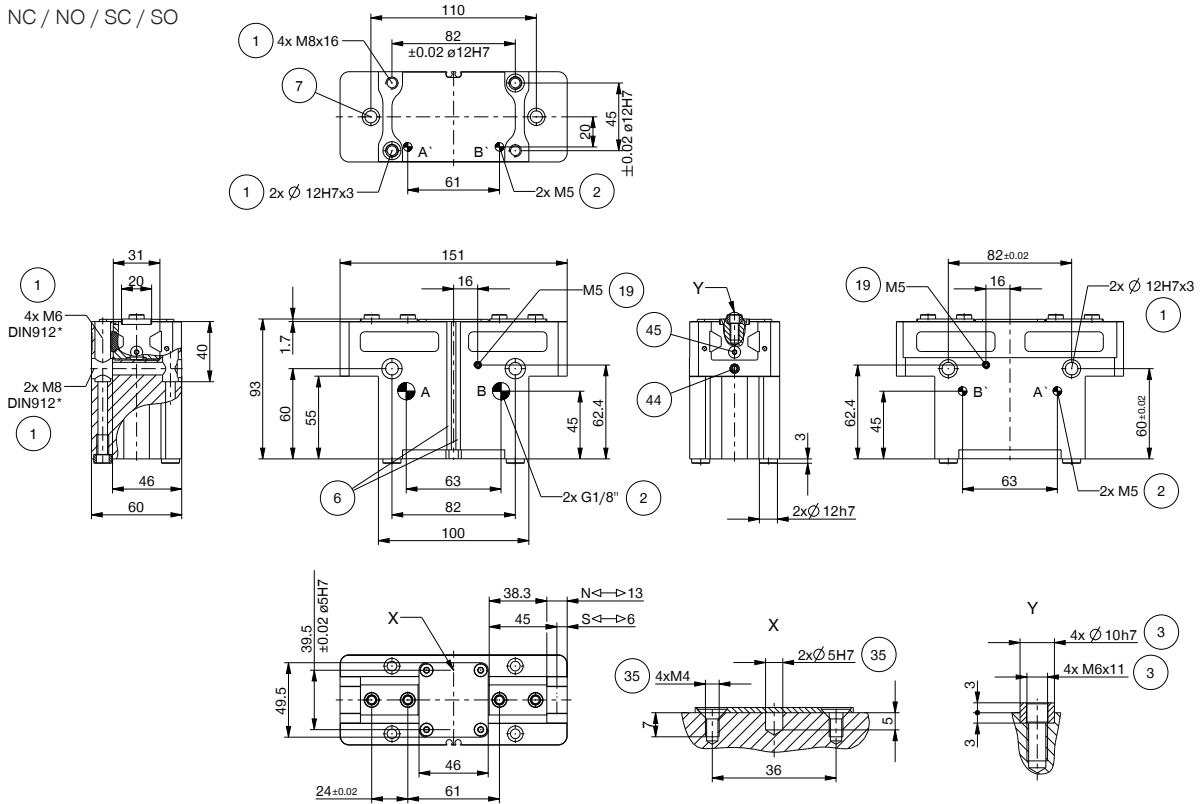
Order no.	Technical Data - Protector Version					
	GPP5013N-21-A	GPP5013NC-21-A	GPP5013NO-21-A	GPP5013S-21-A	GPP5013SC-21-A	GPP5013SO-21-A
Protection to IEC 60529	IP67 *	IP67 *	IP67 *	IP67 *	IP67 *	IP67 *
Weight [kg]	1.86	2.26	2.26	1.86	2.26	2.26

Order no.	Technical Data - High Temperature Protector Version					
	GPP5013N-24-A	GPP5013NC-24-A	GPP5013NO-24-A	GPP5013S-24-A	GPP5013SC-24-A	GPP5013SO-24-A
Operating temperature [°C]	-10 ... +130	-10 ... +130	-10 ... +130	-10 ... +130	-10 ... +130	-10 ... +130
Protection to IEC 60529	IP67 *	IP67 *	IP67 *	IP67 *	IP67 *	IP67 *
Weight [kg]	1.86	2.26	2.26	1.86	2.26	2.26

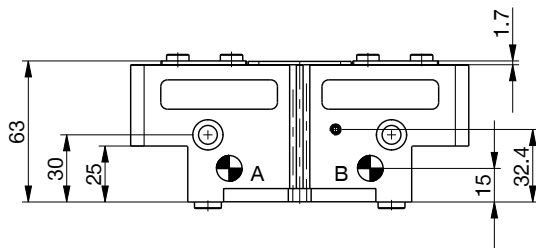
*with purged air (max. 0,5 bar)

TECHNICAL DRAWINGS

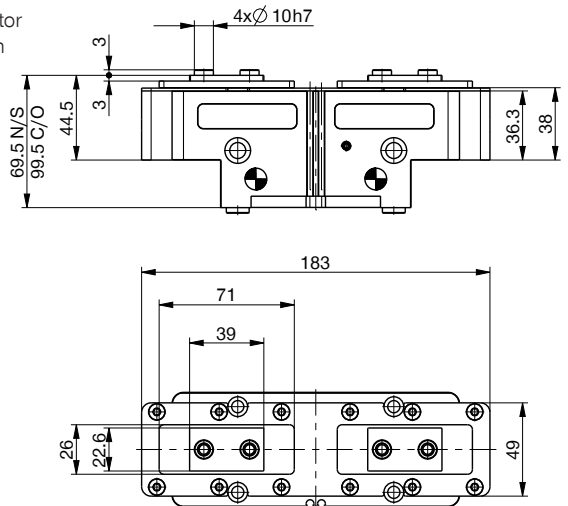
NC / NO / SC / SO



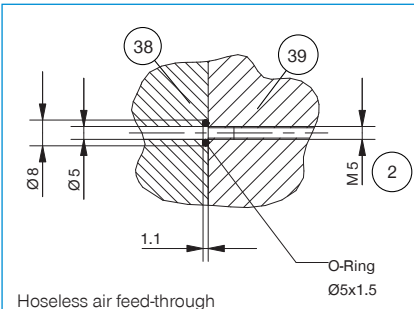
N / S



Protector version



- ① Gripper attachment
- ② Energy supply
- ③ Fixing for gripper finger
- ⑥ Integrated slot for magnetic field sensor
- ⑦ Mounting block
- ⑱ Air purge connection option
- ⑳ Attachment option for customer-specific fittings
- ㉘ Adapter
- ㉙ Gripper
- ㉚ Clamp for sensor
- ㉛ Switch cam adjustment
- Ⓐ Air connection (close)
- Ⓑ Air connection (open)
- Ⓐ Air connection, alternative (close)
- Ⓑ Air connection, alternative (open)

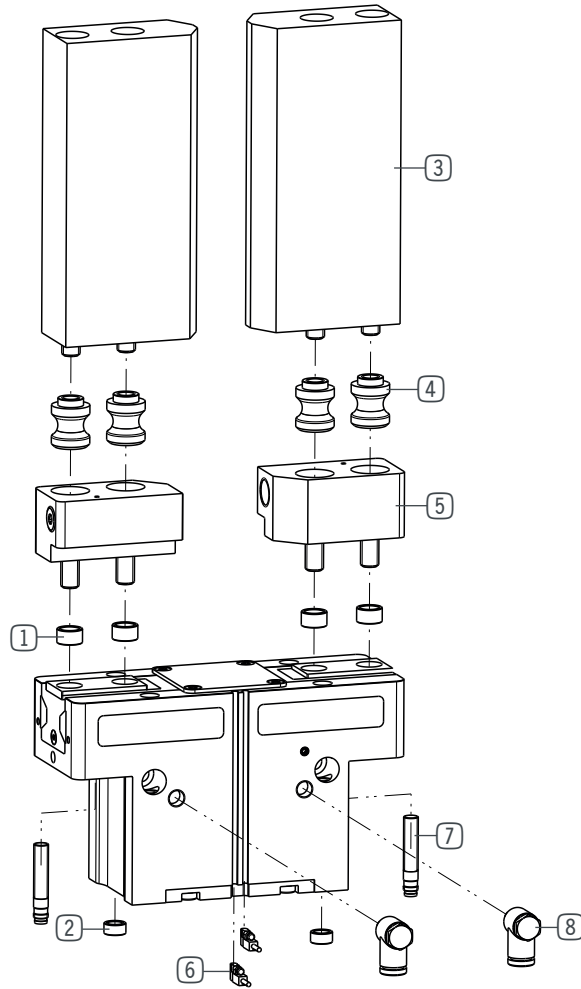


2-JAW PARALLEL GRIPPERS

INSTALLATION SIZE GPP5013

1

Installation size GPP5013 / 2-Jaw Parallel Grippers / pneumatic / Grippers



▶ INCLUDED IN DELIVERY



Centering Disc

018187



Centering Disc

019280

▶ RECOMMENDED ACCESSORIES



Universal jaw aluminium

UB5013AL



Universal jaw steel

UB5013ST



Aluminum adjustment jaw

EB5013AL



Steel adjustment jaw

EB5013ST



Changeable jaw, loose-part-set

WB5013L



Changeable jaw, fix-part

WB5013F



Inductive proximity switch - Connector M8

NJ8-E2S



Magnetic field sensor Angled Cable 0,3 m - Connector M8

MFS103SKHC



Magnetic field sensor Straight Cable 0,3 m - Connector M8

MFS204SKHC



2-Position-Sensor Cable 0,3 m - Connector M8

MFSP2SKHC-02



Plug-in connector Straight Cable 5m - Socket M8 (female)

KAG500



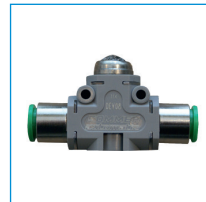
Plug-in connector customizable Straight - Connector M8

S8-G-3



Angled Fittings - Quick Connect Style

WV1-8X6



Quick Exhaust Valve

DEV06

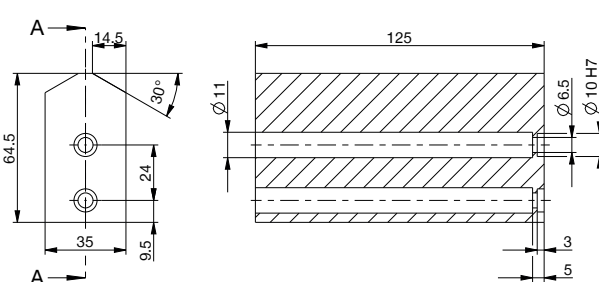


Pressure Safety Valve

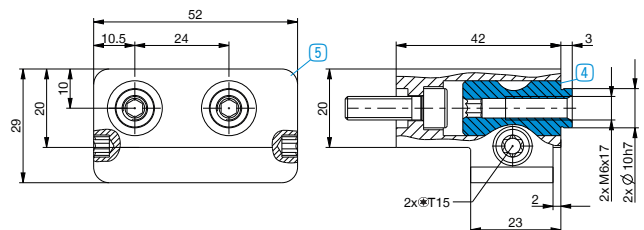
DSV1-8

▶ TECHNICAL DRAWINGS ACCESSORIES

One universal jaw is required for each gripper jaw **(3)**



For each gripper jaw, one interchangeable jaw loose part set **(4)** and one interchangeable jaw fixed part **(5)** are needed

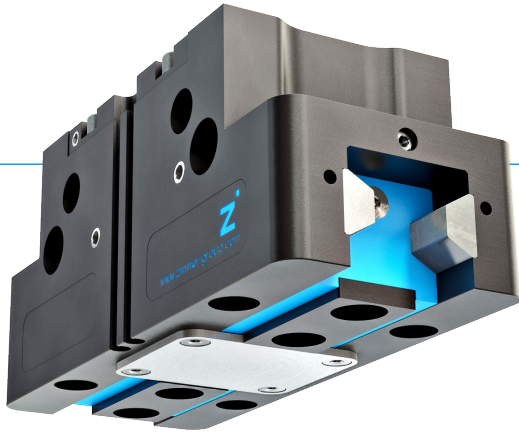


2-JAW PARALLEL GRIPPERS

SERIES GPP5000

1

▶ PRODUCT ADVANTAGES



“The Universal One”

- ▶ Up to 30% more gripping force than the benchmark
- ▶ 10% more static forces and moments than the benchmark
- ▶ Gripper fingers up to 10% longer than the benchmark
- ▶ Gripper fingers weight up to 15% higher than the benchmark
- ▶ Sealed guide IP64 / Protector version IP67 (with purged air)
- ▶ Protected against corrosion
- ▶ Up to 30 million cycles without maintenance

▶ THE BEST PRODUCT FOR YOUR APPLICATION



▶ Our products love the challenge!

Extreme conditions, all over the world—our tried and tested components and systems give you limitless possibilities:

Find the best product for your specific use:

www.zimmer-group.com

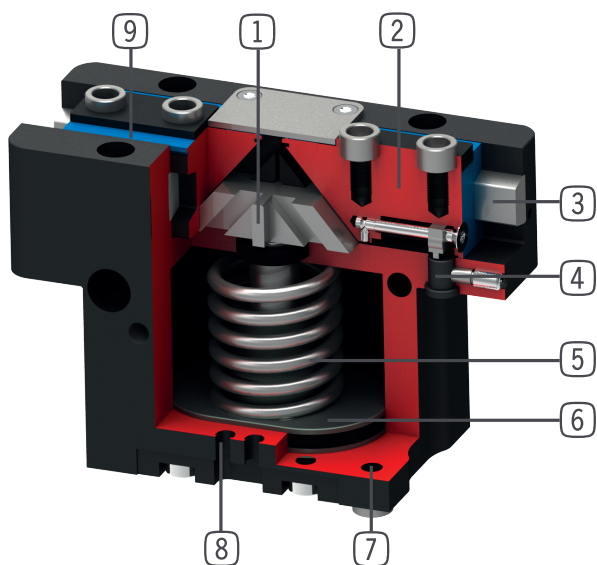
HOW TO ORDER CORRECTLY

- ▶ The product order numbers are arranged according to this diagram:

Order no.	GPP5010	<input type="checkbox"/>	<input type="checkbox"/>	- <input type="checkbox"/>	-A
Basis version	N				
High force	S				
For external gripping, self-locking, spring closing			C		
For internal gripping, self-locking, spring opening			O		
temperature-resistant version to 130 °C				20	
Protector version IP67 for use in adverse environments (with purged air)				21	
temperature-resistant protector version IP67 for use in adverse environments (with purged air) to 130 °C				24	

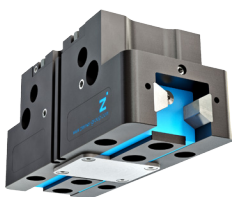


► BENEFITS IN DETAIL



- ① **Wedge hook mechanism**
 - Supports to absorb high forces and moments
 - Synchronized gripper jaw movement
- ② **Gripper jaw**
 - Gripper fingers mounted using removable centring sleeves
 - Lubricated for life via incorporated lubrication slots
- ③ **Steel Linear Guide**
 - Steel in steel guide
 - Enables use of extremely long gripper fingers
- ④ **Mounting block**
 - mounting for inductive proximity switch
- ⑤ **Integrated gripping force safety device**
 - Spring built into cylinder chamber as an energy store
- ⑥ **Drive**
 - Double-acting pneumatic rotor cylinder
- ⑦ **Mounting and positioning**
 - Alternatively, on several sides for customized mounting
 - Pneumatic and electrical versions identical apart from height
- ⑧ **Sensing slot**
 - mounting and positioning of magnetic field sensors
- ⑨ **Dual lip seal**
 - IP64 and up to IP67 (with purged air) for Protector version
 - Prevents grease from being squeezed out, increasing service life

► SERIES CHARACTERISTICS



Number of installation sizes	11
Stroke per jaw	2,5 mm - 45 mm
Gripping force	140 N - 26950 N
Weight	0,08 kg - 41,5 kg
AP class	5



30 million maintenance-free cycles (max.)



High-strength S



IP67



Temperature-resistant



Spring closing C



Inductive sensor



Corrosion resistance



Purged air



Spring opening O



IP64



Magnetic field sensor