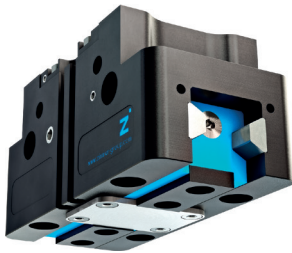


2-JAW PARALLEL GRIPPERS

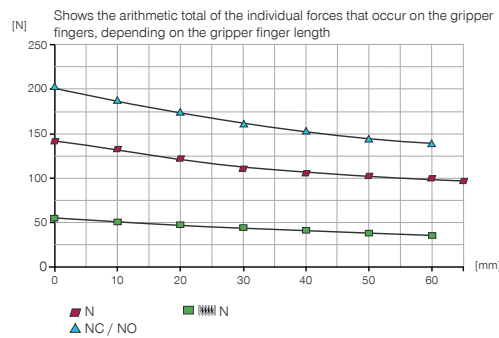
INSTALLATION SIZE GPP5003

1

▶ PRODUCT SPECIFICATIONS

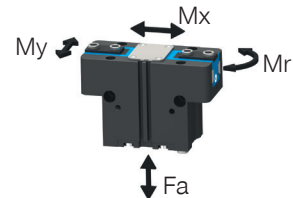


▶ Gripping force diagram



▶ Forces and moments

Displays static forces and moments that can also have an effect, besides the gripping force.



Mr [Nm]	7
Mx [Nm]	14
My [Nm]	13
Fa [N]	550

▶ TECHNICAL DATA

Order no.	▶ Technical data		
	GPP5003N-00-A	GPP5003NC-00-A	GPP5003NO-00-A
Stroke per jaw [mm]	2.5	2.5	2.5
Gripping force in closing [N]	140	195	
Gripping force in opening [N]	150		205
Gripping force secured by spring min. [N]		55	55
Closing time [s]	0.01	0.01	0.025
Opening time [s]	0.01	0.025	0.01
Permissible weight per jaw max [kg]	0.12	0.12	0.12
Length of the gripper fingers max. [mm]	65	60	60
Repetition accuracy +/- [mm]	0.01	0.01	0.01
Operating pressure min. [bar]	3	4	4
Operating pressure max. [bar]	8	7	7
Nominal operating pressure [bar]	6	6	6
Operating temperature [°C]	-10 ... +90	-10 ... +90	-10 ... +90
Air volume per cycle [cm³]	2.1	4.8	4.8
Protection to IEC 60529	IP64	IP64	IP64
Weight [kg]	0.08	0.1	0.1

Order no.	▶ Technical Data - High Temperature Version		
	GPP5003N-20-A	GPP5003NC-20-A	GPP5003NO-20-A
Operating temperature [°C]	-10 ... +130	-10 ... +130	-10 ... +130

Order no.	▶ Technical Data - Protector Version		
	GPP5003N-21-A	GPP5003NC-21-A	GPP5003NO-21-A
Protection to IEC 60529	IP67 *	IP67 *	IP67 *
Weight [kg]	0.1	0.12	0.12

Order no.	▶ Technical Data - High Temperature Protector Version		
	GPP5003N-24-A	GPP5003NC-24-A	GPP5003NO-24-A
Operating temperature [°C]	-10 ... +130	-10 ... +130	-10 ... +130
Protection to IEC 60529	IP67 *	IP67 *	IP67 *
Weight [kg]	0.1	0.12	0.12

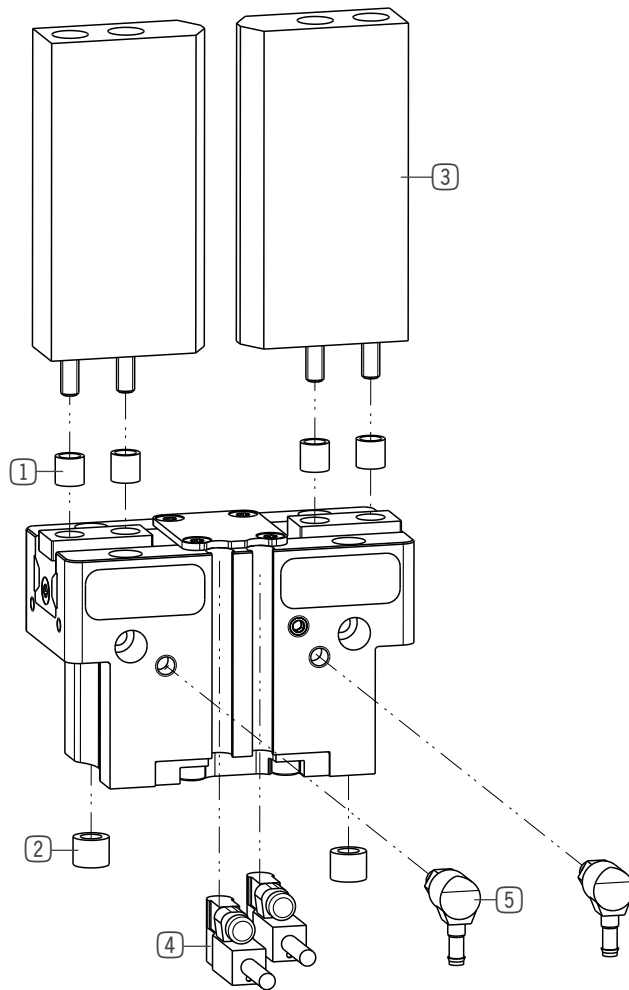
*with purged air (max. 0,5 bar)

2-JAW PARALLEL GRIPPERS

INSTALLATION SIZE GPP5003

1

Installation size GPP5003 / 2-Jaw Parallel Grippers / pneumatic / Grippers



▶ INCLUDED IN DELIVERY



Centering Disc

DST06510



Centering Disc

015761

► **RECOMMENDED ACCESSORIES**



Universal jaw aluminium

UB5003AL



Universal jaw steel

UB5003ST



Rubber Coated Tape
Knobbed

KF50N



Aluminum adjustment jaw

EB5003AL

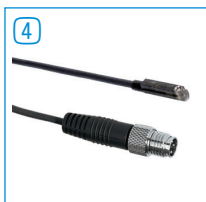


Steel adjustment jaw

EB5003ST



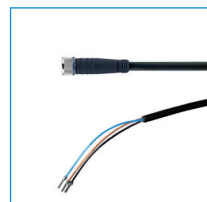
Magnetic field sensor Angled
Cable 0,3 m - Connector M8
MFS103SKHC



Magnetic field sensor Straight
Cable 0,3 m - Connector M8
MFS204SKHC



2-Position-Sensor Cable
0,3 m - Connector M8
MFSP2SKHC-02



Plug-in connector Straight Ca-
ble 5m - Socket M8 (female)
KAG500



Plug-in connector customiz-
able Straight - Connector M8
S8-G-3



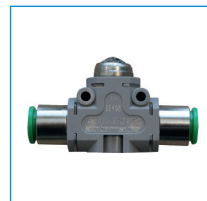
Plug-in connector customiz-
able Straight - Connector M12
S12-G-3



Straight Fittings - Barb
Style Connection
GVM3



Angled Fittings - Barb
Style Connection
WVM3

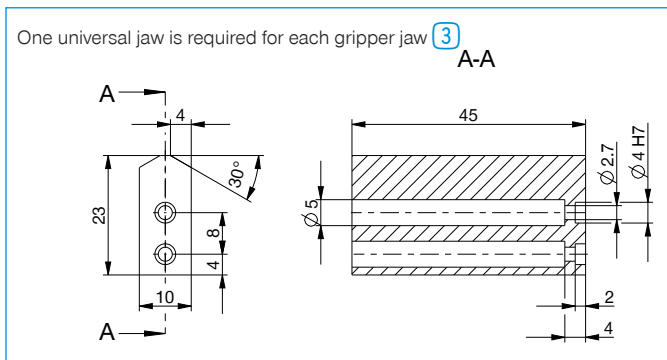


Quick Exhaust Valve
DEV04



Pressure Safety Valve
DSV1-8

► **TECHNICAL DRAWINGS ACCESSORIES**

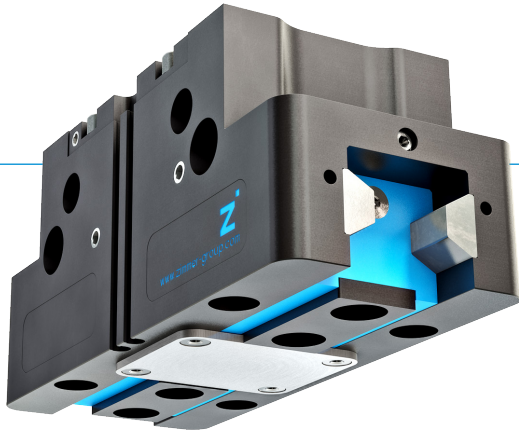


2-JAW PARALLEL GRIPPERS

SERIES GPP5000

1

▶ PRODUCT ADVANTAGES



“The Universal One”

- ▶ Up to 30% more gripping force than the benchmark
- ▶ 10% more static forces and moments than the benchmark
- ▶ Gripper fingers up to 10% longer than the benchmark
- ▶ Gripper fingers weight up to 15% higher than the benchmark
- ▶ Sealed guide IP64 / Protector version IP67 (with purged air)
- ▶ Protected against corrosion
- ▶ Up to 30 million cycles without maintenance

▶ THE BEST PRODUCT FOR YOUR APPLICATION



▶ Our products love the challenge!

Extreme conditions, all over the world—our tried and tested components and systems give you limitless possibilities:

Find the best product for your specific use:

www.zimmer-group.com

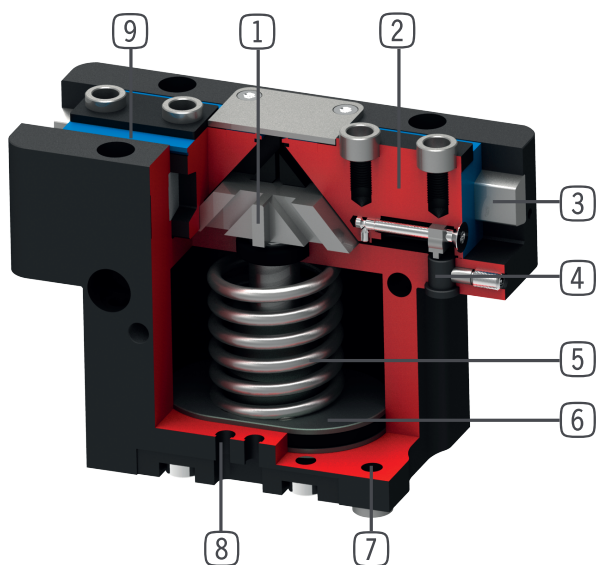
HOW TO ORDER CORRECTLY

- ▶ The product order numbers are arranged according to this diagram:

Order no.	GPP5010	<input type="checkbox"/>	<input type="checkbox"/>	- <input type="checkbox"/>	-A
Basis version	N				
High force	S				
For external gripping, self-locking, spring closing			C		
For internal gripping, self-locking, spring opening			O		
temperature-resistant version to 130 °C				20	
Protector version IP67 for use in adverse environments (with purged air)				21	
temperature-resistant protector version IP67 for use in adverse environments (with purged air) to 130 °C				24	

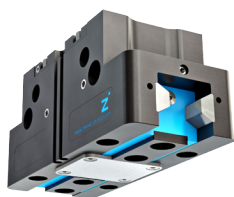


► BENEFITS IN DETAIL



- ① **Wedge hook mechanism**
 - Supports to absorb high forces and moments
 - Synchronized gripper jaw movement
- ② **Gripper jaw**
 - Gripper fingers mounted using removable centring sleeves
 - Lubricated for life via incorporated lubrication slots
- ③ **Steel Linear Guide**
 - Steel in steel guide
 - Enables use of extremely long gripper fingers
- ④ **Mounting block**
 - mounting for inductive proximity switch
- ⑤ **Integrated gripping force safety device**
 - Spring built into cylinder chamber as an energy store
- ⑥ **Drive**
 - Double-acting pneumatic rotor cylinder
- ⑦ **Mounting and positioning**
 - Alternatively, on several sides for customized mounting
 - Pneumatic and electrical versions identical apart from height
- ⑧ **Sensing slot**
 - mounting and positioning of magnetic field sensors
- ⑨ **Dual lip seal**
 - IP64 and up to IP67 (with purged air) for Protector version
 - Prevents grease from being squeezed out, increasing service life

► SERIES CHARACTERISTICS



Number of installation sizes	11
Stroke per jaw	2,5 mm - 45 mm
Gripping force	140 N - 26950 N
Weight	0,08 kg - 41,5 kg
AP class	5



30 million maintenance-free cycles (max.)



High-strength S



IP67



Temperature-resistant



Spring closing C



Inductive sensor



Corrosion resistance



Purged air



Spring opening O



IP64



Magnetic field sensor