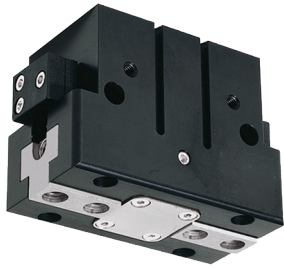


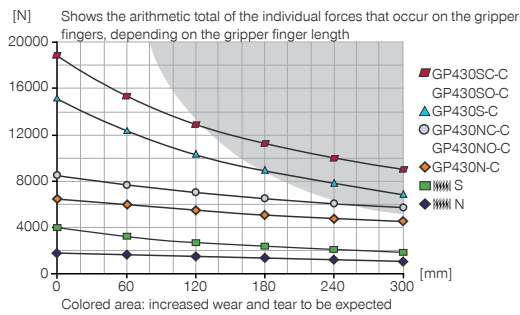
# 2-JAW PARALLEL GRIPPERS

## INSTALLATION SIZE GP430

### ▶ PRODUCT SPECIFICATIONS

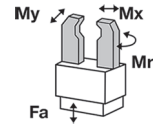


#### ▶ Gripping force diagram



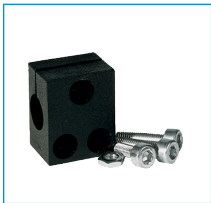
#### ▶ Forces and moments

Displays static forces and moments that can also have an effect, besides the gripping force.



Mr [Nm]	200
Mx [Nm]	275
My [Nm]	300
Fa [N]	9000

### ▶ INCLUDED IN DELIVERY



Mounting block

KB8K



Centering Disc

DST43000

### ▶ RECOMMENDED ACCESSORIES



Universal Jaw Aluminium

UB430



Universal Jaw Steel

UB430ST



Alternate proximity bracket

KHA430-B-8



Inductive proximity switch - Connector M8

NJ8-E2S



Magnetic field sensor Angled Cable 0,3 m - Connector M8

MFS103SKHC



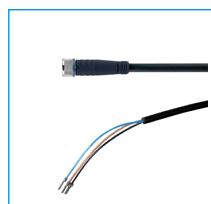
Magnetic field sensor Straight Cable 0,3 m - Connector M8

MFS204SKHC



2-Position-Sensor Cable 0,3 m - Connector M8

MFSP2SKHC-02



Plug-in connector Straight Cable 5m - Socket M8 (female)

KAG500



Straight Fittings - Quick Connect Style

GV1-4X8



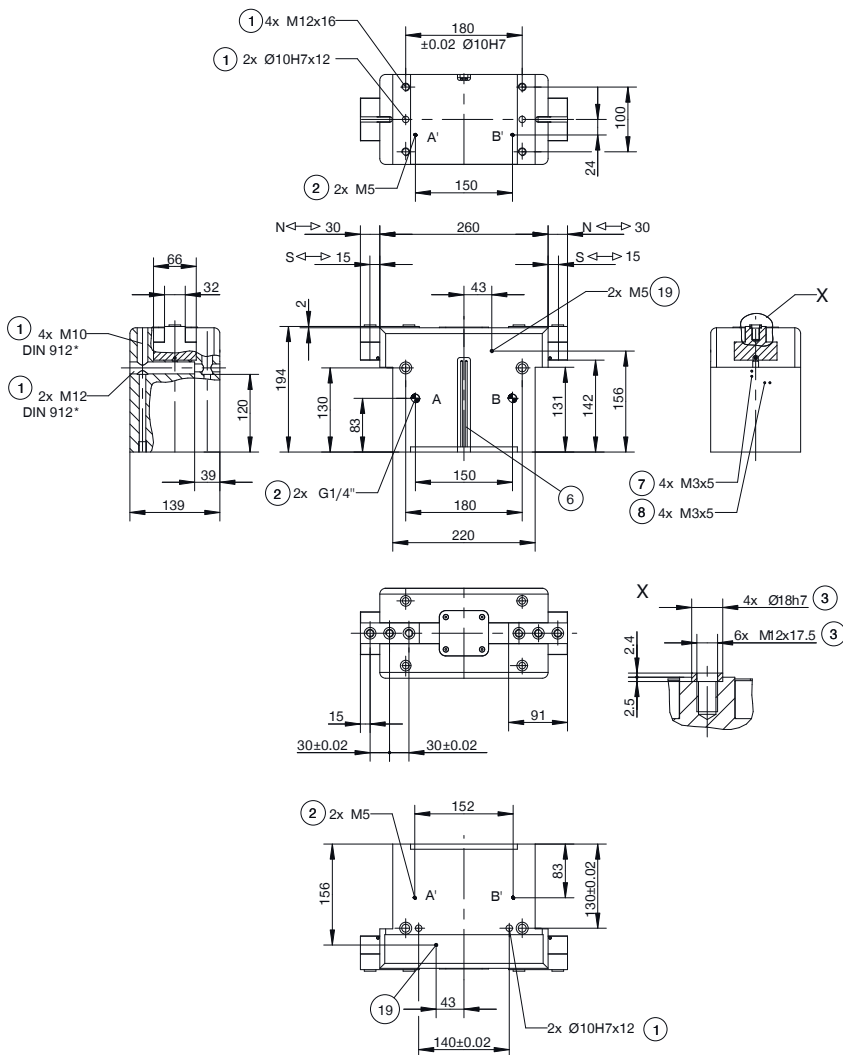
Pressure Safety Valve

DSV1-8

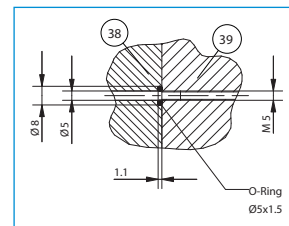
Order no.	▶ Technical Data*					
	GP430N-C	GP430NC-C	GP430NO-C	GP430S-C	GP430SC-C	GP430SO-C
Stroke per jaw [mm]	30	30	30	15	15	15
Gripping force in closing [N]	6675	8480		14900	18930	
Gripping force in opening [N]	6830		8640	15250		19275
Gripping force secured by spring min. [N]		1800	1800		4030	4030
Closing time [s]	0.4	0.4	0.8	0.4	0.4	0.8
Opening time [s]	0.4	0.8	0.4	0.4	0.8	0.4
Repetition accuracy +/- [mm]	0.04	0.04	0.04	0.04	0.04	0.04
Operating pressure min. [bar]	3	4	4	3	4	4
Operating pressure max. [bar]	8	8	8	8	8	8
Max. operating pressure for sealing air [bar]	0.5	0.5	0.5	0.5	0.5	0.5
Operating temperature min. [°C]	5	5	5	5	5	5
Operating temperature max. [°C]	+80	+80	+80	+80	+80	+80
Air volume per cycle [cm³]	980	1850	1850	980	1850	1850
Weight [kg]	14	18.9	18.9	14	18.9	18.9

\*All data measured at 6 bar

NC / NO / SC / SO

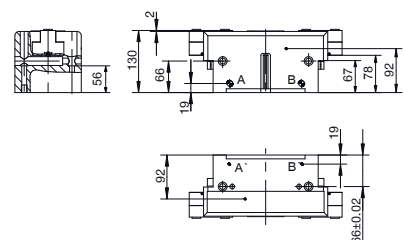


- ① Gripper attachment
- ② Energy supply
- ③ Fixing for gripper finger
- ⑥ Integrated slot for magnetic field sensor
- ⑦ Fixing for mounting block
- ⑧ Fixing clamping bracket (KHA)
- ⑱ Air purge connection option
- Ⓢ Adapter
- Ⓣ Gripper
- Ⓐ Air connection (close)
- Ⓑ Air connection (open)
- Ⓐ Air connection, alternative (close)
- Ⓑ Air connection, alternative (open)



Hoseless air feed-through

N / S



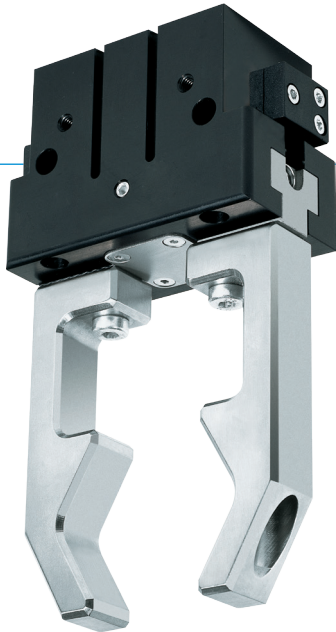
# 2-JAW PARALLEL GRIPPERS

## SERIES GP400

1

Series GP400 / 2-Jaw Parallel Grippers / pneumatic / Grippers

### ▶ PRODUCT ADVANTAGES



#### “The economical”

##### ▶ Concentration on the essentials

The most economic type of gripping: This is how you reduce your production costs

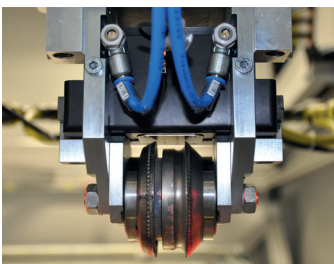
##### ▶ Proven T slot guide

This established and proven guiding technology stands for the highest process reliability like no other

##### ▶ Compact structure

Reduces the interference contours for your application

### ▶ THE BEST PRODUCT FOR YOUR APPLICATION



#### ▶ Our products love the challenge!

Extreme conditions, all over the world—our tried and tested components and systems give you limitless possibilities:

Find the best product for your specific use:

[www.zimmer-group.com](http://www.zimmer-group.com)

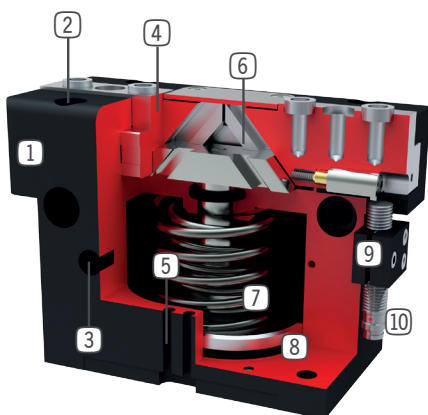
#### HOW TO ORDER CORRECTLY

▶ The product order numbers are arranged according to this diagram:

<b>Order no.</b>	<b>GP410</b>	<input type="checkbox"/>	<input type="checkbox"/>	<b>-C</b>
Long stroke		<b>N</b>		
High force		<b>S</b>		
For external gripping, self-locking, spring closing			<b>C</b>	
For internal gripping, self-locking, spring opening			<b>O</b>	

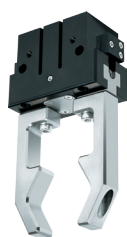


## ► BENEFITS IN DETAIL



- ① **Robust, lightweight housing**  
- Hard-coated aluminum alloy
- ② **Mounting and positioning**  
- mounting possible from several sides for versatile positioning
- ③ **Energy supply**  
- possible from several sides
- ④ **Gripper jaw**  
- individual gripper finger mounting
- ⑤ **Sensing slot**  
- mounting and positioning of magnetic field sensors
- ⑥ **Wedge hook mechanism**  
- synchronized the movement of the gripper jaws
- ⑦ **Integrated gripping force safety device**  
- spring integrated into cylinder as energy storage
- ⑧ **Position sensing**  
- permanent magnet for direct monitoring of piston movement
- ⑨ **Mounting block**  
- mounting for inductive proximity switch (10)

## ► SERIES CHARACTERISTICS



Number of installation sizes	9
Stroke per jaw	3 mm - 30 mm
Gripping force	85 N - 19275 N
Weight	0,08 kg - 18,9 kg
AP class	3



10 million maintenance-free cycles (max.)



High-strength S



Magnetic field sensor



Spring closing C



Inductive sensor



Purged air



Spring opening O



IP40