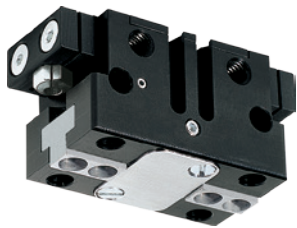


2-JAW PARALLEL GRIPPERS

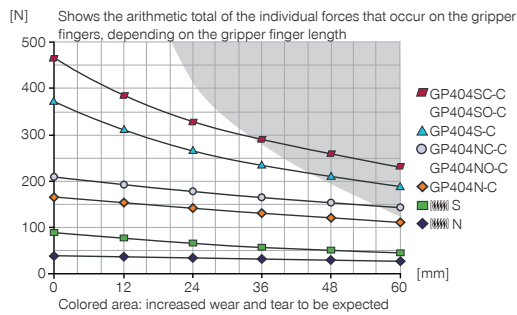
INSTALLATION SIZE GP404

1

▶ PRODUCT SPECIFICATIONS

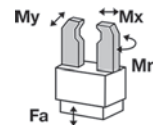


▶ Gripping force diagram



▶ Forces and moments

Displays static forces and moments that can also have an effect, besides the gripping force.



Mr [Nm]	8
Mx [Nm]	15
My [Nm]	15
Fa [N]	700

▶ INCLUDED IN DELIVERY



Mounting block

KB3-08



Centering Disc

DST40400

▶ RECOMMENDED ACCESSORIES



Universal Jaw Aluminium

UB404



Universal Jaw Steel

UB404ST



Inductive Proximity Switch
Cable 0,3 m - Connector
M8
NJ3-E2SK

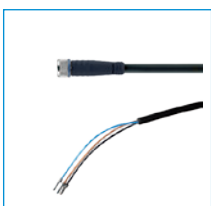


Magnetic field sensor
Angled Cable 0,3 m -
Connector M8
MFS103SKHC



2-Position-Sensor Cable
0,3 m - Connector M8

MFSP2SKHC-02



Plug-in connector Straight Ca-
ble 5m - Socket M8 (female)

KAG500



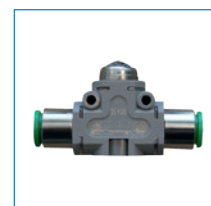
Straight Fittings - Quick
Connect Style

GVM5



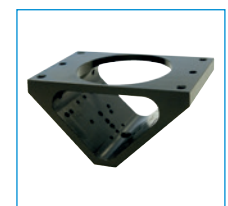
Angled Fittings - Quick
Connect Style

WVM5



Quick Exhaust Valve

DEV04



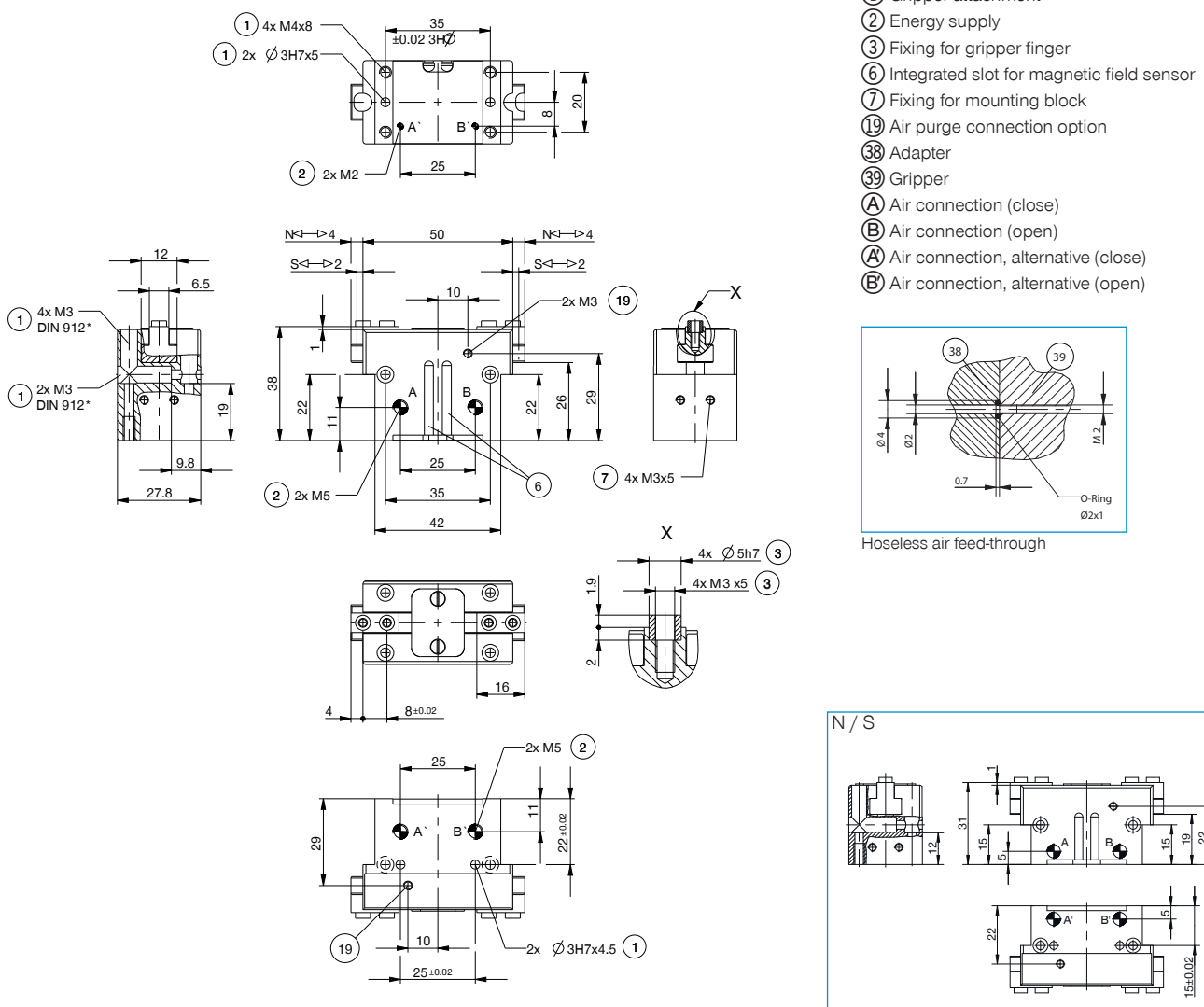
Angle flange

WFR01

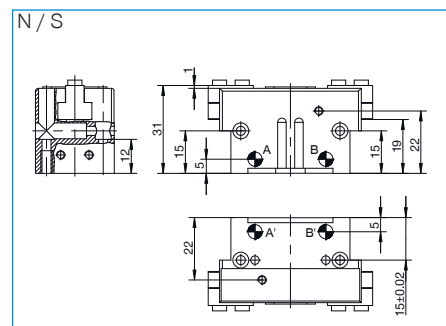
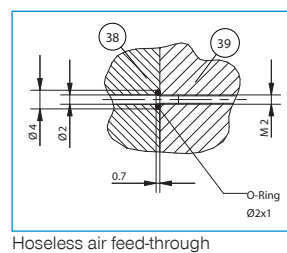
Order no.	▶ Technical Data*					
	GP404N-C	GP404NC-C	GP404NO-C	GP404S-C	GP404SC-C	GP404SO-C
Stroke per jaw [mm]	4	4	4	2	2	2
Gripping force in closing [N]	170	210		375	465	
Gripping force in opening [N]	185		225	410		500
Gripping force secured by spring min. [N]		40	40		90	90
Closing time [s]	0.02	0.015	0.025	0.02	0.015	0.025
Opening time [s]	0.02	0.025	0.015	0.02	0.025	0.015
Repetition accuracy +/- [mm]	0.01	0.01	0.01	0.01	0.01	0.01
Operating pressure min. [bar]	3	4	4	3	4	4
Operating pressure max. [bar]	8	8	8	8	8	8
Max. operating pressure for sealing air [bar]	0.5	0.5	0.5	0.5	0.5	0.5
Operating temperature min. [°C]	5	5	5	5	5	5
Operating temperature max. [°C]	+80	+80	+80	+80	+80	+80
Air volume per cycle [cm ³]	4.1	6.9	6.9	4.1	6.9	6.9
Weight [kg]	0.14	0.16	0.16	0.14	0.16	0.16

*All data measured at 6 bar

NC / NO / SC / SO



- ① Gripper attachment
- ② Energy supply
- ③ Fixing for gripper finger
- ⑥ Integrated slot for magnetic field sensor
- ⑦ Fixing for mounting block
- ⑱ Air purge connection option
- ⑳ Adapter
- ㉑ Gripper
- A Air connection (close)
- B Air connection (open)
- A Air connection, alternative (close)
- B Air connection, alternative (open)



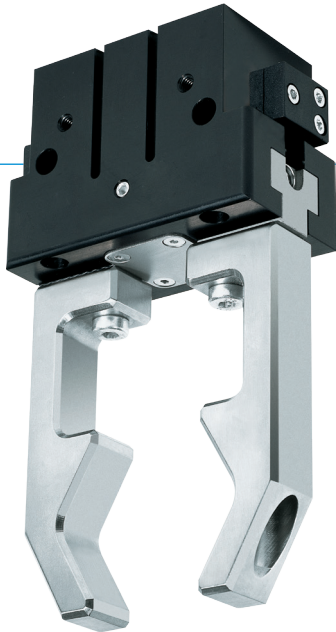
2-JAW PARALLEL GRIPPERS

SERIES GP400

1

Series GP400 / 2-Jaw Parallel Grippers / pneumatic / Grippers

▶ PRODUCT ADVANTAGES



“The economical”

▶ Concentration on the essentials

The most economic type of gripping: This is how you reduce your production costs

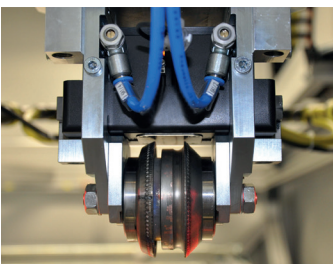
▶ Proven T slot guide

This established and proven guiding technology stands for the highest process reliability like no other

▶ Compact structure

Reduces the interference contours for your application

▶ THE BEST PRODUCT FOR YOUR APPLICATION



▶ Our products love the challenge!

Extreme conditions, all over the world—our tried and tested components and systems give you limitless possibilities:

Find the best product for your specific use:

www.zimmer-group.com

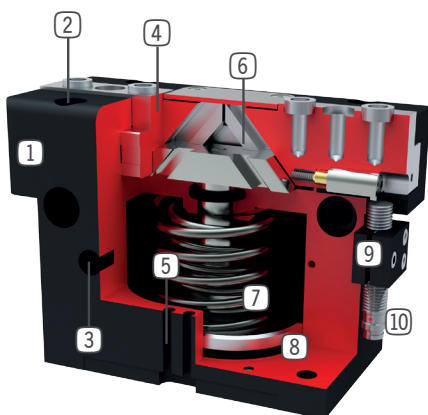
HOW TO ORDER CORRECTLY

▶ The product order numbers are arranged according to this diagram:

Order no.	GP410	<input type="checkbox"/>	<input type="checkbox"/>	-C
Long stroke		N		
High force		S		
For external gripping, self-locking, spring closing			C	
For internal gripping, self-locking, spring opening			O	

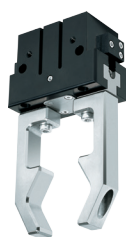


► BENEFITS IN DETAIL



- ① **Robust, lightweight housing**
- Hard-coated aluminum alloy
- ② **Mounting and positioning**
- mounting possible from several sides for versatile positioning
- ③ **Energy supply**
- possible from several sides
- ④ **Gripper jaw**
- individual gripper finger mounting
- ⑤ **Sensing slot**
- mounting and positioning of magnetic field sensors
- ⑥ **Wedge hook mechanism**
- synchronized the movement of the gripper jaws
- ⑦ **Integrated gripping force safety device**
- spring integrated into cylinder as energy storage
- ⑧ **Position sensing**
- permanent magnet for direct monitoring of piston movement
- ⑨ **Mounting block**
- mounting for inductive proximity switch (10)

► SERIES CHARACTERISTICS



Number of installation sizes	9
Stroke per jaw	3 mm - 30 mm
Gripping force	85 N - 19275 N
Weight	0,08 kg - 18,9 kg
AP class	3



10 million maintenance-free cycles (max.)



High-strength S



Magnetic field sensor



Spring closing C



Inductive sensor



Purged air



Spring opening O



IP40