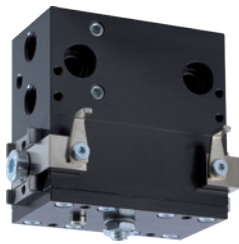


# 2-JAW PARALLEL GRIPPERS

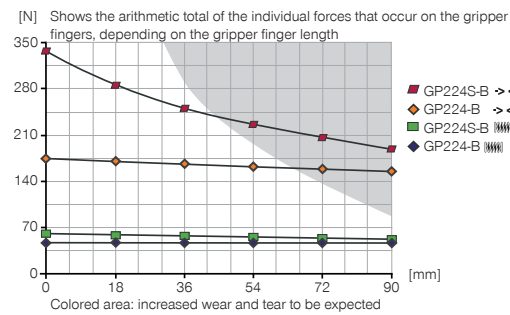
## INSTALLATION SIZE GP224

1

### ▶ PRODUCT SPECIFICATIONS

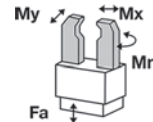


#### ▶ Gripping force diagram



#### ▶ Forces and moments

Displays static forces and moments that can also have an effect, besides the gripping force.



Mr [Nm]	8
Mx [Nm]	15
My [Nm]	8
Fa [N]	250

### ▶ INCLUDED IN DELIVERY



Mounting block

KB8K

### ▶ RECOMMENDED ACCESSORIES



Centering Disc

ZE15H7X4



Inductive proximity switch  
- Connector M8

NJ8-E2S



Magnetic field sensor  
Angled Cable 0,3 m -  
Connector M8

MFS103SKHC



Magnetic field sensor  
Straight Cable 0,3 m -  
Connector M8

MFS204SKHC



2-Position-Sensor Cable  
0,3 m - Connector M8

MFSP2SKHC-02



Plug-in connector Straight Ca-  
ble 5m - Socket M8 (female)

KAG500



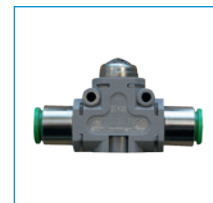
Straight Fittings - Quick  
Connect Style

GVM5



Angled Fittings - Quick  
Connect Style

WVM5



Quick Exhaust Valve

DEV04

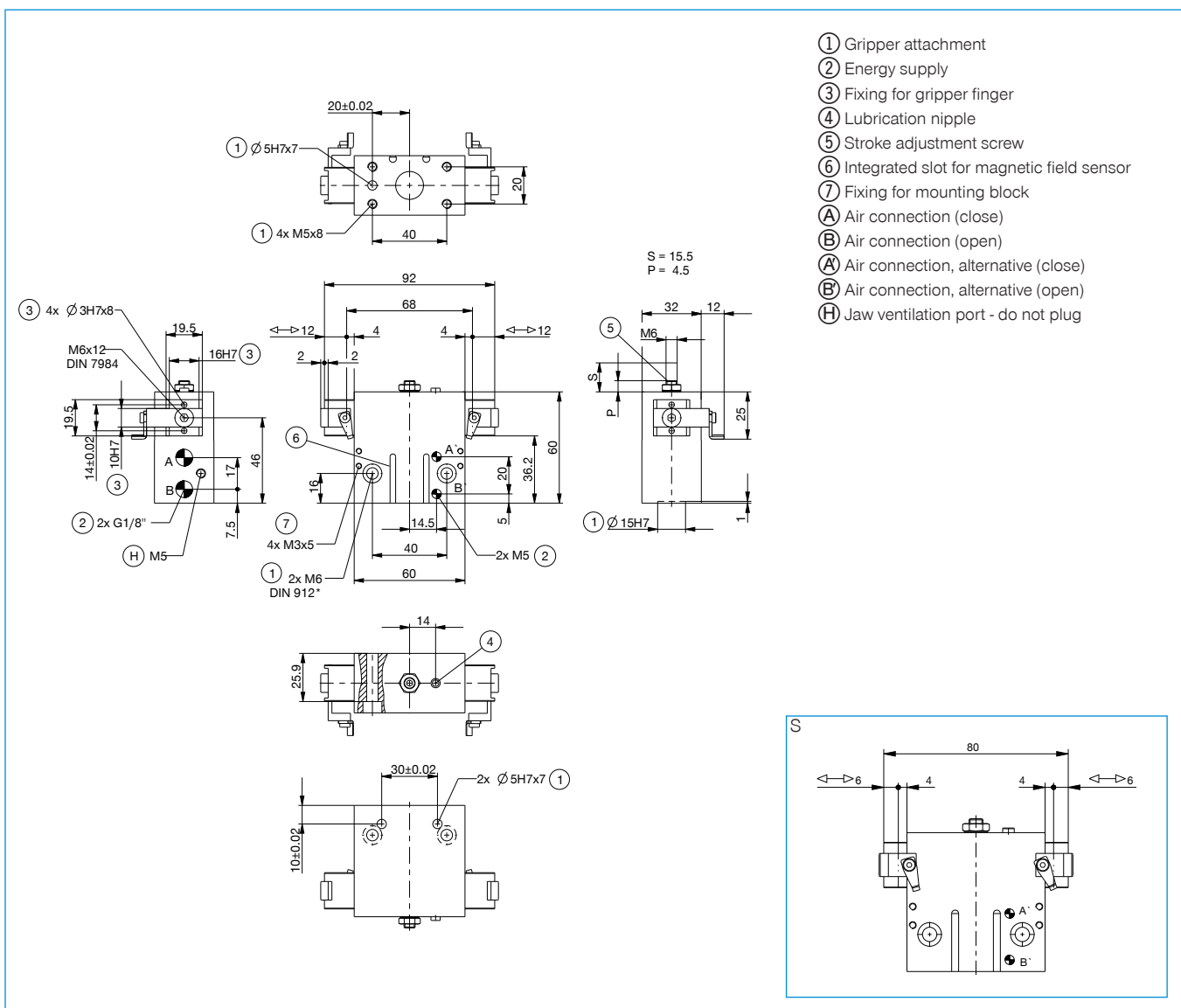


Pressure Safety Valve

DSV1-8

Order no.	▶ Technical Data*			
	GP224-B	GP224-B-99	GP224S-B	GP224S-B-99
Stroke per jaw [mm]	12	12	6	6
Gripping force in closing [N]	170	160	335	335
Gripping force in opening [N]		160		335
Gripping force secured by spring min. [N]	10		35	
Closing time [s]	0.06	0.04	0.06	0.04
Opening time [s]	0.06	0.04	0.06	0.04
Repetition accuracy +/- [mm]	0.05	0.05	0.05	0.05
Operating pressure min. [bar]	5	3	5	3
Operating pressure max. [bar]	8	8	8	8
Operating temperature min. [°C]	5	5	5	5
Operating temperature max. [°C]	+80	+80	+80	+80
Air volume per cycle [cm³]	12	12	12	12
Weight [kg]	0.33	0.33	0.33	0.33

\*All data measured at 6 bar



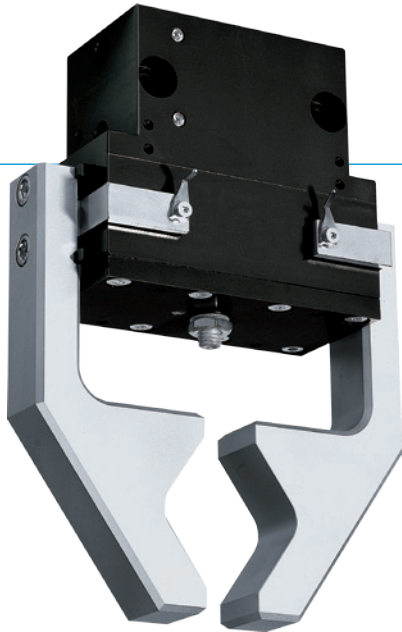
# 2-JAW PARALLEL GRIPPERS

## SERIES GP200

1

Series GP200 / 2-Jaw Parallel Grippers / pneumatic / Grippers

### ▶ PRODUCT ADVANTAGES



#### “The variable”

##### ▶ Smooth stroke configuration

An adjusting screw allows you to adjust the stroke to your specific application

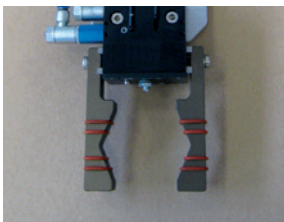
##### ▶ Proven technology

We have more than 20 years of proven reliability, which ensures uninterrupted production for you

##### ▶ Dirt protection

Using the scrapers on the guides, you can reliably use the gripper even under the harshest conditions

### ▶ THE BEST PRODUCT FOR YOUR APPLICATION



#### ▶ Our products welcome the challenge!

Extreme conditions, all over the world—our tried and tested components and systems give you endless possibilities.

Find the best product for your specific use:

[www.zimmer-group.de](http://www.zimmer-group.de)

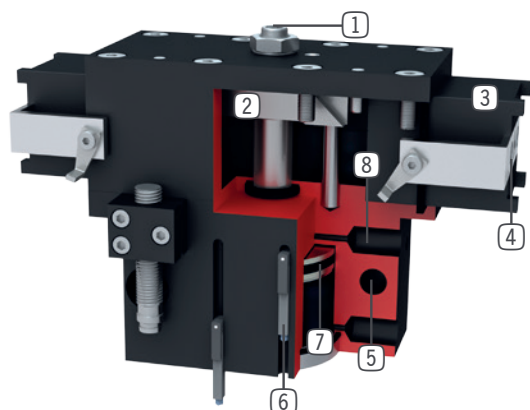
#### HOW TO ORDER CORRECTLY

- ▶ The product order numbers are arranged according to this diagram:

Order no.	GP280	<input type="checkbox"/>	<input type="checkbox"/>	
High force		S		
Without intergrated spring			-99	



## BENEFITS IN DETAIL



- 1 Stroke adjustment**
  - infinitely adjustable in „open“ movement
  - adjusting screw in delivery
- 2 Wedge hook mechanism**
  - synchronized the movement of the gripper jaws
  - high force transfer
- 3 Square guide**
  - high forces and moments capacity
- 4 Gripper jaw**
  - individual gripper finger mounting
- 5 Mounting and positioning**
  - mounting possible from several sides for versatile positioning
- 6 Sensing slot**
  - mounting and positioning of magnetic field sensors
- 7 Drive**
  - double-acting pneumatic cylinder
- 8 Energy supply**
  - possible from several sides

## SERIES CHARACTERISTICS



Number of installation sizes	4
Stroke per jaw	6 mm - 40 mm
Gripping force	160 N - 4500 N
Weight	0,33 kg - 8,3 kg
AP class	3



10 million maintenance-free cycles (max.)



Spring closing C



High-strength S



Inductive sensor



IP40



Magnetic field sensor



Purged air