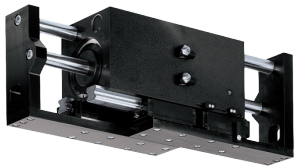


# 2-JAW PARALLEL GRIPPERS WITH LONG STROKE INSTALLATION SIZE GH76100

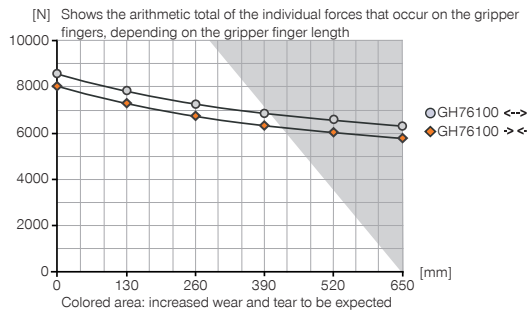
1

Installation size GH76100 / 2-Jaw Parallel Grippers with Long Stroke / pneumatic / Grippers

## ▶ PRODUCT SPECIFICATIONS

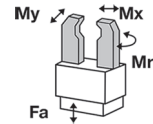


### ▶ Gripping force diagram



### ▶ Forces and moments

Displays static forces and moments that can also have an effect, besides the gripping force.



Mr [Nm]	2000
Mx [Nm]	2000
My [Nm]	1500
Fa [N]	4000

## ▶ INCLUDED IN DELIVERY



Mounting block

KB8-28



Flow Control Valves - with Swivel joint

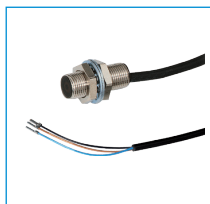
DRV1-4X8

## ▶ RECOMMENDED ACCESSORIES



Alternate proximity bracket

KHA76100-8



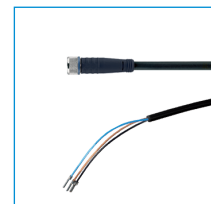
Inductive proximity switch - Cable 5 m

NJ8-E2



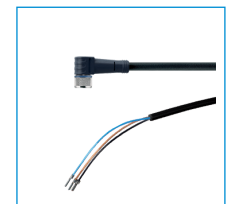
Inductive proximity switch - Connector M8

NJ8-E2S



Plug-in connector Straight Cable 5m - Socket M8 (female)

KAG500



Plug-in connector Angled Cable 5m - Socket M8 (female)

KAW500



Plug-in connector customizable Straight - Connector M8

S8-G-3



Plug-in connector customizable Straight - Connector M12

S12-G-3

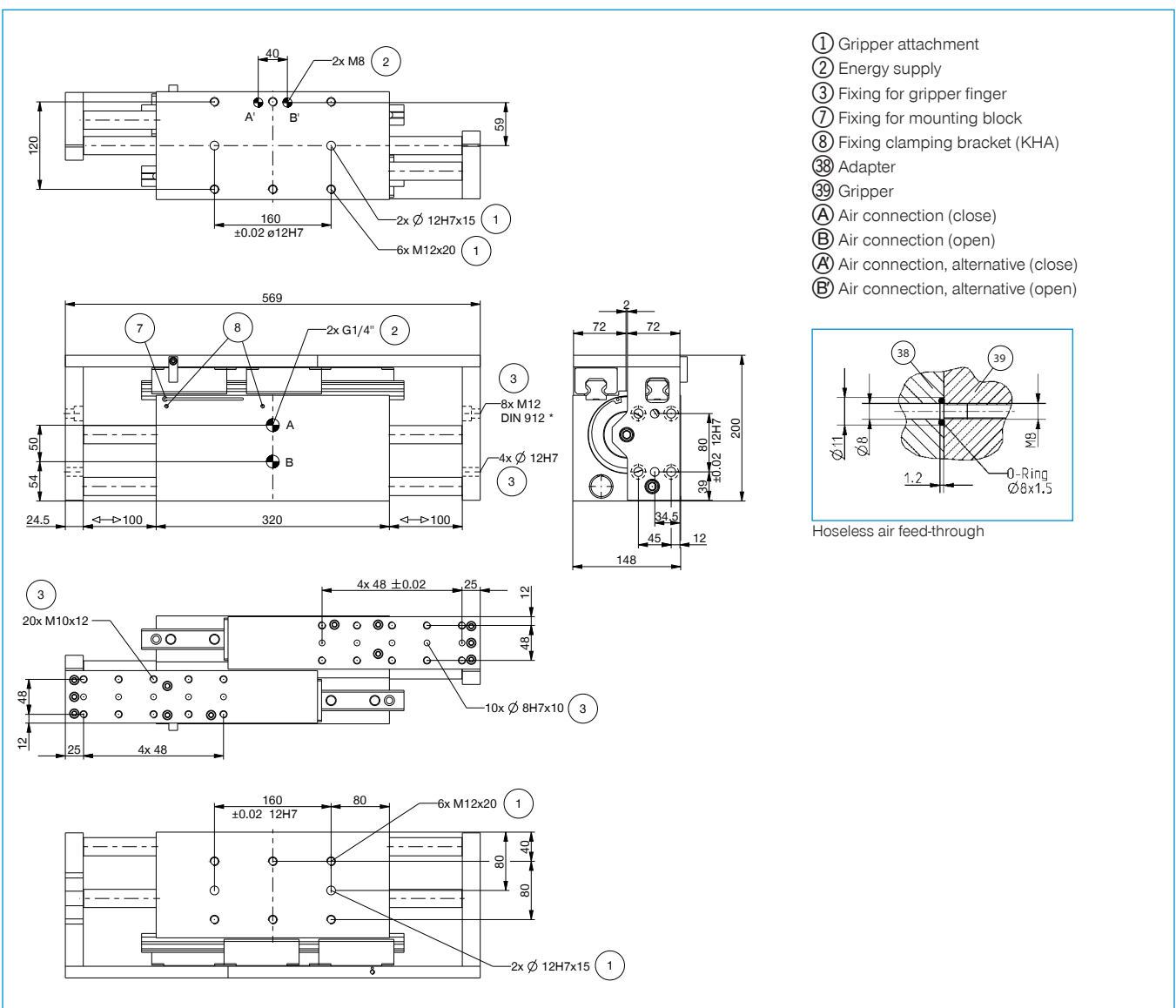


Pressure Safety Valve

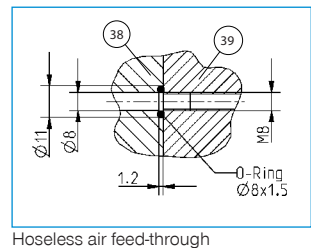
DSV1-8

▶ Technical Data*	
<b>Order no.</b>	<b>GH76100</b>
Stroke per jaw [mm]	100
Gripping force in closing [N]	8000
Gripping force in opening [N]	8500
Closing time [s]	1.5
Opening time [s]	1.5
Repetition accuracy +/- [mm]	0.05
Operating pressure min. [bar]	3
Operating pressure max. [bar]	8
Operating temperature min. [°C]	5
Operating temperature max. [°C]	+80
Air volume per cycle [cm³]	3040
Weight [kg]	36

\*All data measured at 6 bar

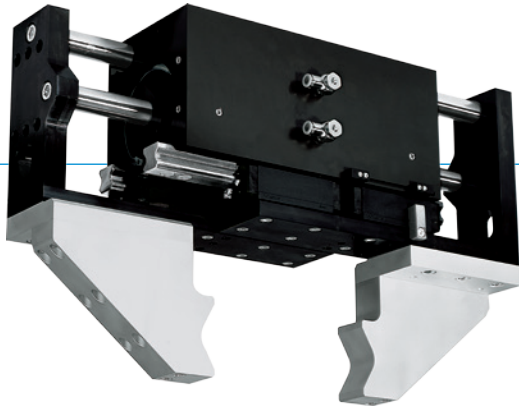


- ① Gripper attachment
- ② Energy supply
- ③ Fixing for gripper finger
- ⑦ Fixing for mounting block
- ⑧ Fixing clamping bracket (KHA)
- ③⑧ Adapter
- ③⑨ Gripper
- Ⓐ Air connection (close)
- Ⓑ Air connection (open)
- Ⓐ Air connection, alternative (close)
- Ⓑ Air connection, alternative (open)



# 2-JAW PARALLEL GRIPPERS WITH LONG STROKE SERIES GH7000

## ▶ PRODUCT ADVANTAGES



### “The strong”

#### ▶ High gripping force

The high gripping force allows you to handle the heaviest workpieces in your application reliably

#### ▶ High moment load

The heavy-duty linear guide provides the highest possible durability for your application

#### ▶ Failure-free continuous operation

Our uncompromising „Made in Germany“ quality guarantees up to 10 million maintenance-free cycles

## ▶ THE BEST PRODUCT FOR YOUR APPLICATION



#### ▶ Our products welcome the challenge!

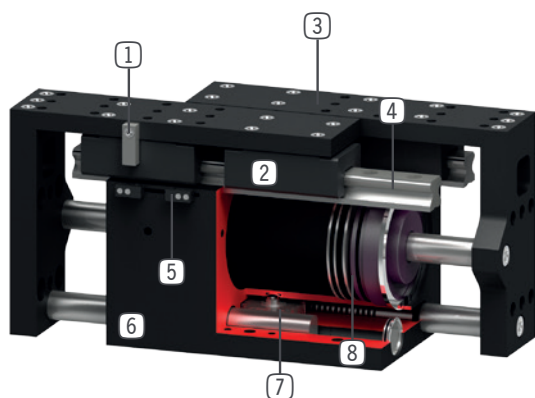
Extreme conditions, all over the world—our tried and tested components and systems give you endless possibilities.

Find the best product for your specific use:

[www.zimmer-group.de](http://www.zimmer-group.de)

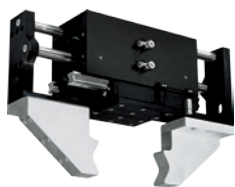


## ► BENEFITS IN DETAIL



- ① **Switch cam**
  - for position sensing
- ② **Carriage with wiper**
  - for use under extreme conditions
- ③ **Gripper jaw**
  - individual gripper finger mounting
- ④ **Precise linear guide**
  - ideal for highest transverse forces and loads
  - double secured against twisting
- ⑤ **Mounting block adjustable**
  - direct sensing of the gripper jaw position
- ⑥ **Robust, lightweight housing**
  - Hard-coated aluminum alloy
- ⑦ **Synchronization**
  - via rack and pinion
- ⑧ **Drive**
  - two double-acting pneumatic cylinders

## ► SERIES CHARACTERISTICS



Number of installation sizes	2
Stroke per jaw	65 mm - 100 mm
Gripping force	8500 N - 8500 N
Weight	31 kg - 36 kg
AP class	3



10 million maintenance-free cycles (max.)



Inductive sensor



IP64