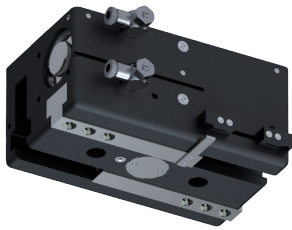


# 2-JAW PARALLEL GRIPPERS WITH LONG STROKE INSTALLATION SIZE GH6260

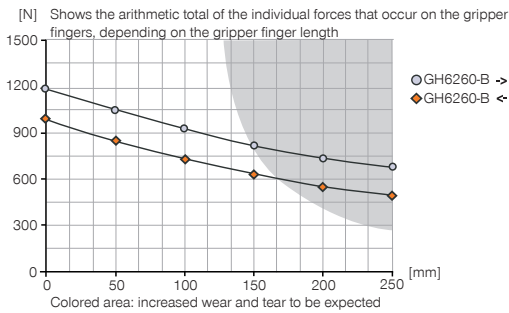
1

Installation size GH6260 / 2-Jaw Parallel Grippers with Long Stroke / pneumatic / Grippers

## ▶ PRODUCT SPECIFICATIONS

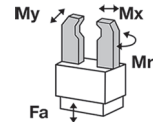


### ▶ Gripping force diagram



### ▶ Forces and moments

Displays static forces and moments that can also have an effect, besides the gripping force.



Mr [Nm]	120
Mx [Nm]	150
My [Nm]	100
Fa [N]	3000

## ▶ INCLUDED IN DELIVERY



Mounting block

KB8-28



Centering Disc

DST41000



Flow Control Valves - with Swivel joint

DRV1-8X8

## ▶ RECOMMENDED ACCESSORIES



Universal Jaw Aluminium

UB6200-B



Alternate proximity bracket

KHA6260-B-8



Inductive proximity switch - Cable 5 m

NJ8-E2



Inductive proximity switch - Connector M8

NJ8-E2S



Magnetic field sensor Angled Cable 5 m

MFS103KHC



Magnetic field sensor Angled Cable 0,3 m - Connector M8

MFS103SKHC



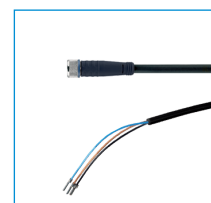
Magnetic field sensor Straight Cable 5 m

MFS204KHC



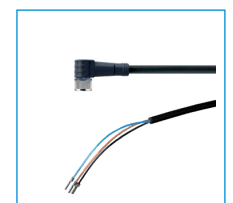
Magnetic field sensor Straight Cable 0,3 m - Connector M8

MFS204SKHC



Plug-in connector Straight Cable 5m - Socket M8 (female)

KAG500



Plug-in connector Angled Cable 5m - Socket M8 (female)

KAW500

Order no.	Technical Data*	
	GH6260-B	GHK6260
Stroke per jaw [mm]	60	60
Gripping force in closing [N]	1200	1200
Gripping force in opening [N]	980	980
Retention force in case of drop in pressure [N]		640
Closing time [s]	0.35	0.35
Opening time [s]	0.35	0.35
Repetition accuracy +/- [mm]	0.05	0.05
Operating pressure min. [bar]	3	3
Operating pressure max. [bar]	8	8
Operating temperature min. [°C]	5	5
Operating temperature max. [°C]	+80	+80
Air volume per cycle [cm <sup>3</sup> ]	275	275
Weight [kg]	4.1	4.6

\*All data measured at 6 bar  
GHK series, see page 221

Technical drawings of the GH6260 gripper showing dimensions and callouts:

- Top view: 100 mm height, 70 mm distance from top edge to center, 80 mm distance between air connections, 120±0.02 mm total width. Callouts: 2x M5, 2x Ø8H7x8 (1), 2x M10x15 (1).
- Front view: 29 mm jaw width, 16 mm jaw thickness, 15 mm distance from bottom edge to center. Callouts: 4x M5x8.
- Side view: 78.5 mm height, 80 mm distance from top edge to center, 42 mm distance from bottom edge to center, 8 mm distance from bottom edge to air connection. Callouts: 7, 6, 2x M5x5.5 (8), 2x G1/8" (2), 4x M5x8.
- Detail view X: 35 mm distance from top edge to center, 14 mm distance from bottom edge to center, 82 mm distance between air connections, 4x M5x8. Callouts: X, Y, 4x M5x8.
- Detail view Y: 110 mm distance between air connections, 15±0.02 mm distance from center to air connection, 10 mm distance from top edge to center, 50 mm distance from bottom edge to center, 110 mm total width, 2x M8 DIN 912\* (1).
- Detail view Z: 100 mm distance between air connections, 9 mm distance from top edge to center, 40 mm distance from bottom edge to center, 54 mm distance from bottom edge to air connection. Callouts: 1 4x M6x9, 1 2x Ø6H7x8.
- Detail view W: 15 mm distance from top edge to center, 14 mm distance from bottom edge to center, M5 (2).
- Detail view V: 40 mm distance between air connections, 66 mm distance from center to air connection, 27 mm distance from bottom edge to center, 39.5 mm distance from top edge to center, 35 mm distance from bottom edge to center. Callouts: 38, 39, O-Ring Ø5x2.

Hoseless air feed-through

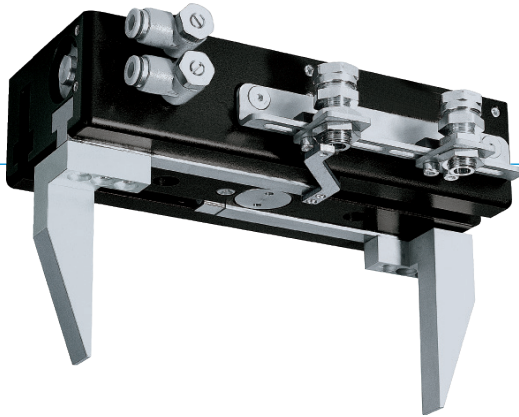
- 1 Gripper attachment
- 2 Energy supply
- 3 Fixing for gripper finger
- 4 Lubrication nipple
- 6 Integrated slot for magnetic field sensor
- 7 Fixing for mounting block
- 8 Fixing clamping bracket (KHA)
- 38 Adapter
- 39 Gripper
- A Air connection (close)
- B Air connection (open)
- A Air connection, alternative (close)
- B Air connection, alternative (open)

# 2-JAW PARALLEL GRIPPERS WITH LONG STROKE SERIES GH6000

1

Series GH6000 / 2-Jaw Parallel Grippers with Long Stroke / pneumatic / Grippers

## ▶ PRODUCT ADVANTAGES



### “The robust”

#### ▶ Gripper jaws may be up to 25% longer in comparison to the benchmark

The highest force and torque measurement enables flexible for maximum dynamics

#### ▶ Over 30% more powerful than the benchmark

Optimisation of weight and force reduces your application costs since all components can have a smaller scale

#### ▶ Failure-free continuous operation

Our uncompromising „Made in Germany“ quality guarantees up to 10 million maintenance-free cycles

## ▶ THE BEST PRODUCT FOR YOUR APPLICATION



#### ▶ Our products welcome the challenge!

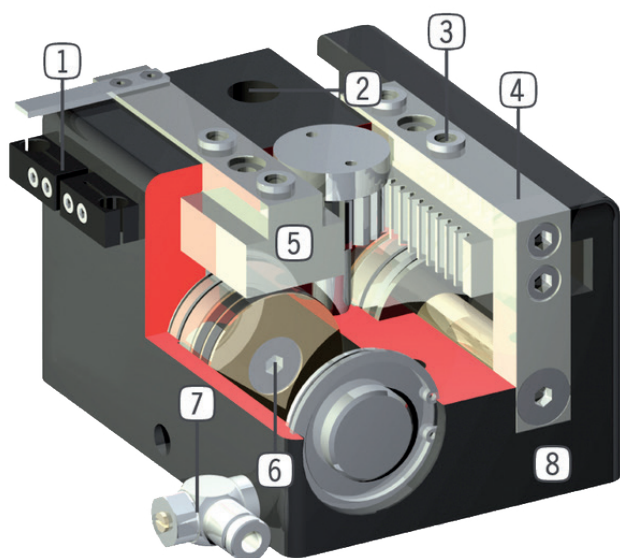
Extreme conditions, all over the world—our tried and tested components and systems give you endless possibilities.

Find the best product for your specific use:

[www.zimmer-group.de](http://www.zimmer-group.de)



## ► BENEFITS IN DETAIL



- ① **Mounting block**
  - mounting for inductive proximity switch
- ② **Mounting and positioning**
  - mounting possible from several sides for versatile positioning
- ③ **Removable centering sleeves**
  - quick and economical positioning of the gripper fingers
- ④ **Gripper jaw**
  - individual gripper finger mounting
- ⑤ **Precise long T-Slot guides**
  - high forces and moments capacity
- ⑥ **Drive**
  - two double-acting pneumatic cylinders
  - synchronized by gearwheel
- ⑦ **Energy supply**
  - possible from several sides
  - CAUTION: always operate long stroke gripper with supplied exhaust air flow control valve (speed regulation)
- ⑧ **Robust, lightweight housing**
  - Hard-coated aluminum alloy

## ► SERIES CHARACTERISTICS



Number of installation sizes	5
Stroke per jaw	20 mm - 200 mm
Gripping force	120 N - 3400 N
Weight	0,3 kg - 23,8 kg
AP class	3



10 million maintenance-free cycles (max.)



Inductive sensor



IP40



Magnetic field sensor