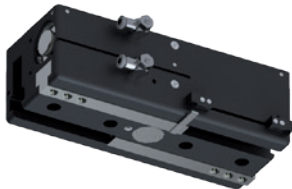


# 2-JAW PARALLEL GRIPPERS WITH LONG STROKE INSTALLATION SIZE GH62100

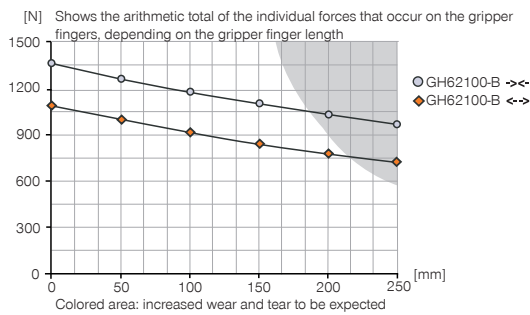
1

Installation size GH62100 / 2-Jaw Parallel Grippers with Long Stroke / pneumatic / Grippers

## ▶ PRODUCT SPECIFICATIONS

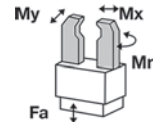


### ▶ Gripping force diagram



### ▶ Forces and moments

Displays static forces and moments that can also have an effect, besides the gripping force.



Mr [Nm]	160
Mx [Nm]	200
My [Nm]	140
Fa [N]	3000

## ▶ INCLUDED IN DELIVERY



Mounting block

**KB8-28**



Centering Disc

**DST41000**



Flow Control Valves - with Swivel joint

**DRV1-8X8**

## ▶ RECOMMENDED ACCESSORIES



Universal Jaw Aluminium

**UB6200-B**



Alternate proximity bracket

**KHA62100-B-8**



Inductive proximity switch - Cable 5 m

**NJ8-E2**



Inductive proximity switch - Connector M8

**NJ8-E2S**



Magnetic field sensor Angled Cable 5 m

**MFS103KHC**



Magnetic field sensor Angled Cable 0,3 m - Connector M8

**MFS103SKHC**



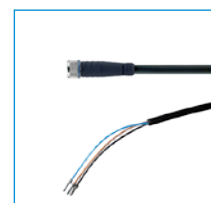
Magnetic field sensor Straight Cable 5 m

**MFS204KHC**



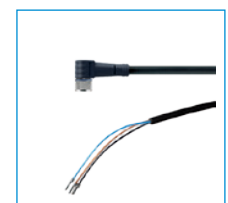
Magnetic field sensor Straight Cable 0,3 m - Connector M8

**MFS204SKHC**



Plug-in connector Straight Cable 5m - Socket M8 (female)

**KAG500**

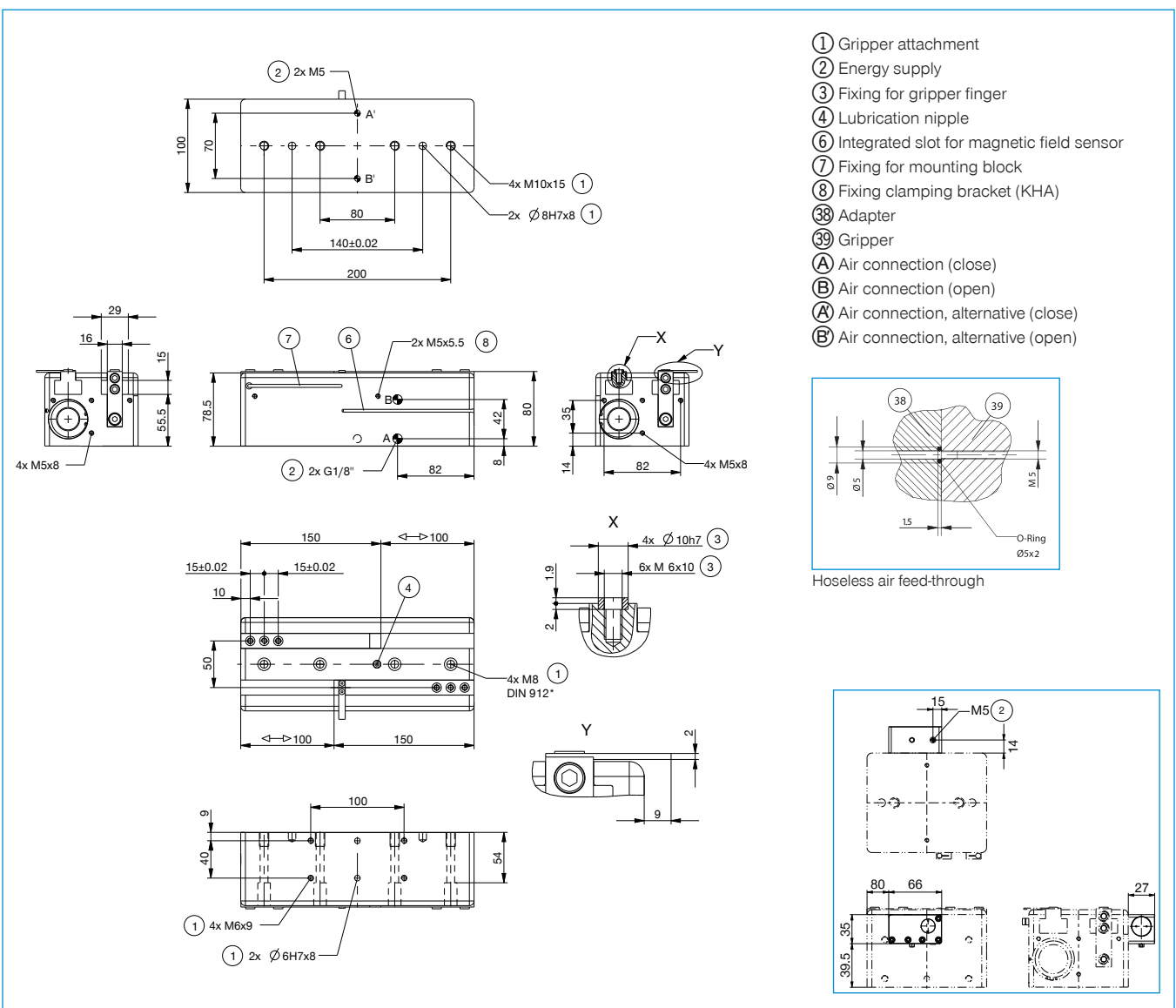


Plug-in connector Angled Cable 5m - Socket M8 (female)

**KAW500**

Order no.	▶ Technical Data*	
	GH62100-B	GHK62100
Stroke per jaw [mm]	100	100
Gripping force in closing [N]	1350	1350
Gripping force in opening [N]	1100	1100
Retention force in case of drop in pressure [N]		640
Closing time [s]	0.45	0.45
Opening time [s]	0.45	0.45
Repetition accuracy +/- [mm]	0.05	0.05
Operating pressure min. [bar]	3	3
Operating pressure max. [bar]	8	8
Operating temperature min. [°C]	5	5
Operating temperature max. [°C]	+80	+80
Air volume per cycle [cm³]	458	458
Weight [kg]	5.6	6.1

\*All data measured at 6 bar  
GHK series, see page 221

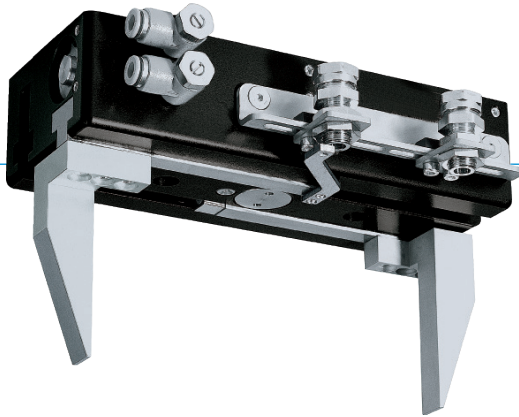


# 2-JAW PARALLEL GRIPPERS WITH LONG STROKE SERIES GH6000

1

Series GH6000 / 2-Jaw Parallel Grippers with Long Stroke / pneumatic / Grippers

## ▶ PRODUCT ADVANTAGES



### “The robust”

▶ **Gripper jaws may be up to 25% longer in comparison to the benchmark**

The highest force and torque measurement enables flexible for maximum dynamics

▶ **Over 30% more powerful than the benchmark**

Optimisation of weight and force reduces your application costs since all components can have a smaller scale

▶ **Failure-free continuous operation**

Our uncompromising „Made in Germany“ quality guarantees up to 10 million maintenance-free cycles

## ▶ THE BEST PRODUCT FOR YOUR APPLICATION



▶ **Our products welcome the challenge!**

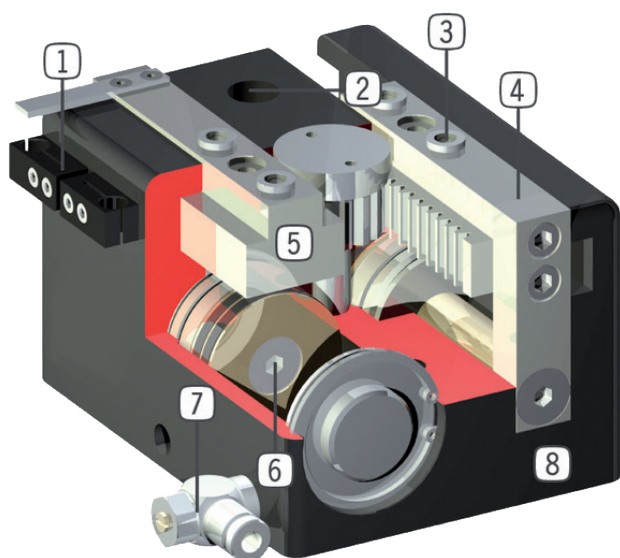
Extreme conditions, all over the world—our tried and tested components and systems give you endless possibilities.

Find the best product for your specific use:

[www.zimmer-group.de](http://www.zimmer-group.de)



## ► BENEFITS IN DETAIL



- ① **Mounting block**  
- mounting for inductive proximity switch
- ② **Mounting and positioning**  
- mounting possible from several sides for versatile positioning
- ③ **Removable centering sleeves**  
- quick and economical positioning of the gripper fingers
- ④ **Gripper jaw**  
- individual gripper finger mounting
- ⑤ **Precise long T-Slot guides**  
- high forces and moments capacity
- ⑥ **Drive**  
- two double-acting pneumatic cylinders  
- synchronized by gearwheel
- ⑦ **Energy supply**  
- possible from several sides  
- CAUTION: always operate long stroke gripper with supplied exhaust air flow control valve (speed regulation)
- ⑧ **Robust, lightweight housing**  
- Hard-coated aluminum alloy

## ► SERIES CHARACTERISTICS



Number of installation sizes	5
Stroke per jaw	20 mm - 200 mm
Gripping force	120 N - 3400 N
Weight	0,3 kg - 23,8 kg
AP class	3



10 million maintenance-free cycles (max.)



Inductive sensor



IP40



Magnetic field sensor