

TAMRON

LW IR Thermal Camera Module LW10F12-ET

Overview

- Compact Thermal Camera Module products adopted by shutter-less NUC (Nonuniformity Correction)
- Three products which cover from wide to telephoto field of view available (LW10F12-ET :this model uses telephoto type lens)
- Thanks to high performance lenses and original temperature computation format, able to measure temperature of the dedicated points. and output both temperature data and thermal image data at the same time

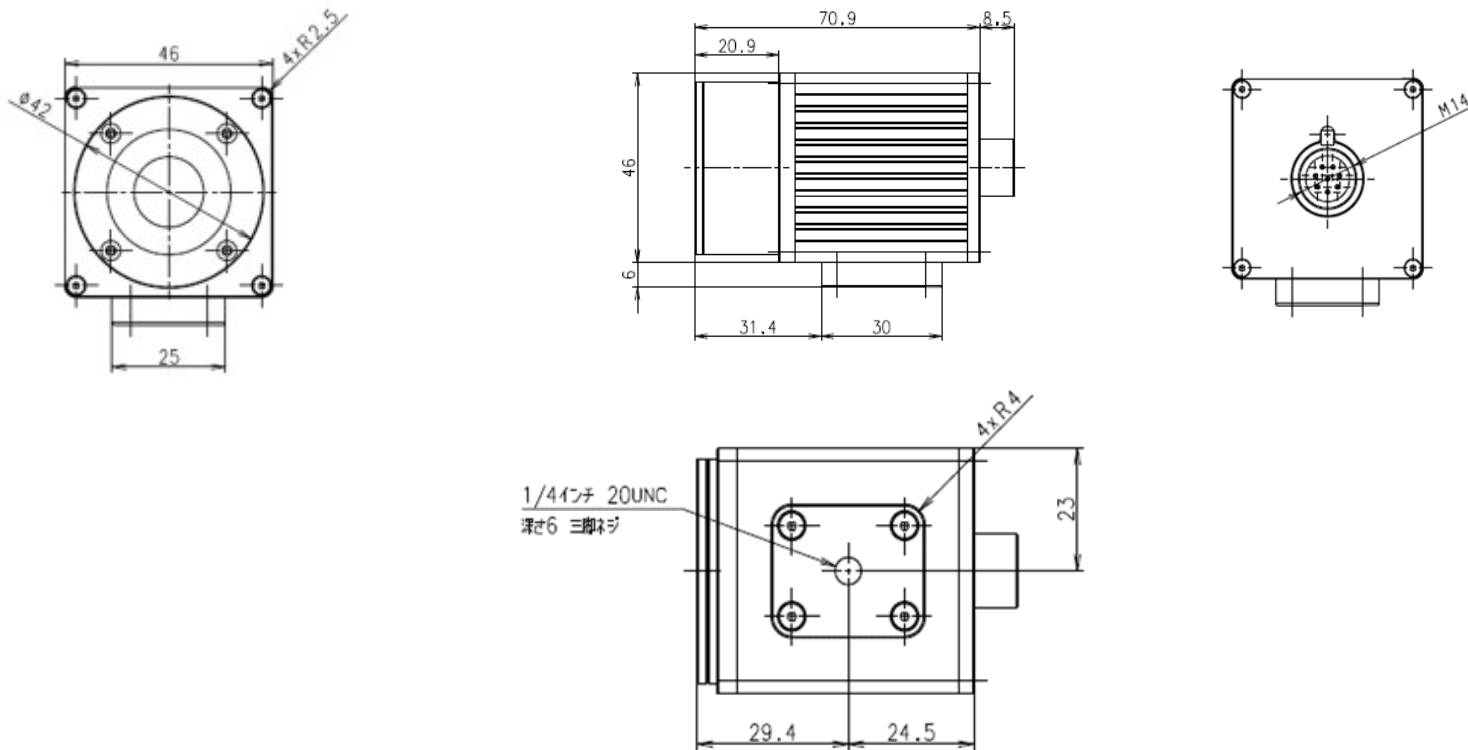
Specifications

■ Detector Detector type Uncooled microbolometer Wavelength 8~12 μm		■ Image processing Noise reduction (DNR) OFF/2D/3D (at 8bit thermal image mode) GAMMA Adjustable(at 8bit thermal image mode) Histogram average Auto/Manual(at 8bit thermal image mode)	
■ Image/Optical Effective pixel 80 x 80 pixel NETD 100mK (typical) Lens Focal Length f=13mm F/1.1 Field of view (FOV) 12° (H) x 12° (V) Focus Adjustable Minimum object distance 20cm		■ Interface Interface 10BASE-T/100BASE-TX PoE Ethernet Interface connector M12 8-pin connector (The waterproof cable which converts from 8pin to RJ45 male is included) Output data 1)16bit temperature data (UDP protocol) 2) 8bit thermal image data (UDP protocol) 3)16bit temperature + 8bit thermal image data(UDP protocol) 1)2)3): selectable	
■ Temperature measurement Temperature correction Tamron's original temperature computation format Thermal image temperature range -40°C~200°C Temperature measurement range 10°C~100°C Temperature measurement accuracy 10°C~60°C: ±2°C ※Ambient Temperature : 10°C~40°C 10°C~100°C: ±5°C ※Ambient Temperature : 0°C~60°C ※Not able to guarantee absolute temperature Variance may occur due to the difference in measurement conditions		communication protocol Tamron original protocol Frame rate 1/2/4/8 fps	
■ Temperature analysis function Temperature analysis area 6400 pixel (always measures temperature each pixel)		■ General Power requirement Power over Ethernet(PoE) ,IEEE802.3 af Power consumption Max 1.5W Performance temperature/humidity 0°C ~ +60°C / 20 ~80% (no condensation) Operating temperature/humidity -20°C ~ +70°C / 20 ~80% (no condensation) Storage temperature -20°C ~ +70°C Dimensions (W x H x D) 46 x 46 x 71mm Weight Approx 228g Dust/Water proof equivalent to IP67 level	

※Specifications and design subject to change without notice

Dimensions

unit: mm



Model name	Tamron co.Ltd	Category	Issue	page
LW10F12-ET		LW IR Thermal camera module	2020/8	1/1