

# Prosilica GC

## 750



- ON Semiconductor MT9V022 sensor
- 67 fps @ full resolution
- Rugged housing
- Video-type auto iris

## Description

Low cost Gigabit Ethernet camera, 67 frames per second

Prosilica#GC750/GC750C is an ultra-compact, economically priced, machine vision camera with a GigE Vision compliant Gigabit Ethernet interface. This camera runs 67 frames per second at full resolution. The ON Semiconductor (Aptina) MT9V022 CMOS sensor is suitable for applications where excellent near-infrared sensitivity and resistance to blooming are required.

### Options:

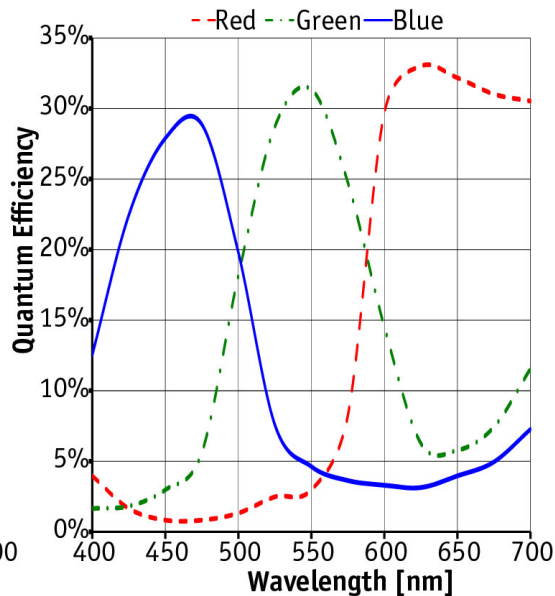
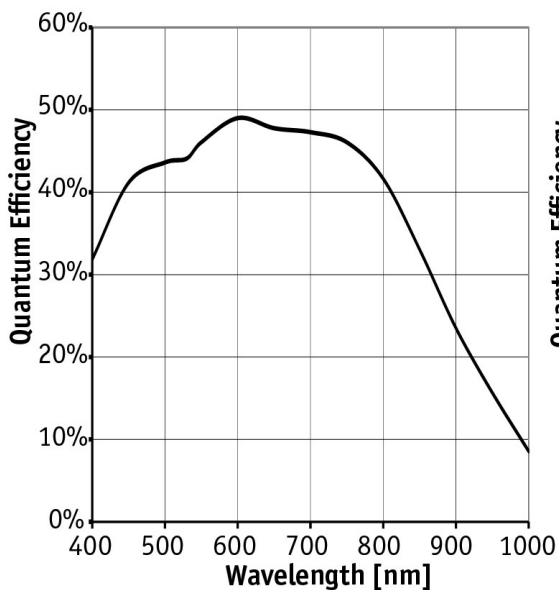
- CS-Mount
- Optical filters (IR cut filter/Protection glass)

See the [#Modular Concept#](#) for lens mount and optical filter options.

## Specifications

Prosilica GC	750
Interface	IEEE 802.3 1000baseT
Resolution	752 (H) × 480 (V)
Sensor	OnSemi MT9V022
Sensor type	CMOS
Cell size	6 μm x 6 μm
Lens mount	C-Mount
Max frame rate at full resolution	67 fps
ADC	10 bit
Image buffer (RAM)	16 MByte
	<b>Output</b>
Bit depth	8/10 bit

<b>Prosilica GC</b>	<b>750</b>
Mono modes	Mono8, Mono10
Color modes RGB	RGB8Packed, BGR8Packed, RGBA8Packed, BGRA8Packed
Raw modes	BayerBG8, BayerBG10
<b>General purpose inputs/outputs (GPIOs)</b>	
TTL I/Os	1 input, 1 output
Opto-isolated I/Os	1 input, 1 output
RS-232	1
<b>Operating conditions/dimensions</b>	
Operating temperature	0 °C to +50 °C ambient (without condensation)
Power requirements (DC)	5 to 25 VDC
Power consumption (@12 V)	2.2 W
Mass	85 g
Body dimensions (L × W × H in mm)	45 × 46 × 33 (including connectors)
Regulations	CE, RoHS, REACH, WEEE, FCC, ICES



## Features

### Image optimization features:

- Auto gain (manual gain control: 0 to 48 dB)
- Auto exposure (manual exposure control: #30 #s to 60 s @ 1 #s increments)
- Auto white balance

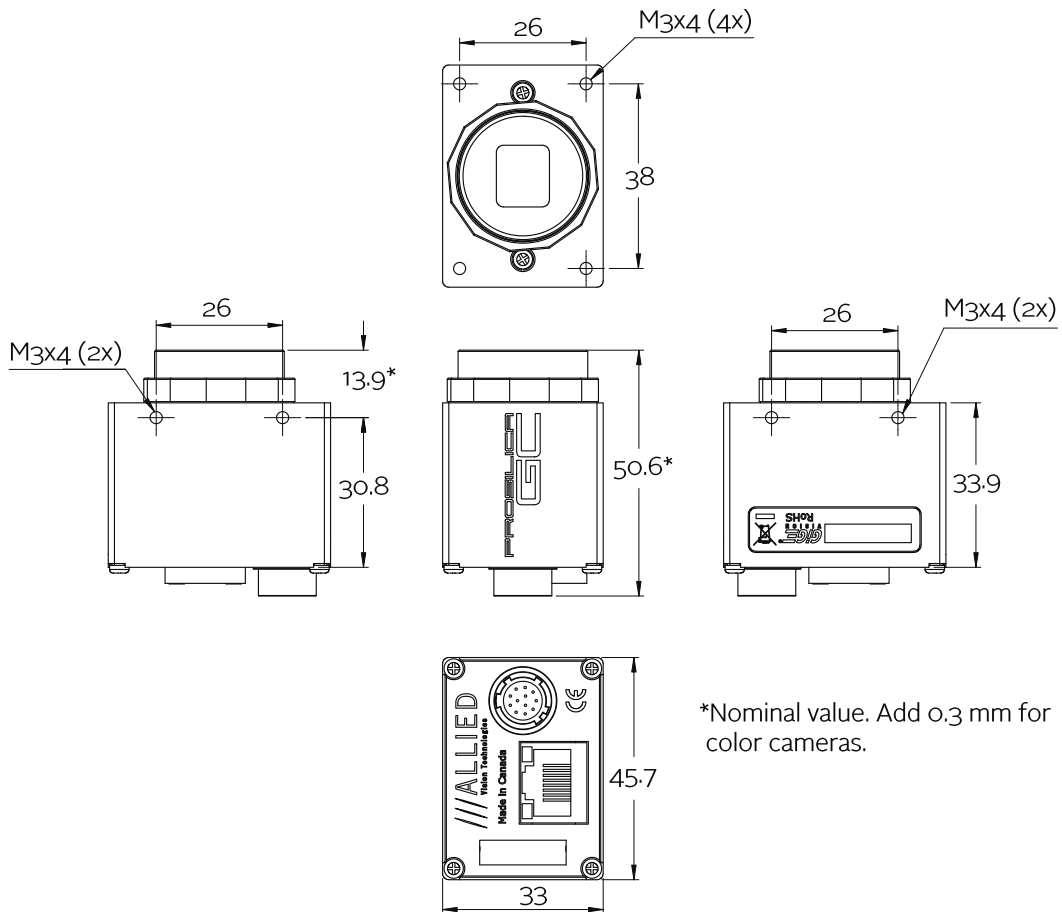


- Region of interest (ROI), DSP subregion (selectable ROI for auto features)

**Camera control features:**

- Auto-iris (video type)
- Event channel
- Global shutter (digital shutter)
- IEEE 1588 Precision Time Protocol (PTP)
- Image chunk data
- Recorder and Multiframe acquisition modes
- RS232
- Storable user sets (5)
- StreamBytesPerSecond (easy bandwidth control)
- Stream hold
- Sync out modes: Trigger ready, input, exposing, readout, imaging, strobe, GPO

## Technical drawing





## Applications

**Prosilica#GC750/GC750C is ideal for a wide range of applications including:**

- High-speed inspection
- Machine vision
- Optical character recognition
- Traffic imaging
- Robotics
- OEM applications