

SPEC. INFO	FL-YFL5028 RF SPEC.	3152893-S001-RF-B12
		Oct. 02. 2012

1. Model FL-YFL5028
2. Application For Line Scan Camera

3. Specification

3-1. Physical (As per the attached drawing)

- (1) Dimensions $\phi 72 \text{ mm} \times 56.8 \text{ mm}$
(2) Weight 370 g
(3) Mount Suitable for F type mount (NIKON Bajonett mount)
(4) Filter Screw Size $\phi 62 \text{ mm}$, P = 0.75 mm

3-2. Optical

- (1) Focal Length 50 mm $\pm 5\%$
(2) Max. Aperture Ratio 1: 2.8
(3) Iris Range F / 2.8 to F / 22
(4) Angle of View 47.6° Horizontal
(5) Picture format $\phi 45 \text{ mm}$
(6) Focusing Range Inf. to 0.25 m
(7) Back Focal Length 36.99 mm (in air)
(8) Flange Back Length 46.5 mm $\pm 0.05 \text{ mm}$ (in air)

3-3. Mechanical

- (1) Focusing Mechanism Straight Helicoid
Rotation Angle 140°
Rotation Torque 5.0 N·cm to 30.0 N·cm
Focus Ring can be fixed at any positions by fixing lever (refer to external view)
- (2) Iris Mechanism Click Type
Rotation Angle 85°
Rotation Torque 10.0 N·cm to 30.0 N·cm

3-4. Vibration & Shock Test Standard

(1) Vibration Conditions

Wave	Sine Wave
Acceleration	1.96 m/s ² to 59.78 m/s ²
Cycle Range	10 Hz to 55 Hz
Cycle Period	3 Minutes
Duration of Vibration	120 Minutes Respectively in Three Dimensional Directions

(2) Shock Conditions

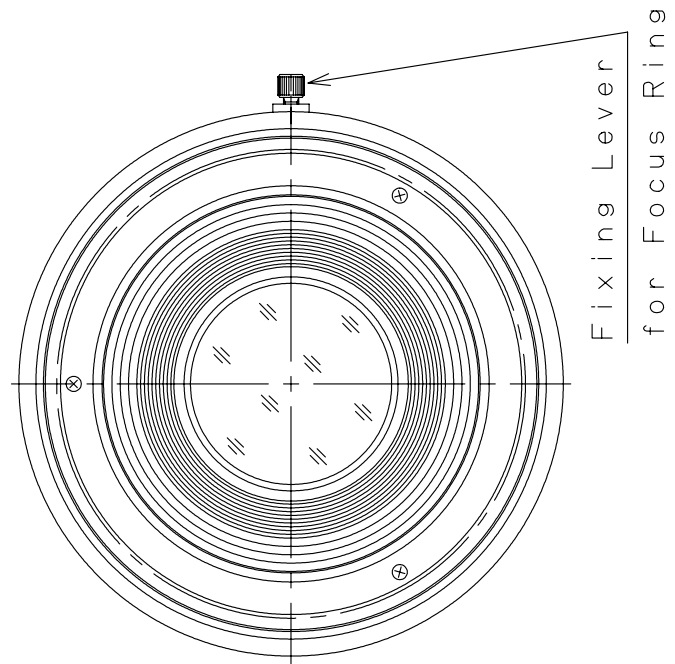
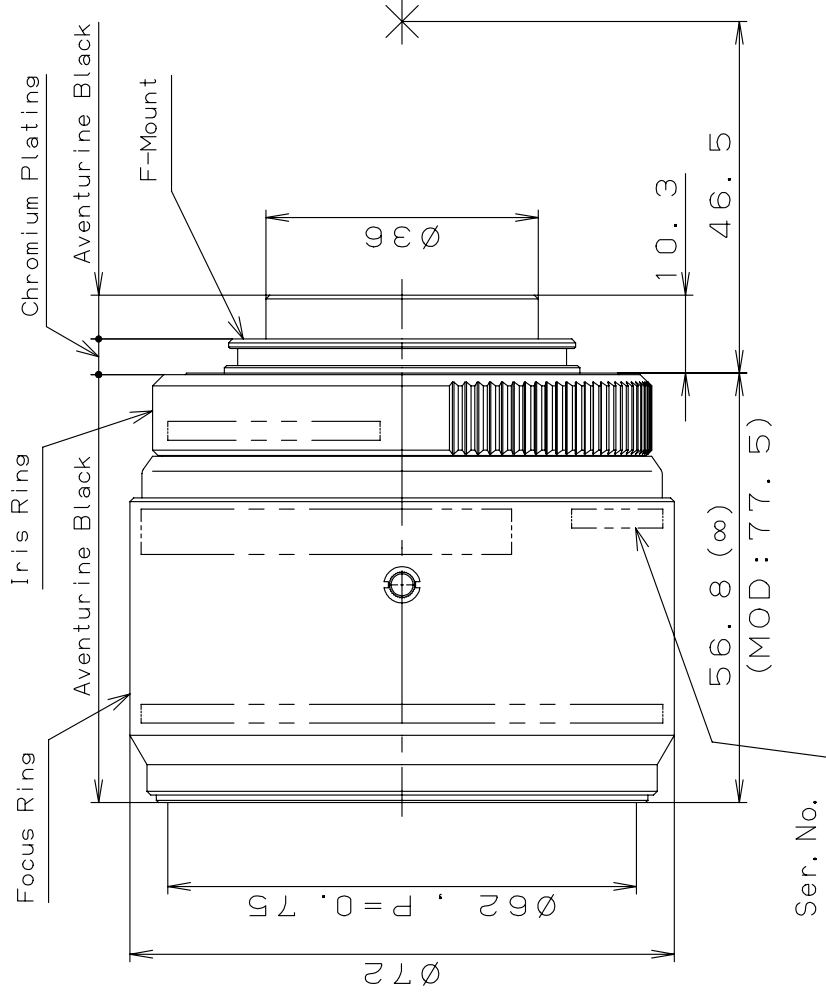
Tester	Shock Testing Machine by Dropping
Impact Force	588 m/s ²
Duration of Shock	3.5 ms
Directions & Number of Times	1 Time Respectively in Three Dimensional Directions

3-5. Environmental Temperature Range -20°C to +50°C

4. Accessories

- (1) Front Lens Cap 1 piece
(2) Rear Lens Cap 1 piece
(3) Fixing lever for Focus Ring 1 piece
(4) Packing Box 1 piece

RICOH		LINE-SCAN LENS		50mm	1:2.8
Name Label					
FL-YFL5028 F-MOUNT					
2	2.5	3	4	5	6 7 10
0.25	0.27	0.3	0.35	0.5	0.7 1
$1/X$					
∞ m					



Ser. No.

22 • 16 • 11 • 8 • 56 • 4 • 28

FL-YFL5028
3152893-S001-RC-B22
Oct.02.2012
SPEC. INFO
RICOH