

SPEC. INFO	FL-YFL3528 RF SPEC.	3152915-S001-RF-B12
		Oct. 02. 2012

1. Model FL-YFL3528
2. Application For Line Scan Camera

3. Specification

3-1. Physical (As per the attached drawing)

- (1) Dimensions $\phi 72 \text{ mm} \times 56.8 \text{ mm}$
- (2) Weight 360 g
- (3) Mount Suitable for F type mount (NIKON Bajonett mount)
- (4) Filter Screw Size $\phi 62 \text{ mm}$, P = 0.75 mm

3-2. Optical

- (1) Focal Length 35 mm $\pm 5\%$
- (2) Max. Aperture Ratio 1: 2.8
- (3) Iris Range F / 2.8 to F / 22
- (4) Angle of View 64.4° Horizontal
- (5) Picture format $\phi 45 \text{ mm}$
- (6) Focusing Range Inf. to 0.19 m
- (7) Back Focal Length 33.22 mm (in air)
- (8) Flange Back Length 46.5 mm $\pm 0.05 \text{ mm}$ (in air)

3-3. Mechanical

- (1) Focusing Mechanism Straight Helicoid
 Rotation Angle 104°
 Rotation Torque 5.0 N·cm to 30.0 N·cm
 Focus Ring can be fixed at any positions by fixing lever (refer to external view)
- (2) Iris Mechanism Click Type
 Rotation Angle 85°
 Rotation Torque 10.0 N·cm to 30.0 N·cm

3-4. Vibration & Shock Test Standard

(1) Vibration Conditions

Wave	Sine Wave
Acceleration	1.96 m/s ² to 59.78 m/s ²
Cycle Range	10 Hz to 55 Hz
Cycle Period	3 Minutes
Duration of Vibration	120 Minutes Respectively in Three Dimensional Directions

(2) Shock Conditions

Tester	Shock Testing Machine by Dropping
Impact Force	588 m/s ²
Duration of Shock	3.5 ms
Directions & Number of Times	1 Time Respectively in Three Dimensional Directions

3-5. Environmental Temperature Range -20°C to +50°C

4. Accessories

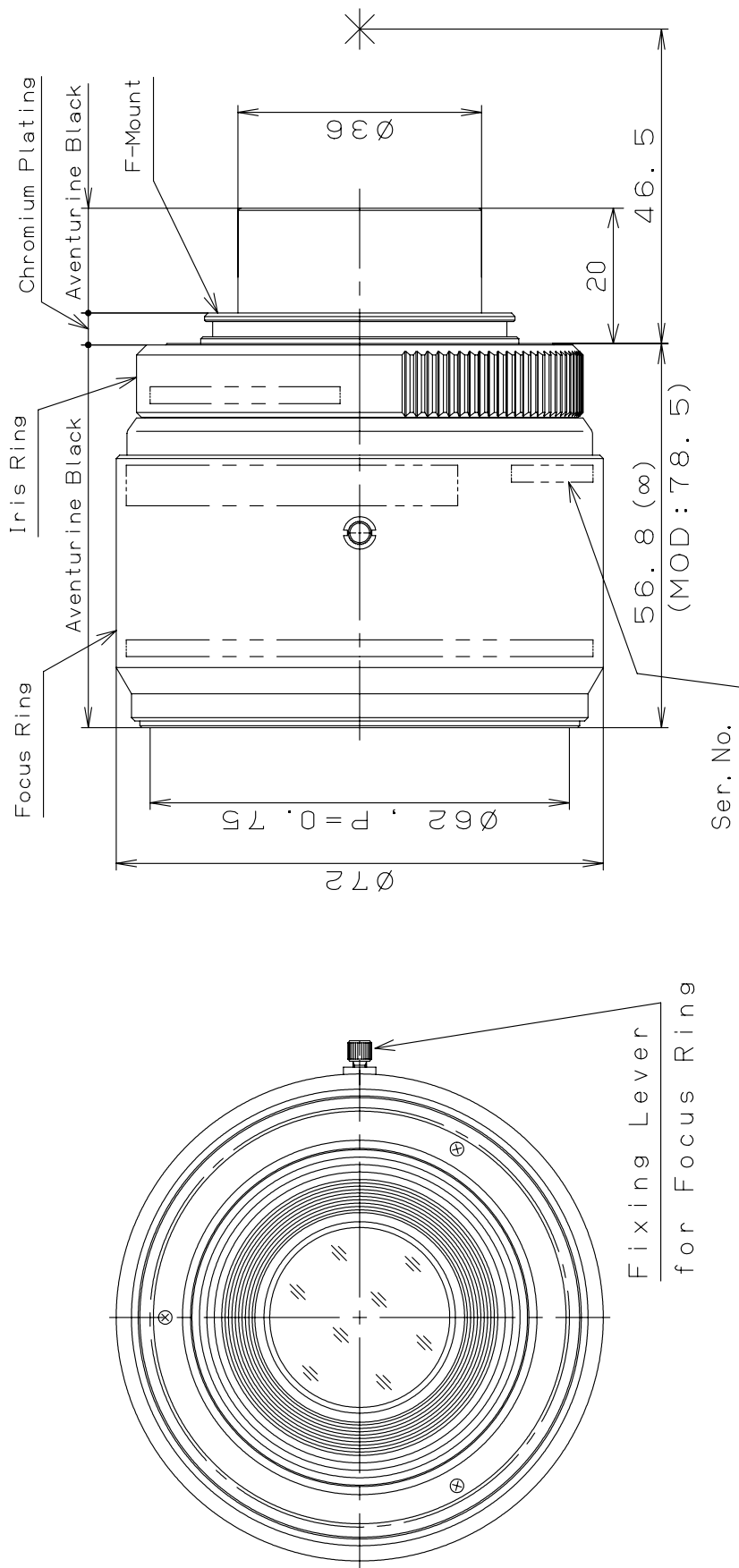
- (1) Front Lens Cap 1 piece
- (2) Rear Lens Cap 1 piece
- (3) Fixing lever for Focus Ring 1 piece
- (4) Packing Box 1 piece

RICOH **LINE-SCAN LENS** **35mm** **1:2.8**

Name Label

FL-YFL3528
F-MOUNT

$\frac{1}{X}$
2 **2.5** **3** **4** **5** **6** **7** **10**
0.19 **0.2** **0.24** **0.3** **0.5** **1** ∞ **m**



Fixing Lever
for Focus Ring

Ser. No.

22 • 16 • 11 • 8 • 56 • 4 • 28

SPEC. INFO	FL-YFL3528
	3152915-S001-RF-B22 Oct.02.2012

RICOH