

SPEC. INFO	FL-CC1214A-2M	K65084-S001-B13
		Oct. 10. 2013

1. Model FL-CC1214A-2M
2. Application For 2/3 Format Camera

3. Specification

3-1. Physical (As per the attached drawing)

- (1) Dimensions $\phi 29.5 \text{ mm} \times 45.7 \text{ mm}$
- (2) Weight 68 g
- (3) Mount C-Mount (1 – 32 UN – 2A)

3-2. Optical

- (1) Focal Length 12 mm $\pm 5\%$
- (2) Max. Aperture Ratio 1: 1.4
- (3) Iris Range F / 1.4 to F / 16
- (4) Angle of View
 Diagonal 47.9°
 Horizontal 39.4°
 Vertical 30.1°
- (5) Picture format 8.8 mm \times 6.6 mm
- (6) Focusing Range Inf. to 0.1 m
- (7) Back Focal Length 10.7 mm (in air)
- (8) Flange Back Length 17.526 mm \pm 0.05 mm (in air)

3-3. Mechanical

- (1) Focusing Mechanism Straight Helicoid
 Rotation Angle 106°
 Rotation Torque 0.2N·cm to 7.0 N·cm
 Focus Ring can be fixed at any positions by
 3 fixing screws (A) or 1 thumb screw (refer to external view)
- (2) Iris Mechanism Non-click, Close-down
 Rotation Angle 86°
 Rotation Torque 0.5N·cm to 7.0 N·cm
 Iris Ring can be fixed at any positions by 3 fixing screws (B)
 or 1 thumb screw (refer to external view)

3-4. Vibration & Shock Test Standard

(1) Vibration Conditions

Wave	Sine Wave
Acceleration	1.96 m/s ² to 59.78 m/s ²
Cycle Range	10 Hz to 55 Hz
Cycle Period	3 Minutes
Duration of Vibration	120 Minutes Respectively in Three Dimensional Directions

(2) Shock Conditions

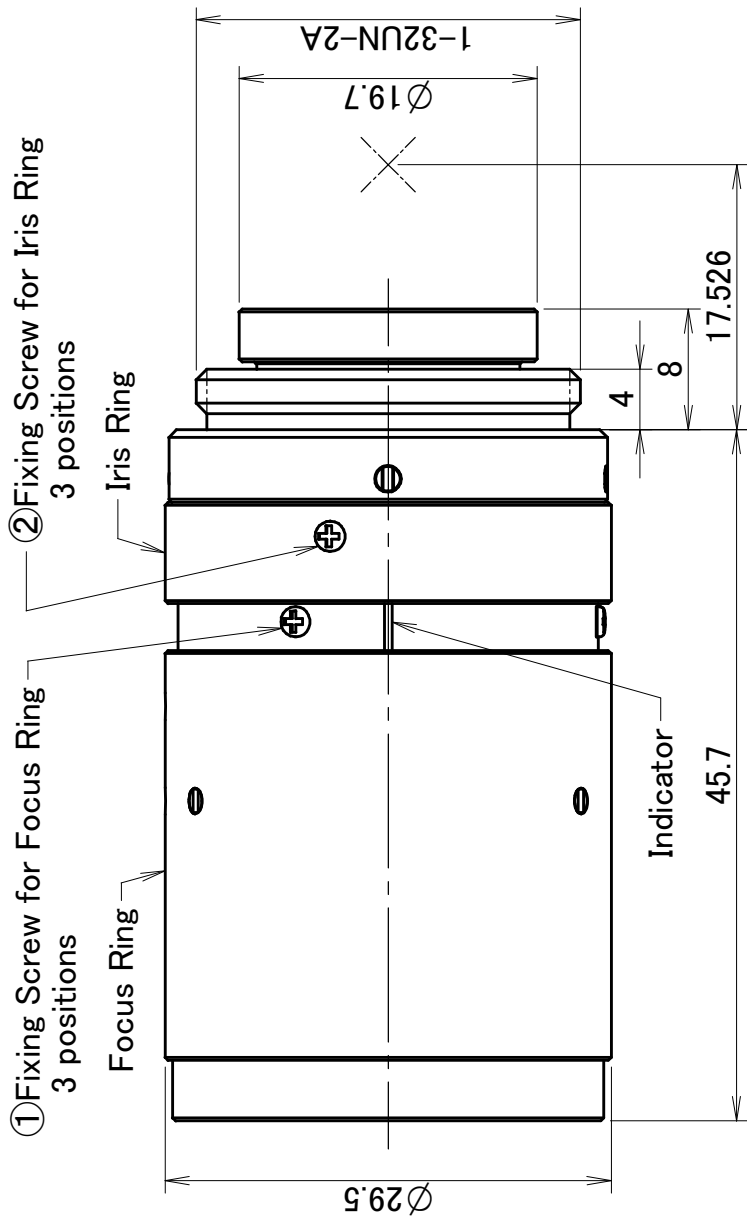
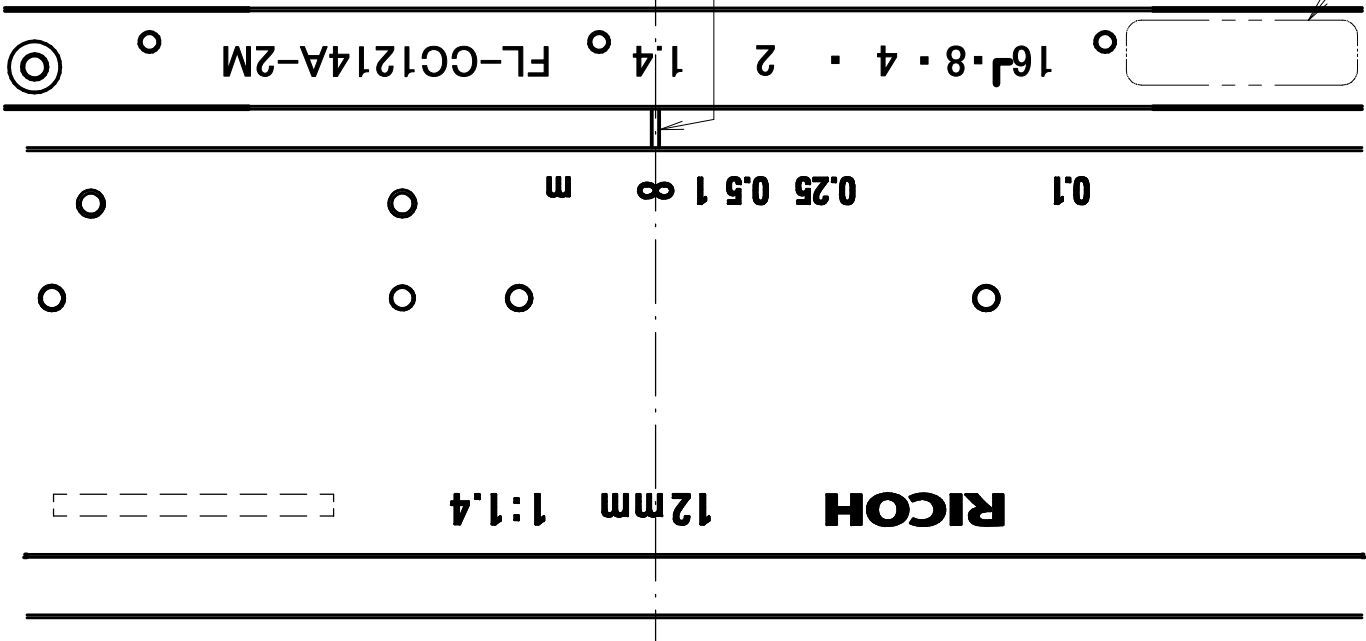
Tester	Shock Testing Machine by Dropping
Impact Force	588 m/s ²
Duration of Shock	3.5 ms
Directions & Number of Times	1 Time Respectively in Three Dimensional Directions

SPEC. INFO	FL-CC1214A-2M	K65084-S001-B23
		Oct. 10. 2013

3-5. Environmental Temperature Range -20°C to $+50^{\circ}\text{C}$

4. Accessories

- | | | |
|-----------------------------------|----------|----------------------|
| (1) Front Lens Cap | 1 piece | |
| (2) Rear Lens Cap | 1 piece | |
| (3) Fixing Screw ① for Focus Ring | 3 pieces | |
| (4) Fixing Screw ② for Iris Ring | 3 pieces | |
| (5) Thumbscrew for Focus Ring | 1 pieces | (for Optional Usage) |
| (6) Thumbscrew for Iris Ring | 1 pieces | (for Optional Usage) |
| (7) Packing Box | 1 piece | |



<p>① Fixing Screw for Focus Ring (3 pieces)</p> <p>M1.4</p>	<p>② Fixing Screw for Iris Ring (3 pieces)</p> <p>M1.4</p>
<p>Thum Screw for Focus Ring Optimal Usage (1 piece)</p> <p>M1.4</p>	<p>Thum Screw for Iris Ring Optimal Usage (1 piece)</p> <p>M1.4</p>

SPEC. INFO	FL-CC1214A-2M
	K65084-S001-B33
RICOH	Oct.10.2013

Ser. No.