

SPEC. INFO	FL-CC1214-2M	FL-CC1214-2M-S001-C-B12
		Jan. 10. 2013

1. Model FL-CC1214-2M

2. Application For 2/3 Format Camera

3. Specification

3-1. Physical (As per the attached drawing)

- (1) Dimensions $\phi 33.5 \text{ mm} \times 28.2 \text{ mm}$
- (2) Weight 62g
- (3) Filter Screw Size M30.5mm, P=0.5mm
- (3) Mount C -Mount

3-2. Optical

- (1) Focal Length 12 mm $\pm 5\%$
- (2) Max. Aperture Ratio 1: 1.4
- (3) Iris Range F / 1.4 to F / 16
- (4) Angle of View
 - Diagonal 49.2°
 - Horizontal 40.4°
 - Vertical 30.8°
- (5) Picture format 8.8 mm \times 6.6 mm
- (6) Focusing Range Inf. to 0.15 m (from front edge of barrel)
- (7) Back Focal Length 13.1 mm (in air)
- (8) Flange Back Length 17.526 mm (in air)

3-3. Mechanical

- (1) Focusing Mechanism Manual Focus
Focus Ring can be fixed at any position by Thumbscrew
- (2) Iris Mechanism Manual Iris
Iris Ring can be fixed at any position by Thumbscrew

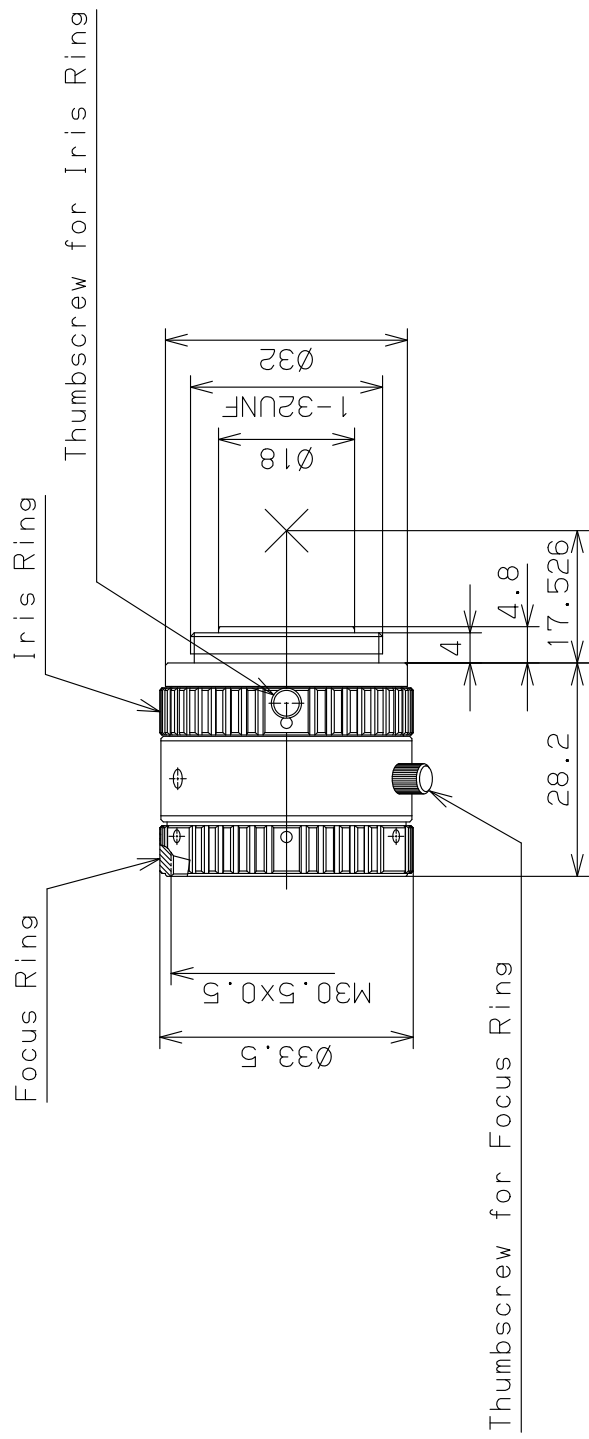
3-4. Vibration Test Standard

Wave	Sine Wave
Acceleration	29.4 m/s ²
Cycle Range	20 Hz to 50 Hz
Cycle Period	3 Minutes
Duration of Vibration	20 Minutes Respectively in Three Dimensional Directions

3-5. Environmental Temperature Range - 10°C to +50°C

4. Accessories

- (1) Front Lens Cap 1 piece
- (2) Rear Lens Cap 1 piece
- (3) Thumbscrew 2 pieces
- (4) Packing Box 1 piece



SPEC. INFO	FL-CC1214-2M-S001-C-B22
	Jan. 10. 2013
RICOH	