

Unique Design

The camera is designed for operation in high shock and vibration environments and has a robust metal housing. With its compact body, the EoSens® 25CXP can easily be set up even in tight spaces. The housing front draws heat away from the electronics, eliminating the need for a fan, and delivering quiet and vibration-free operation.

Future Proof Interface

The CoaXPress® interface standard is one of the most powerful transmission technologies in image processing today. Its features speak for themselves:

- Data rates up to 6.25 Gbit/s over a single coax cable
- Up to 25 Gbit/s using four cables
- Data, communication, control and power over one cable
- Real time behavior through fixed, low latency
- Precise triggering capability, even in multi-camera applications
- Flexible and reliable through use of standard coax cables
- Plug and play

Frame rates

Resolution	Frame rate
5,120 x 5,120 px	80 fps
4,096 x 3,072 px	165 fps
1,920 x 1,080 px	560 fps
1,280 x 1,024 px	590 fps
1,024 x 768 px	765 fps
	max. 6,870 fps

Smart Features

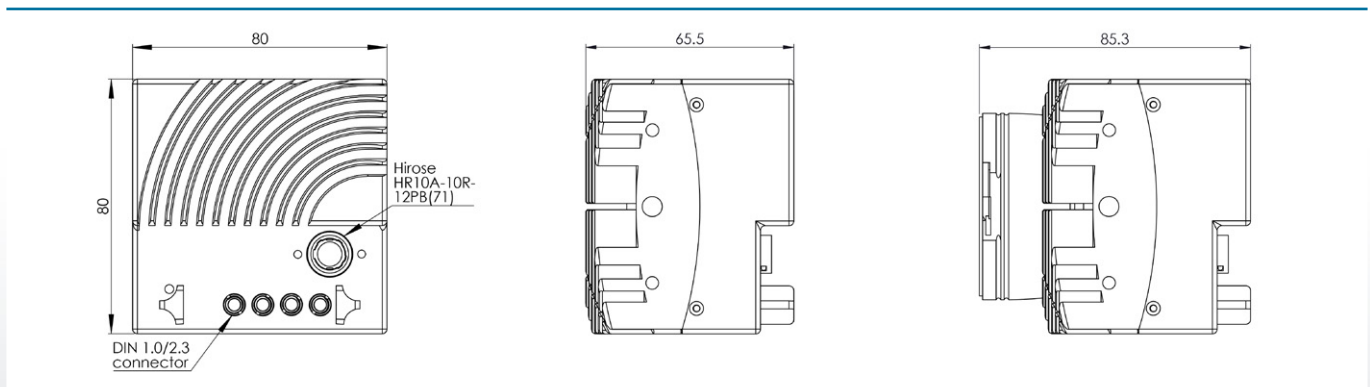
- PoCXP
- Trigger Modes
- Multiple ROI
- FPN Correction
- GPIO

Technical Data

(More detailed specifications are available on request)

EoSens® 25CXP (monochrome / color)	
Resolution	25 Mpix
Active pixels	5,120 x 5,120 px
Interface	CoaXPress® @ 4 x 6.25 Gbit/s
Frame rate (8 bit)	80 fps
Sensor	VITA 25K
Sensor type	CMOS global shutter
Sensor format	35 mm FF
Active sensor area (H x V)	23.04 x 23.04 mm
Pixel size	4.5 x 4.5 µm
Sensitivity (mono)	3.4 V/lux*s @ 550nm
Color depth	10 / 8 bit
Dynamic range	56 dB
Shutter time (steps)	1 µs
Shutter time range	1 µs – 0.25 s
Max. Trigger frequency	300 kHz
Max. Jitter	±4 ns
Connector options	DIN 1.0 / DIN 2.3
Mount options	F-Mount
Dimensions (W x H x L w/o mount)	80 x 80 x 66 mm
Weight (w/o mount)	540 g
Power consumption	12 W
Power supply	12 - 24 V DC
Camera body temperature	+5 °C ... +55 °C
Shock / Vibration proof	70 g / 7 grms
Conformity	CE / RoHS / GenICam / CoaXPress®
EMVA1288 reports	✓

Camera Body Dimensions



MIKROTRON GmbH

MIKROTRON GmbH provides a full range of high-speed imaging solutions for challenging applications in industry, engineering, science and sports. The company's extreme slow-motion recording enables customers to optimize manufacturing processes, improve product design, revolutionize quality management and analyze motion.

Germany
 Landshuter Str. 20-22
 D-85716 Unterschleissheim
 Phone: +49(0)89-726342-00
 E-Mail: info@mikrotron.de
 Web: www.mikrotron.de

North America
 14032 Hermosillo Way
 US-Poway, CA 92064
 Phone: +1-858-774-1176
 E-Mail: steve.ferrell@mikrotron.de
 Web: www.mikrotron.de

