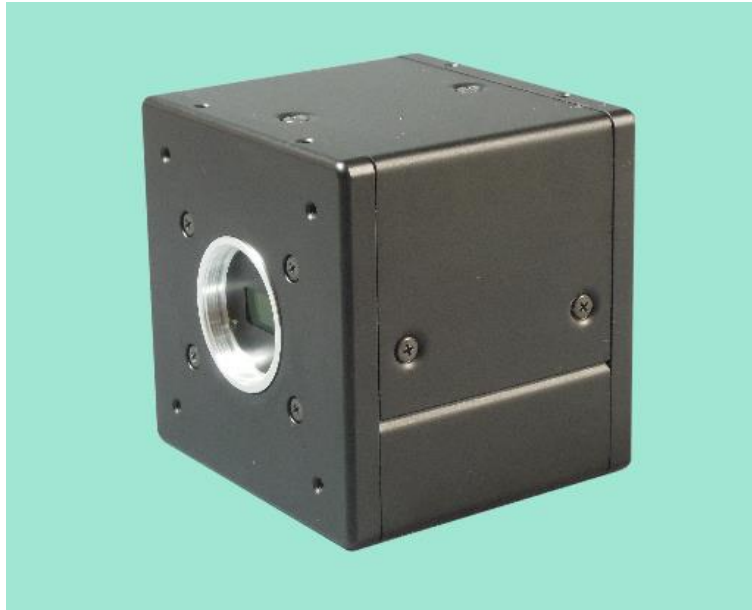


BV-C8300 3 Wavelength RGB Color Video Camera

BV-C8300 is 3CCD color camera which employs newly developed prism optics and uses 1/3" VGA Progressive scan CCDs. It can capture the image with high speed of the maximum 200 frames per second. C mount and Camera Link interface are featured.



Key features

- ◆ Newly developed 1/3-inch prism optics
- ◆ 3 x VGA 640 x 480 pixels, Pixel size of 7.4 μ m CCD sensor are used
- ◆ Small size and light in weight, compact and rugged body
- ◆ Maximum 200 frames per second
- ◆ Precise shutter setting of 1 μ sec unit (1/100000s to 1/200s)
- ◆ Gain adjustment from 0dB to 12dB
- ◆ Partial scan readout is available for faster capturing
- ◆ Shading compensation, Image enhancement
- ◆ Internal mode or external trigger mode
- ◆ Three operation modes (No shutter mode, Shutter select mode, Pulse width)
- ◆ Camera Link Base Configuration
- ◆ BV camera control tool is available

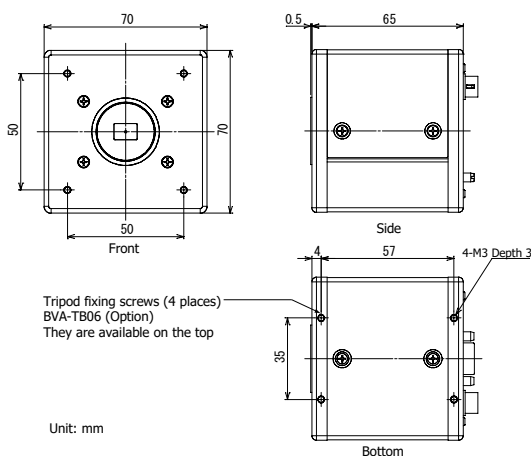
Bluevision Ltd., Japan

Specifications

Item & Function	Specifications
optical system	1/3-inch RGB dichroic prism
Image sensor	1/3-inch Progressive scan CCD
Effective image pixel	640(H) x 480(V)、Pixel size 7.4 μ m square pixel
Synchronization	Internal or External trigger
Pixel clock cycle	60MHz
Frame rate	Full pixels 1fps ~ 200fps (1000000 μ s ~ 5000 μ s)
Image output	Camera Link Base configuration 8bit x 3
Standard illumination	2000Lx (F8.0, Shutter 1/200s, Gain 0dB, G ch)
S/N	More than 48dB
Partial scan	Height:16~480 / Offset Y: 8 ~ 472
Electronic shutter	Range:1/100000s~1/200s (10 μ s~5000 μ s) , 1 μ sec unit
Gain	R/G/B 0dB ~ +12dB
Auto white balance	One push, R/B adjustment range: -6dB ~ +12dB
Black level	R/G/B 0LSB ~ 31LSB
Auto tap balance	One push
Image enhancement	1)Edge enhancement 2)High Frequency MTF compensation 3)Edge enhancement & High Frequency MTF compensation
Trigger input	Camera Link LVDS (CC1)
Operation mode	1. No Shutter mode (Internal/External trigger) 2. Shutter Select mode (Internal/External trigger) 3. Pulse Width Control (External trigger)
Shading Compensation	On/Off
Communication interface	Camera Link EIA644, Baud rate 115200bps
Lens mount	C mount (use lenses for 3 CCD cameras)
Input voltage/ Current consumption	DC 12V~24V, Typical 0.55A / Max. 0.65A (DC12V input)
Operating Temperature/Humidity	-5 $^{\circ}$ C ~ +45 $^{\circ}$ C /20%~80% (non-condensing)
Storage Temperature/Humidity	-25 $^{\circ}$ C ~ +60 $^{\circ}$ C /20%~80% (non-condensing)
Dimensions (WxHxD)	70 x 70 x 65 mm (excluding protrusion)
Weight	320g

Specifications are subject to change without prior notice

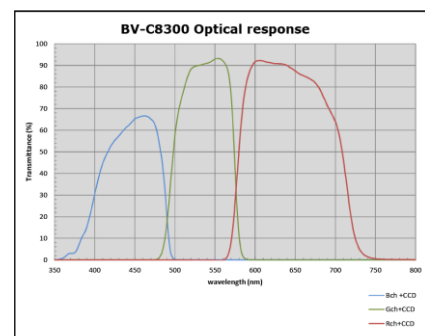
Dimensions



Rear Panel



Optical response



Bluevision Ltd., Japan

1-13-12 Shin-Yokohama, Kohoku-ku, Yokohama 222-0033

TEL: 045-471-4595 FAX: 045-471-4598

URL: www.bluevision.jp

Contact: Sales@bluevision.jp