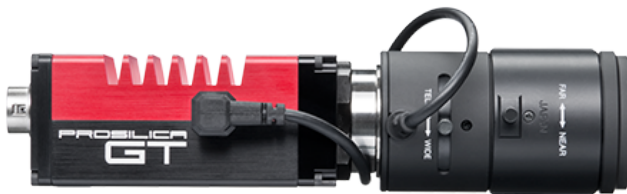


Prosilica GT

2050 NIR



- Versatile temperature range for extreme environments
- IEEE 1588 PTP
- PoE
- P-Iris and DC-Iris lens control

Description

4.2 Megapixel CMOS NIR enhanced camera for extreme environments - fast frame rates

Prosilica GT2050NIR is a 4.2 Megapixel camera equipped with a NIR optimized variant of the high quality CMOSIS CMV4000 sensor. At 900 nm this sensor offers double the quantum efficiency, an increase from 8% to 16% absolute. Prosilica GT2050NIR is a rugged camera designed to operate in extreme environments and fluctuating lighting conditions. #It offers Precise iris lens control allowing users to fix the aperture size to optimize depth of field, exposure and gain without the need for additional control elements.

Options:

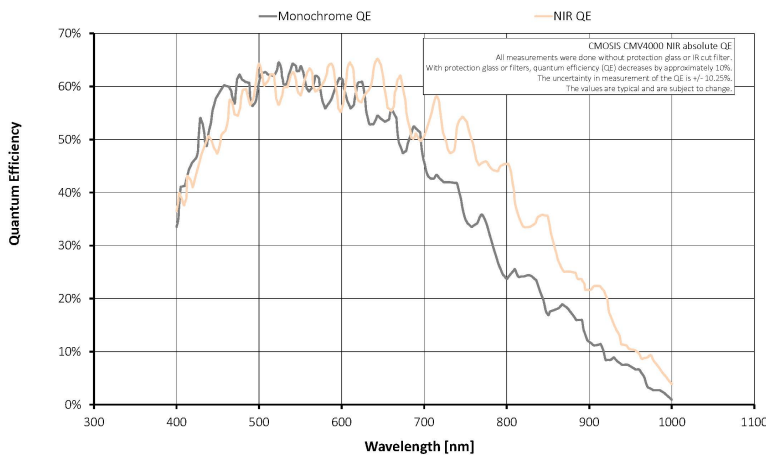
- Various lens mounts
- Various optical filters

See the [#Modular Concept#](#) for lens mount and optical filter options.

Specifications

Prosilica GT	2050 NIR
Interface	IEEE 802.3 1000BASE-T, IEEE 802.3af (PoE)
Resolution	2048 (H) × 2048 (V)
Sensor	CMOSIS CMV4000 NIR
Sensor type	CMOS
Cell size	5.5 μm x 5.5 μm
Lens mount	C-Mount
Max frame rate at full resolution	28.6 fps
ADC	12 bit
Image buffer (RAM)	128 MByte

Prosilica GT	2050 NIR
	Output
Bit depth	8/12 bit
Mono modes	Mono8, Mono12, Mono12Packed
General purpose inputs/outputs (GPIOs)	
TTL I/Os	1 input, 2 outputs
Opto-isolated I/Os	1 input, 2 outputs
RS-232	1
Operating conditions/dimensions	
Operating temperature	-20 °C to +65 °C ambient (without condensation)
Power requirements (DC)	7 to 25 VDC; PoE
Power consumption (@12 V)	3.5 W @ 12 VDC; 4.3 W PoE
Mass	210 g
Body dimensions (L × W × H in mm)	86 × 53.3 × 33 (including connectors)
Regulations	CE, RoHS, REACH, WEEE, FCC, ICES



Features

Image optimization features:

- Auto gain (manual gain control: 0 to 26 dB)
- Auto exposure (manual exposure control: #34 #s to 126.2 s)
- Auto white balance
- BlackLevel (offset)

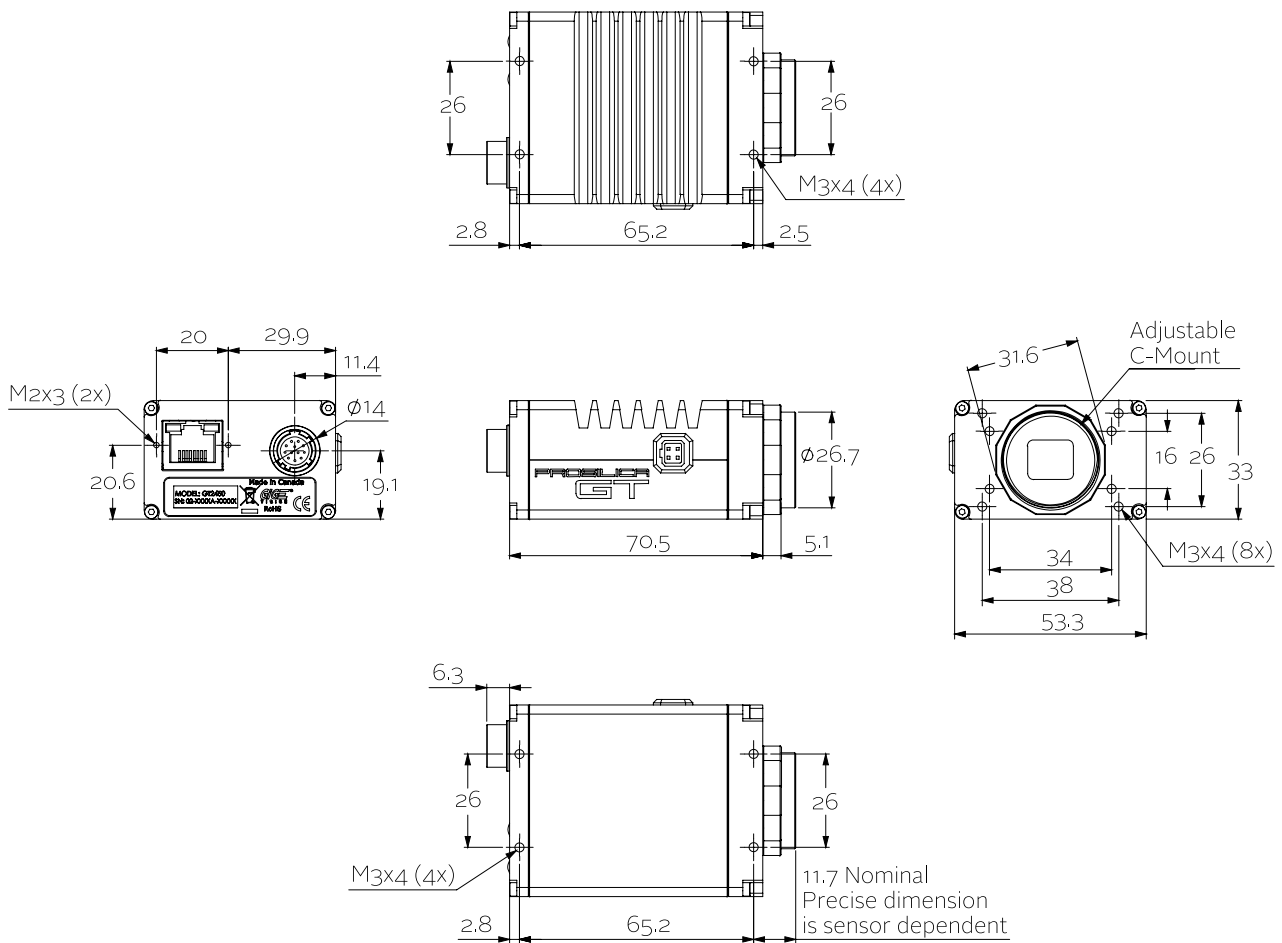


- Gamma correction
- Look-up tables (LUTs)
- Region of interest (ROI), separate ROI for auto features

Camera control features:

- P-Iris and DC-Iris lens control
- Event channel
- Image chunk data
- IEEE 1588 Precision Time Protocol (PTP)
- RS232
- Storable user sets
- StreamBytesPerSecond (easy bandwidth control)
- StreamHold
- Sync out modes: Trigger ready, input, exposing, readout, imaging, strobe, GPO#
- Temperature monitoring (main board only)

Technical drawing



Applications

Prosilica GT2050NIR is ideal for a wide range of applications including:



- Outdoor imaging
- Traffic imaging / Intelligent Traffic Systems (ITS)
- Public security and surveillance
- Industrial inspection
- Machine vision
- Microscopy
- Medical and healthcare