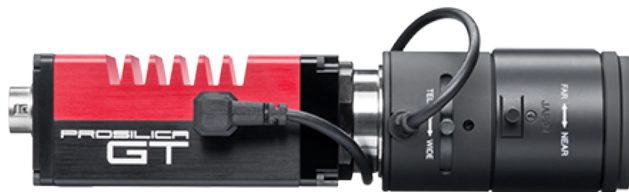


Prosilica GT

2000 NIR



- Versatile temperature range for extreme environments
- IEEE 1588 PTP
- PoE
- P-Iris and DC-Iris lens control

Description

2.2 Megapixel CMOS NIR enhanced camera for extreme environments - GigE Vision

Prosilica GT2000NIR is a 2.2 Megapixel camera equipped with a NIR optimized variant of the CMOSIS CMV2000 sensor. At 900 nm this sensor offers double the quantum efficiency, an increase from 8% to 16% absolute. It is a rugged camera designed to operate in extreme environments and fluctuating lighting conditions. This camera offers Precise iris lens control allowing users to fix the aperture size to optimize depth of field, exposure and gain without the need for additional control elements.

Options:

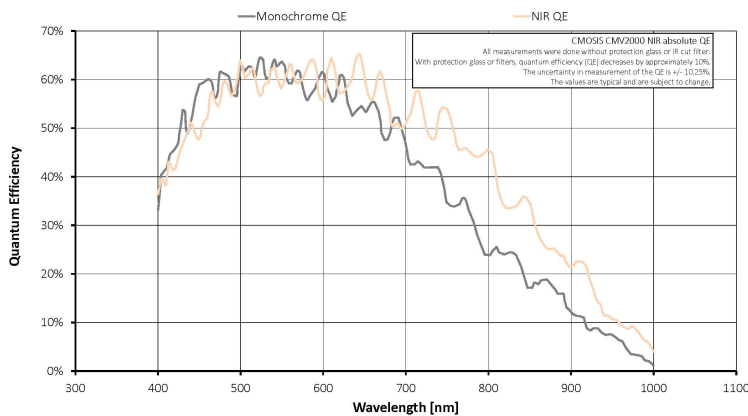
- Various lens mounts
- Various optical filters

See the [Modular Concept](#) for lens mount and optical filter options.

Specifications

| Prosilica GT | 2000 NIR |
|-----------------------------------|---|
| Interface | IEEE 802.3 1000BASE-T, IEEE 802.3af (PoE) |
| Resolution | 2048 (H) × 1088 (V) |
| Sensor | CMOSIS CMV2000 NIR |
| Sensor type | CMOS |
| Cell size | 5.5 μm x 5.5 μm |
| Lens mount | C-Mount |
| Max frame rate at full resolution | 53.7 fps |
| ADC | 12 bit |
| Image buffer (RAM) | 128 MByte |
| Output | |

| Prosilica GT | 2000 NIR |
|---|---|
| Bit depth | 8/12 bit |
| Mono modes | Mono8, Mono12, Mono12Packed |
| General purpose inputs/outputs (GPIOs) | |
| TTL I/Os | 1 input, 2 outputs |
| Opto-isolated I/Os | 1 input, 2 outputs |
| RS-232 | 1 |
| Operating conditions/dimensions | |
| Operating temperature | -20 °C to +65 °C ambient (without condensation) |
| Power requirements (DC) | 7 to 25 VDC; PoE |
| Power consumption (@12 V) | 3.4 W @ 12 VDC; 4.2 W PoE |
| Mass | 210 g |
| Body dimensions (L × W × H in mm) | 86 × 53.3 × 33 (including connectors) |
| Regulations | CE, RoHS, REACH, WEEE, FCC, ICES |



Features

Image optimization features:

- Auto gain (manual gain control: 0 to 26 dB)
- Auto exposure (manual exposure control: #18 #s to 126.2 s)
- Auto white balance
- BlackLevel (offset)
- Gamma correction

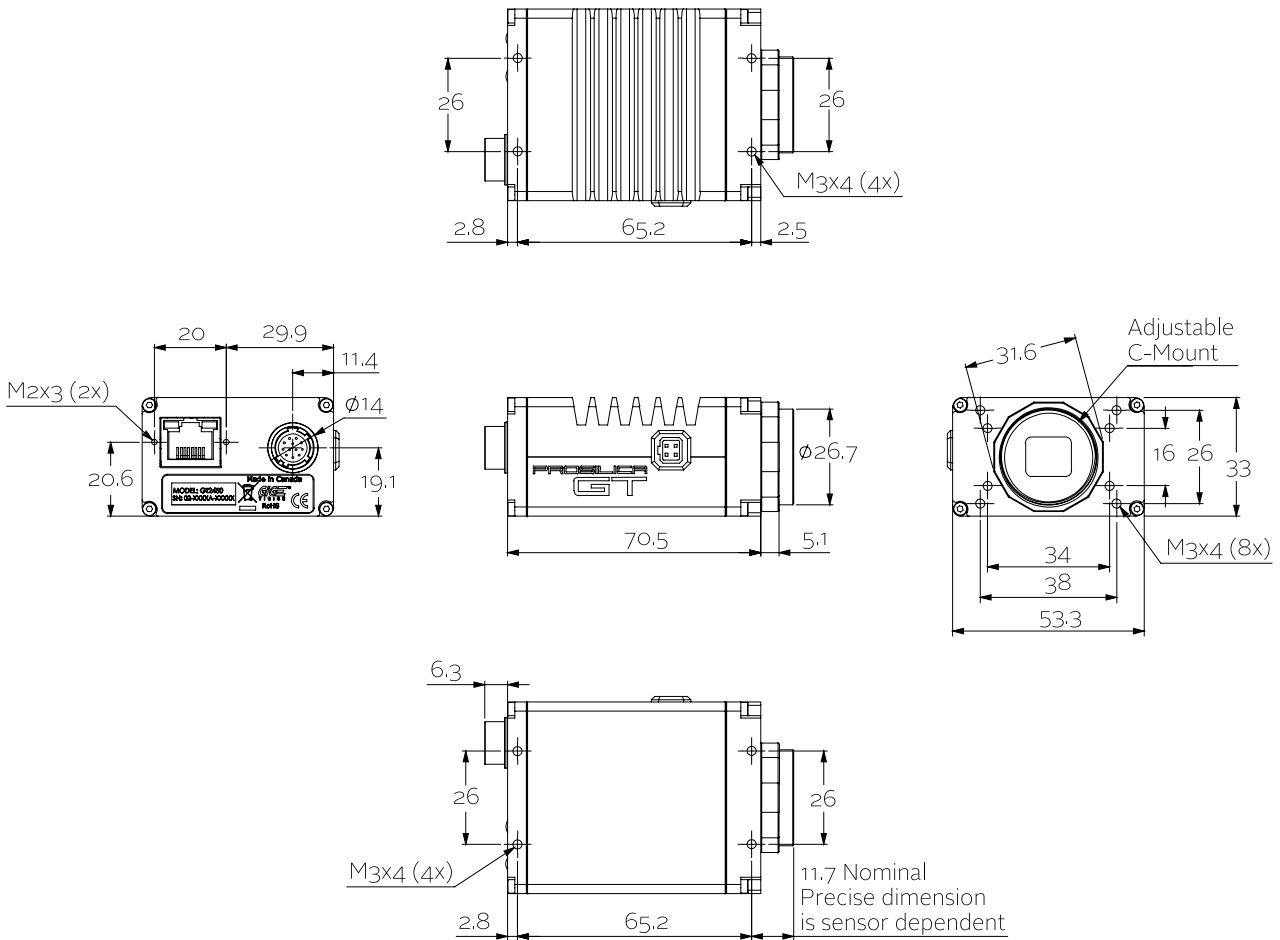


- Look-up tables (LUTs)
- Region of interest (ROI), separate ROI for auto features

Camera control features:

- P-Iris and DC-Iris lens control
- Event channel
- Image chunk data
- IEEE 1588 precision time protocol (PTP)
- RS232
- Storable user sets
- StreamBytesPerSecond (easy bandwidth control)
- StreamHold
- Sync out modes: Trigger ready, input, exposing, readout, imaging, strobe, GPO#
- Temperature monitoring (main board only)

Technical drawing



Applications

Prosilica GT2000NIR#is ideal for a wide range of applications including:



- Outdoor imaging
- Traffic imaging / Intelligent Traffic Systems (ITS)
- Public security and surveillance
- Industrial inspection
- Machine vision
- Microscopy
- Medical and healthcare