

# Prosilica GT

## 1930L



- Versatile temperature range for extreme environments
- IEEE 1588 PTP
- PoE
- EF lens control

## Description

2.4 Megapixel CMOS camera for extreme environments - GigE Vision#

Prosilica GT1930L/GT1930LC is a 2.4 Megapixel camera with a GigE Vision Gigabit Ethernet interface. This camera incorporates the high quality Sony IMX174 Exmor CMOS sensor with Pregius global shutter technology providing excellent monochrome and color image quality. It is a rugged camera designed to operate in extreme environments. This camera is available with a planarity adjustable EF-Mount.#

### Options:

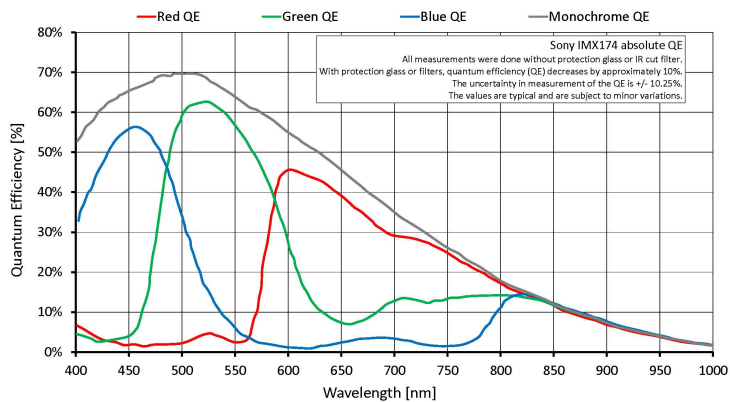
- Various IR cut/pass filters and lens mounts

See the [#Modular Concept#](#) for lens mount and optical filter options.

## Specifications

Prosilica GT	1930L
Interface	IEEE 802.3 1000BASE-T, IEEE 802.3af (PoE)
Resolution	1936 (H) × 1216 (V)
Sensor	Sony IMX174
Sensor type	CMOS
Cell size	5.86 μm x 5.86 μm
Lens mount	EF-Mount
Max frame rate at full resolution	50.7 fps
ADC	12 bit
Image buffer (RAM)	128 MByte
<b>Output</b>	
Bit depth	12 bit
Mono modes	Mono8, Mono12Packed, Mono12

Prosilica GT	1930L
Color modes YUV	YUV411Packed, YUV422Packed, YUV444Packed
Color modes RGB	RGB8Packed, BGR8Packed
Raw modes	BayerRG8, BayerRG12
General purpose inputs/outputs (GPIOs)	
TTL I/Os	1 input, 2 outputs
Opto-isolated I/Os	1 input, 2 outputs
RS-232	1
Operating conditions/dimensions	
Operating temperature	-30 °C to +70 °C housing (without condensation)
Power requirements (DC)	7 to 25 VDC; PoE
Power consumption (@12 V)	3.24 W @12 VDC; 3.88 W PoE
Mass	372 g
Body dimensions (L × W × H in mm)	96 × 66 × 53.3 (including connectors)
Regulations	CE, RoHS, REACH, WEEE, FCC, ICES



## Features

### Image optimization features:

- Auto gain (manual gain control: 0 to 40#dB)
- Auto exposure (manual exposure control)
- Auto white balance
- Binning (horizontal and vertical)

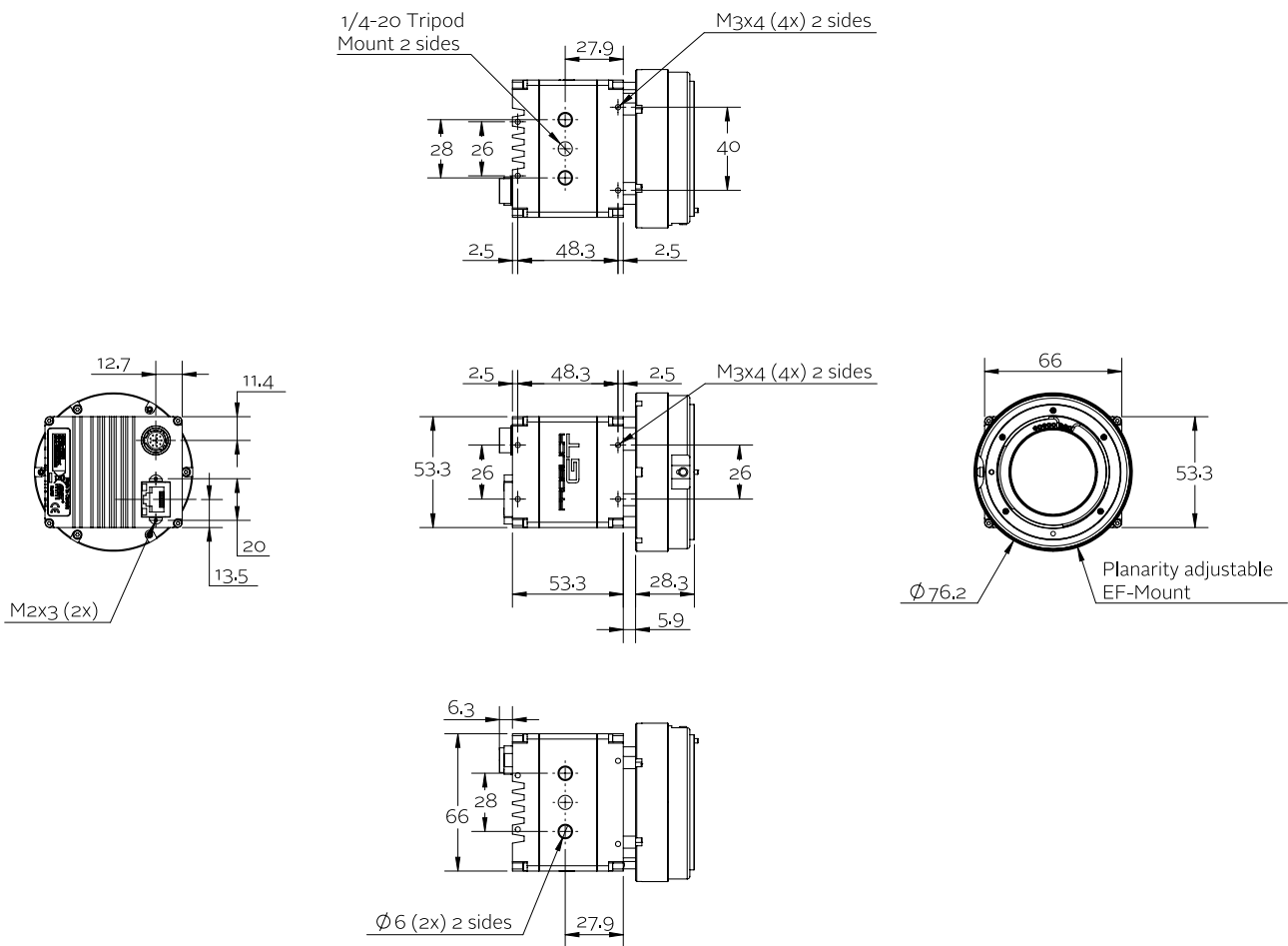


- BlackLevel (offset)
- Color correction, hue, saturation#(color models only)
- Decimation X/Y
- Gamma correction
- Look-up tables (LUTs)
- Region of interest (ROI), separate ROI for auto features
- Reverse X/Y

**Camera control features:**

- EF lens control
- Event channel
- Image chunk data
- IEEE 1588 Precision Time Protocol (PTP)
- RS232
- Storable user sets
- StreamBytesPerSecond (easy bandwidth control)
- StreamHold
- Sync out modes: Trigger ready, input, exposing, readout, imaging, strobe, GPO
- Temperature monitoring (main board only)
- Trigger over Ethernet (ToE) Action Commands

## Technical drawing



## Applications

Prosilica GT1930L/GT1930LC is ideal for a wide range of applications including:



- Outdoor imaging
- Traffic imaging / Intelligent Traffic Systems (ITS)
- Public security and surveillance
- Industrial inspection
- Machine vision
- Military and space applications