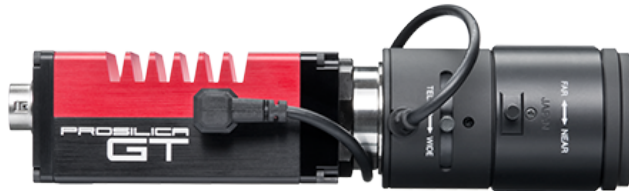


Prosilica GT

1600



- Versatile temperature range for extreme environments
- IEEE 1588 PTP
- PoE
- P-Iris and DC-Iris lens control

Description

2 Megapixel CCD camera for extreme environments - GigE Vision®

Prosilica GT1600/GT1600C is a 2 Megapixel camera with a GigE Vision Gigabit Ethernet interface. This camera incorporates a high-quality Sony ICX274 CCD sensor with Super HAD CCD technology providing excellent monochrome and color image quality. It is a rugged camera designed to operate in extreme environments and fluctuating lighting conditions. This camera offers Precise iris lens control allowing users to fix the aperture size to optimize depth of field, exposure, and gain without the need for additional control elements.

Options:

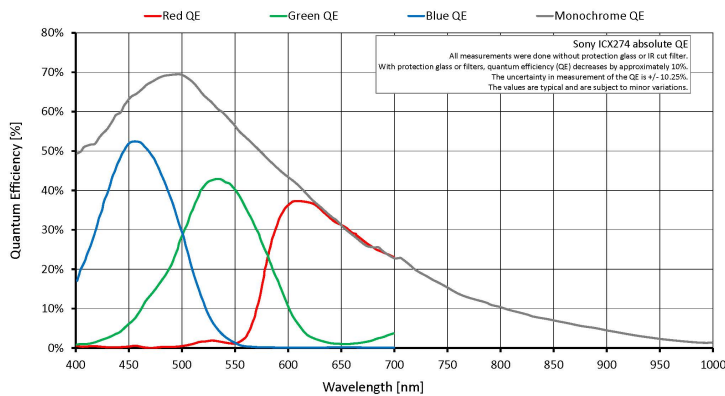
- Various IR cut/pass filters and lens mounts

See the [Modular Concept](#) for lens mount, optical filters, and sensor options.

Specifications

Prosilica GT	1600
Interface	IEEE 802.3 1000BASE-T, IEEE 802.3af (PoE)
Resolution	1620 (H) × 1220 (V)
Sensor	Sony ICX274
Sensor type	CCD Progressive
Cell size	4.4 μm x 4.4 μm
Lens mount	C-Mount
Max frame rate at full resolution	25.8 fps
ADC	14 bit
Image buffer (RAM)	128 MByte
Output	

Prosilica GT	1600
Bit depth	14 (monochrome); 12 (color) bit
Mono modes	Mono8, Mono12, Mono12Packed, Mono14
Color modes YUV	YUV411Packed, YUV422Packed, YUV444Packed
Color modes RGB	RGB8Packed, BGR8Packed
Raw modes	BayerRG8, BayerRG12, BayerRG12Packed
General purpose inputs/outputs (GPIOs)	
TTL I/Os	1 input, 2 outputs
Opto-isolated I/Os	1 input, 2 outputs
RS-232	1
Operating conditions/dimensions	
Operating temperature	-20 °C to +65 °C ambient (without condensation)
Power requirements (DC)	7 to 25 VDC; PoE
Power consumption (@12 V)	3.3 W @ 12 VDC; 4.0 W PoE
Mass	211 g
Body dimensions (L × W × H in mm)	86 × 53.3 × 33 (including connectors)
Regulations	CE, RoHS, REACH, WEEE, FCC, ICES



Features

Image optimization features:

- Auto gain (manual gain control: 0 to 26 dB)
- Auto exposure (manual exposure control: 10 #s to 68.7 s)

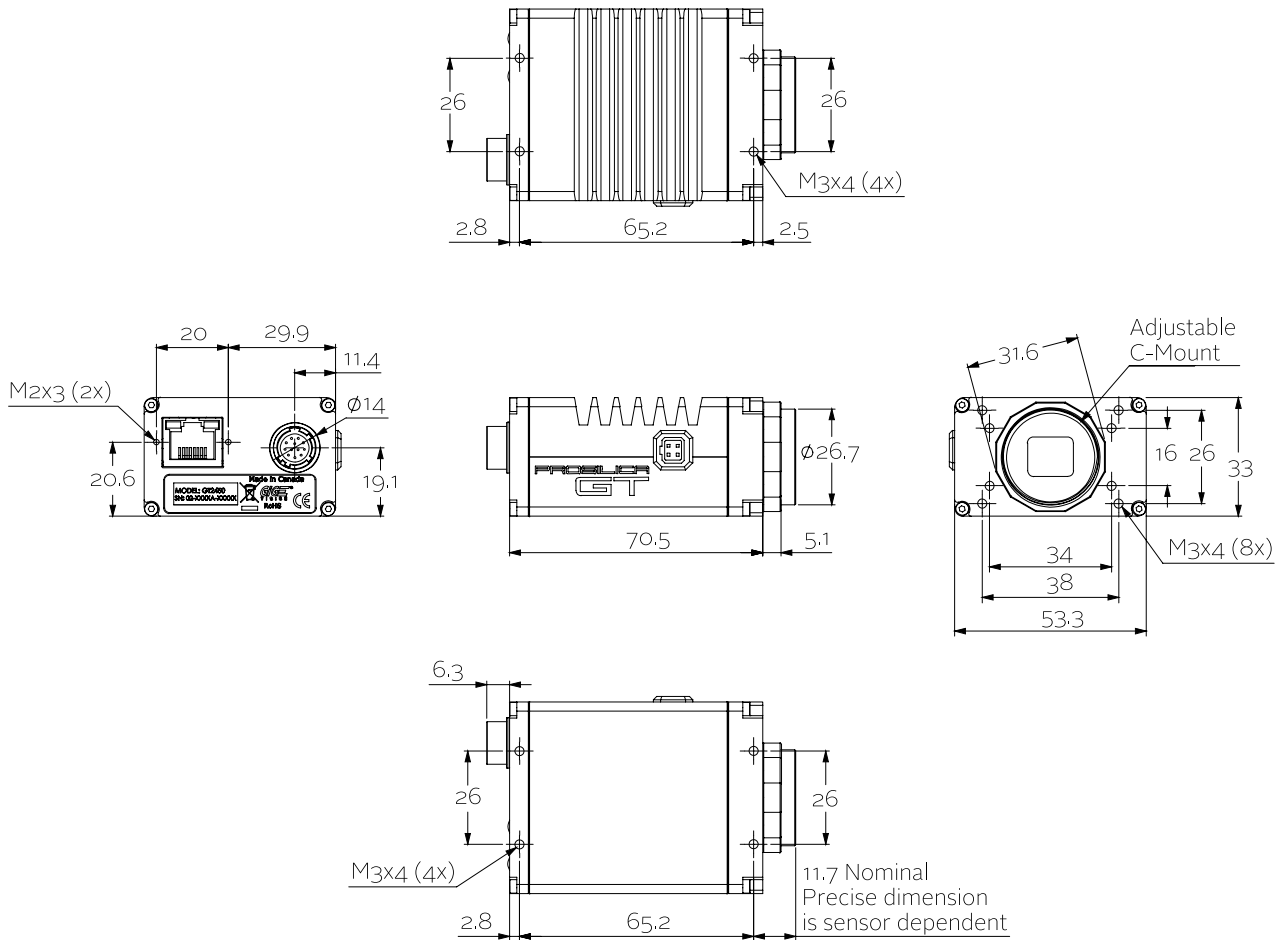


- Auto white balance
- Binning (horizontal and vertical)
- Color correction, hue, saturation#(color models only)
- Decimation X/Y
- Gamma correction
- Look-up tables (LUTs)
- Region of interest (ROI), separate ROI for auto features

Camera control features:

- P-Iris and DC-Iris lens control
- Event channel
- Image chunk data
- IEEE 1588 Precision Time Protocol (PTP)
- RS232
- Storable user sets
- StreamBytesPerSecond (easy bandwidth control)
- StreamHold
- Sync out modes: Trigger ready, input, exposing, readout, imaging, strobe, GPO
- Temperature monitoring (main board and sensor board)
- Trigger over Ethernet (ToE) Action Commands

Technical drawing



Applications

Prosilica GT1600/GT1600C is ideal for a wide range of applications including:



- Outdoor imaging
- Traffic imaging / Intelligent Traffic Systems (ITS)
- Public security and surveillance
- Industrial inspection
- Machine vision
- Military and space applications