

Prosilica GE



4000

- 11 Megapixel camera
- OnSemi KAI-11002 sensor
- Galvanically isolated I/O
- Various lens mount options

Description

11 Megapixel CCD camera, 5 frames per second

Prosilica GE4000/GE4000C is a very high-resolution CCD camera with Gigabit Ethernet output (GigE Vision#). This camera features the high-quality 35 mm optical format ON Semiconductor KAI-11002 CCD image sensor that provides exceptionally high resolution, sensitivity, and dynamic range.

Options:

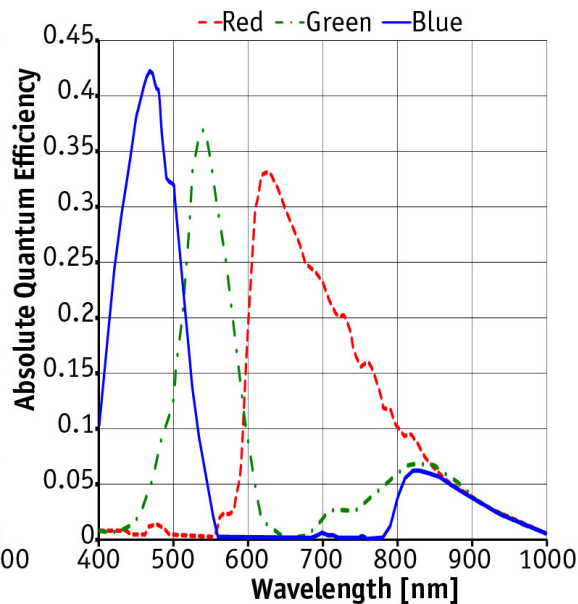
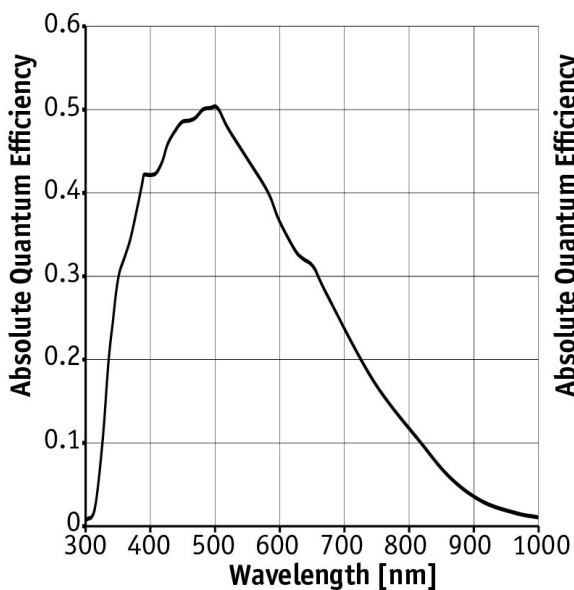
- Optical filters (IR cut filter/Protection glass)
- Sensor Class 1 or 2; fixed cover glass with or without microlenses; class 1 or 2 with taped cover glass with or without microlenses
- Various lens mounts

See the [Modular Concept](#) for lens mount, optical filter, and sensor options.

Specifications

Prosilica GE	4000
Interface	IEEE 802.3 1000baseT
Resolution	4008 (H) × 2672 (V)
Sensor	OnSemi KAI-11002
Sensor type	CCD Progressive
Cell size	9 μm x 9 μm
Lens mount	F-Mount
Max frame rate at full resolution	5 fps
ADC	12 bit
Image buffer (RAM)	32 MByte
Output	

Prosilica GE	4000
Bit depth	8/12 bit
Mono modes	Mono8, Mono12, Mono12Packed
Raw modes	BayerGR8, BayerGR12, BayerGR12Packed
General purpose inputs/outputs (GPIOs)	
TTL I/Os	1 input, 3 outputs (with galvanic isolation)
RS-232	1
Operating conditions/dimensions	
Operating temperature	0 °C to +50 °C ambient (without condensation)
Power requirements (DC)	5 to 24 VDC
Power consumption (@12 V)	6 W
Mass	402 g
Body dimensions (L × W × H in mm)	110 × 66 × 66 (including connectors)
Regulations	CE, RoHS, REACH, WEEE, FCC, ICES



Features

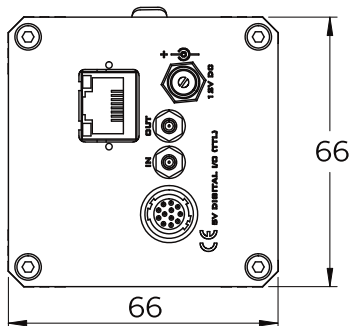
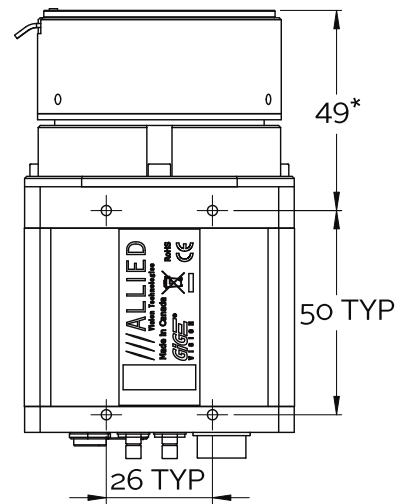
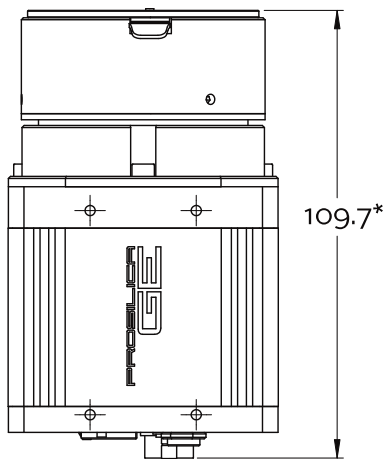
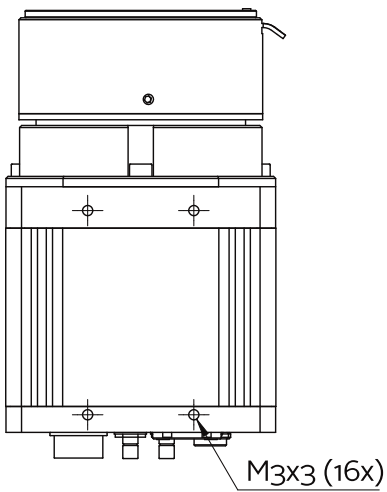
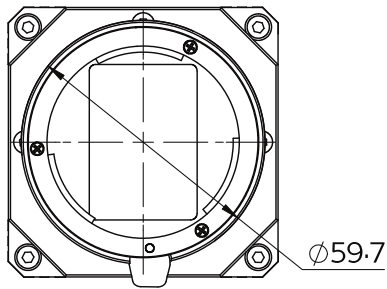
#Prosilica GE4000/GE4000C features include:

- Defect masking for columns
- Region of interest (ROI), DSP subregion (selectable ROI for auto features)
- Binning
- Auto gain (manual gain control: 0 to 34 dB)
- Auto exposure (manual exposure controls: 140 #s to 68.7 s)



- Auto white balance
- StreamBytesPerSecond (easy bandwidth control)
- Stream hold
- Sync out modes: Trigger ready, input, exposing, readout, imaging, strobe, GPO
- Global shutter (digital shutter)
- Recorder and Multiframe acquisition modes
- Event channel
- Image chunk data
- Storable user sets

Technical drawing



*Nominal value. Add 0.33 mm for color cameras



Applications

Prosilica#GE4000/GE4000C is ideal for a wide range of applications including:

- LCD panel inspection
- Semiconductor wafer inspection
- Solar panel inspection
- Aerial photography
- 3D metrology
- General machine vision
- Public security
- Surveillance
- Traffic imaging (Intelligent Traffic Systems)
- Embedded systems
- OEM applications