



- 32 fps @ full resolution
- OnSemi KAI-02150 sensor
- Galvanically isolated I/O
- Various lens mount options

## Description

High Definition Resolution CCD camera with GigE Vision interface

Prosilica GE1910/GE1910C is a CCD camera with a Gigabit Ethernet interface (GigE Vision#). This camera incorporates the ON Semiconductor KAI-02150 CCD sensor for excellent image quality in HD resolution (1080p). This camera runs 32 frames per second at full resolution.

### Options:

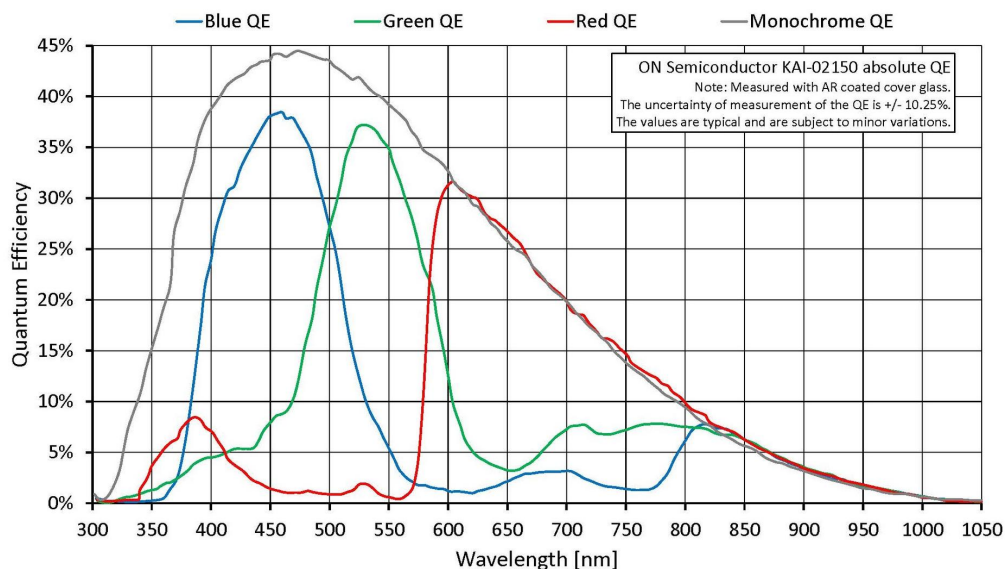
- Optical filters (IR cut filter/Protection glass)
- Taped cover glass with or without microlenses
- Various lens mounts

#See the [Modular Concept](#) for lens mount, optical filter, and sensor options.

## Specifications

Prosilica GE	1910
Interface	IEEE 802.3 1000baseT
Resolution	1920 (H) × 1080 (V)
Sensor	OnSemi KAI-02150
Sensor type	CCD Progressive
Cell size	5.5 μm x 5.5 μm
Lens mount	C-Mount
Max frame rate at full resolution	32 fps
ADC	12 bit
Image buffer (RAM)	32 MByte
<b>Output</b>	
Bit depth	8/12 bit

<b>Prosilica GE</b>	<b>1910</b>
Mono modes	Mono8, Mono12, Mono12Packed
Color modes RGB	RGB8Packed, BGR8Packed, RGBA8Packed, BGRA8Packed, RGB12Packed
Raw modes	BayerGR8, BayerGR12, BayerGR12Packed
<b>General purpose inputs/outputs (GPIOs)</b>	
TTL I/Os	1 input, 3 outputs (with galvanic isolation)
RS-232	1
<b>Operating conditions/dimensions</b>	
Operating temperature	0 °C to +50 °C ambient (without condensation)
Power requirements (DC)	5 to 24 VDC
Power consumption (@12 V)	5 W
Mass	178 g
Body dimensions (L × W × H in mm)	80 × 51 × 39 (including connectors)
Regulations	CE, RoHS, REACH, WEEE, FCC, ICES



## Features

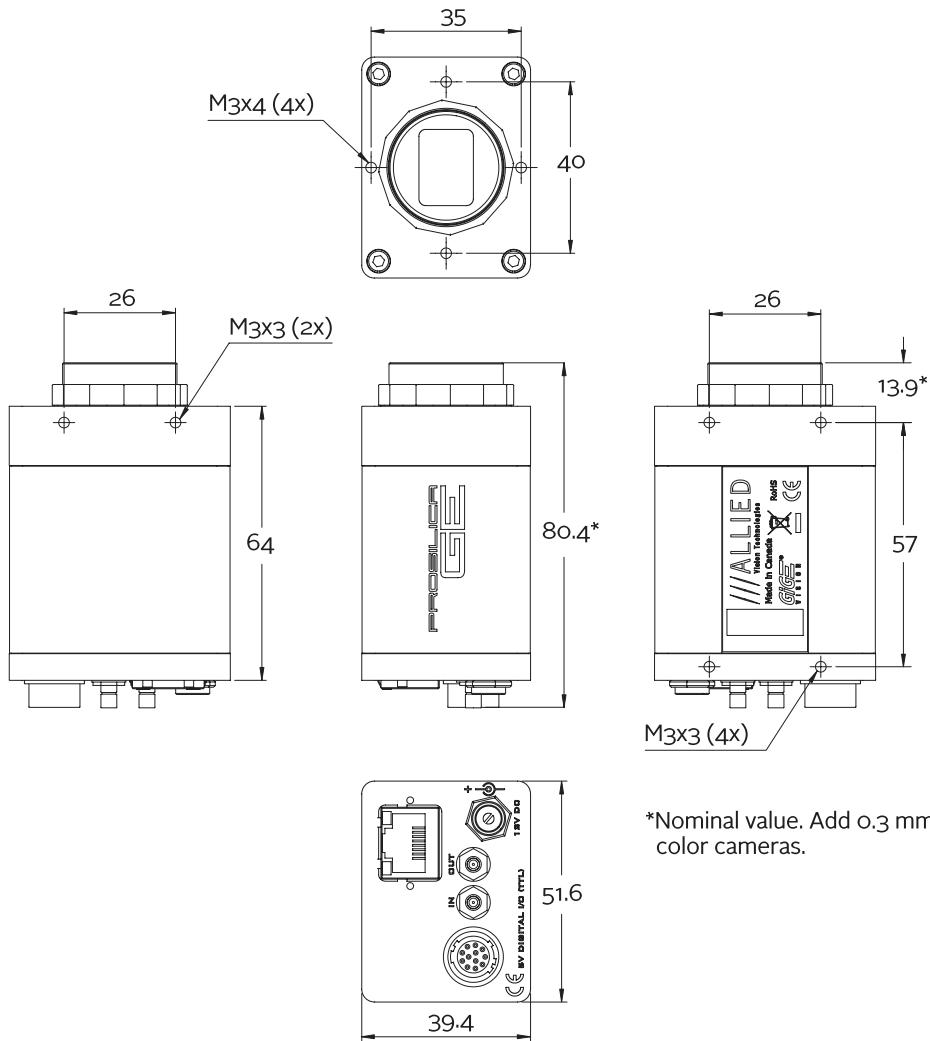
### #Prosilica GE1910/GE1910C features include:

- Region of interest (ROI), DSP subregion (selectable ROI for auto features)
- Binning
- Auto gain (manual gain control: 0 to 34 dB)
- Auto exposure (manual exposure controls: 10 #s to 53.7 s)



- Auto white balance
- StreamBytesPerSecond (easy bandwidth control)
- Stream hold
- Sync out modes: Trigger ready, input, exposing, readout, imaging, strobe, GPO
- Global shutter (digital shutter)
- Recorder and Multiframe acquisition modes
- Event channel
- Chunk data
- Storable user sets

## Technical drawing



\*Nominal value. Add 0.3 mm for color cameras.



## Applications

**Prosilica#GE1910/GE1910C is ideal for a wide range of applications including:**

- Industrial inspection
- Machine vision
- LCD panel inspection
- Medical imaging
- Ophthalmology
- Aeronautical and aerospace
- Public security
- Surveillance
- Traffic imaging
- OEM applications