

Prosilica GC

780



- Sony ICX415 sensor
- High frame rate
- Rugged housing
- Video-type auto iris

Description

Low cost GigE camera, 64 frames per second

Prosilica#GC780/GC780C is an ultra-compact, economically priced, machine vision camera with a GigE Vision compliant Gigabit Ethernet interface. This camera incorporates the high quality Sony ICX415 CCD sensor with HAD technology. This camera runs 64 frames per second at full resolution.

Options:

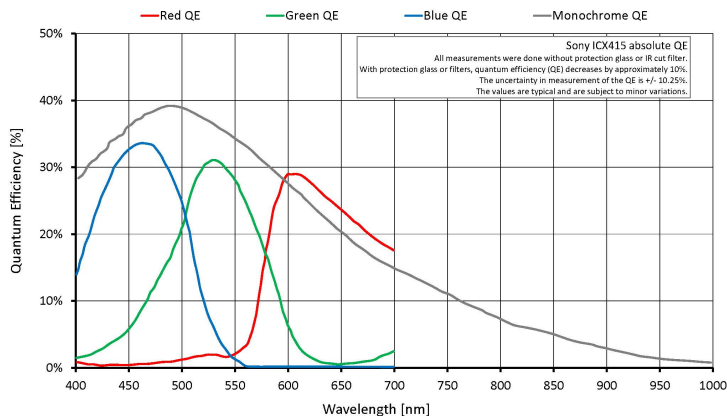
- CS-Mount
- Optical filters (IR cut filter/Protection glass)

See the [#Modular Concept#](#) for lens mount and optical filter options.

Specifications

Prosilica GC	780
Interface	IEEE 802.3 1000baseT
Resolution	782 (H) × 582 (V)
Sensor	Sony ICX415
Sensor type	CCD Progressive
Cell size	8.3 μm x 8.3 μm
Lens mount	C-Mount
Max frame rate at full resolution	63.9 fps
ADC	12 bit
Image buffer (RAM)	16 MByte
Output	
Bit depth	8/12 bit
Mono modes	Mono8, Mono12, Mono12Packed

Prosilica GC	780
Color modes RGB	RGB8Packed, BGR8Packed
Raw modes	BayerRG8, BayerRG12, BayerGR12Packed
General purpose inputs/outputs (GPIOs)	
TTL I/Os	1 input, 1 output
Opto-isolated I/Os	1 input, 1 output
RS-232	1
Operating conditions/dimensions	
Operating temperature	0 °C to +50 °C ambient (without condensation)
Power requirements (DC)	5 to 25 VDC
Power consumption (@12 V)	2.8 W
Mass	100 g
Body dimensions (L × W × H in mm)	59 × 46 × 33 (including connectors)
Regulations	CE, RoHS, REACH, WEEE, FCC, ICES



Features

Image optimization features:

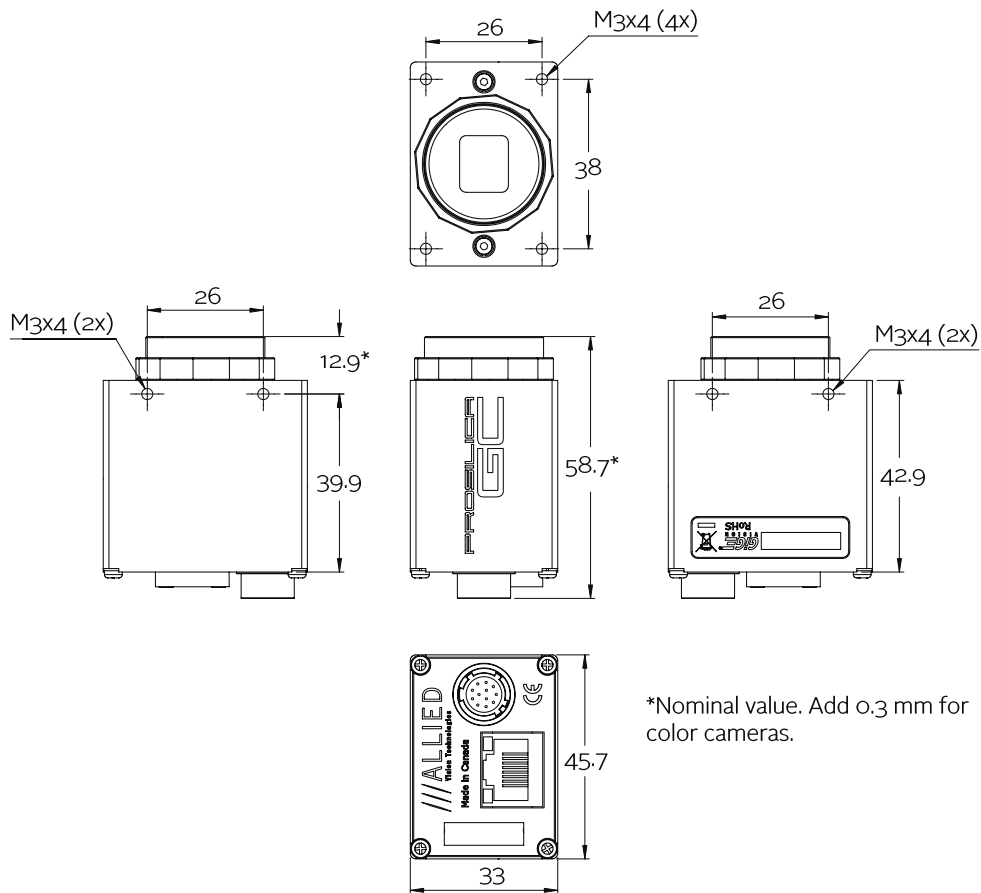
- Auto gain (manual gain control:#0 to 26 dB for GC780, 0 to 23 dB for GC780C)
- Auto exposure (manual exposure control:#8 #s to 116.8 s#@ 1 #s increments)
- Auto white balance
- Binning (horizontal and vertical)
- Region of interest (ROI), DSP subregion (selectable ROI for auto features)



Camera control features:

- Auto-iris (video type)
- Event channel
- Global shutter (digital shutter)
- IEEE 1588 Precision Time Protocol (PTP)
- Image chunk data
- Recorder and Multiframe acquisition modes
- RS232
- Storable user sets (5)
- StreamBytesPerSecond (easy bandwidth control)
- Stream hold
- Sync out modes: Trigger ready, input, exposing, readout, imaging, strobe, GPO

Technical drawing





Applications

Prosilica#GC780/GC780C is ideal for a wide range of applications including:

- Industrial inspection
- Machine vision
- Optical character recognition
- Traffic imaging
- Robotics
- OEM applications