

Prosilica GC

660



- Sony ICX618 sensor
- 121 fps @ full resolution
- Rugged housing
- Video-type auto iris

Description

Fast CCD camera with Sony EXview CCD sensor, high sensitivity, 121 frames per second

Prosilica#GC660/GC660C is a fast, VGA#resolution, high performance machine vision camera with a GigE Vision compliant Gigabit Ethernet interface. This camera incorporates the Sony ICX618 CCD sensor with EXview HAD CCD technology that has particularly high quantum efficiency and excellent near-infrared response for excellent image quality and sensitivity.

Note: This web page reflects the Prosilica GC hardware revision D model. Please refer to the Prosilica GC Technical Manual V2.2.0 or later for more information on hardware revision changes.#

Options:

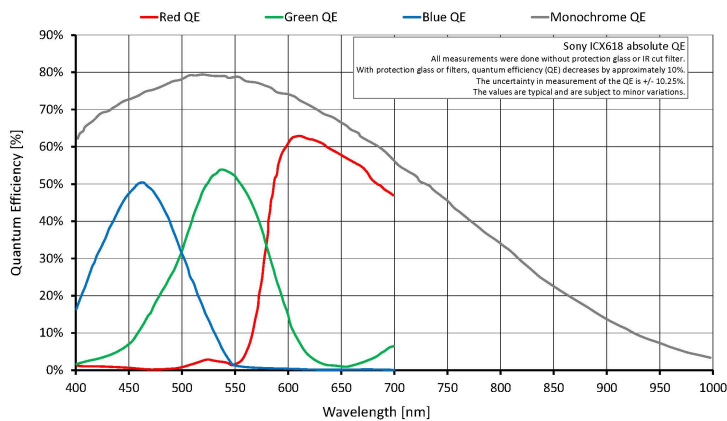
- CS-Mount
- Optical filters (IR cut filter/Protection glass)

See the#[Modular Concept](#)#for lens mount and optical filter options.

Specifications

Prosilica GC	660
Interface	IEEE 802.3 1000baseT
Resolution	658 (H) × 493 (V)
Sensor	Sony ICX618
Sensor type	CCD Progressive
Cell size	5.6 μm x 5.6 μm
Lens mount	C-Mount
Max frame rate at full resolution	121 fps
ADC	12 bit
Image buffer (RAM)	64 MByte

Prosilica GC		660	
		Output	
Bit depth		8/12 bit	
Mono modes		Mono8, Mono12, Mono12Packed	
Color modes RGB		RGB8Packed, BGR8Packed	
Raw modes		BayerRG8, BayerRG12, BayerRG12Packed	
General purpose inputs/outputs (GPIOs)			
TTL I/Os		1 input, 1 output	
Opto-isolated I/Os		1 input, 1 output	
RS-232		1	
Operating conditions/dimensions			
Operating temperature		0 °C to +50 °C ambient (without condensation)	
Power requirements (DC)		5 to 25 VDC	
Power consumption (@12 V)		3 W	
Mass		105 g	
Body dimensions (L × W × H in mm)		59 × 46 × 33 (including connectors)	
Regulations		CE, RoHS, REACH, WEEE, FCC, ICES	



Features

Image optimization features:

- Auto gain (manual gain control: 0 to 34 dB)
- Auto exposure (manual exposure control: 10 #s to 78.5 s @ 1 #s increments)

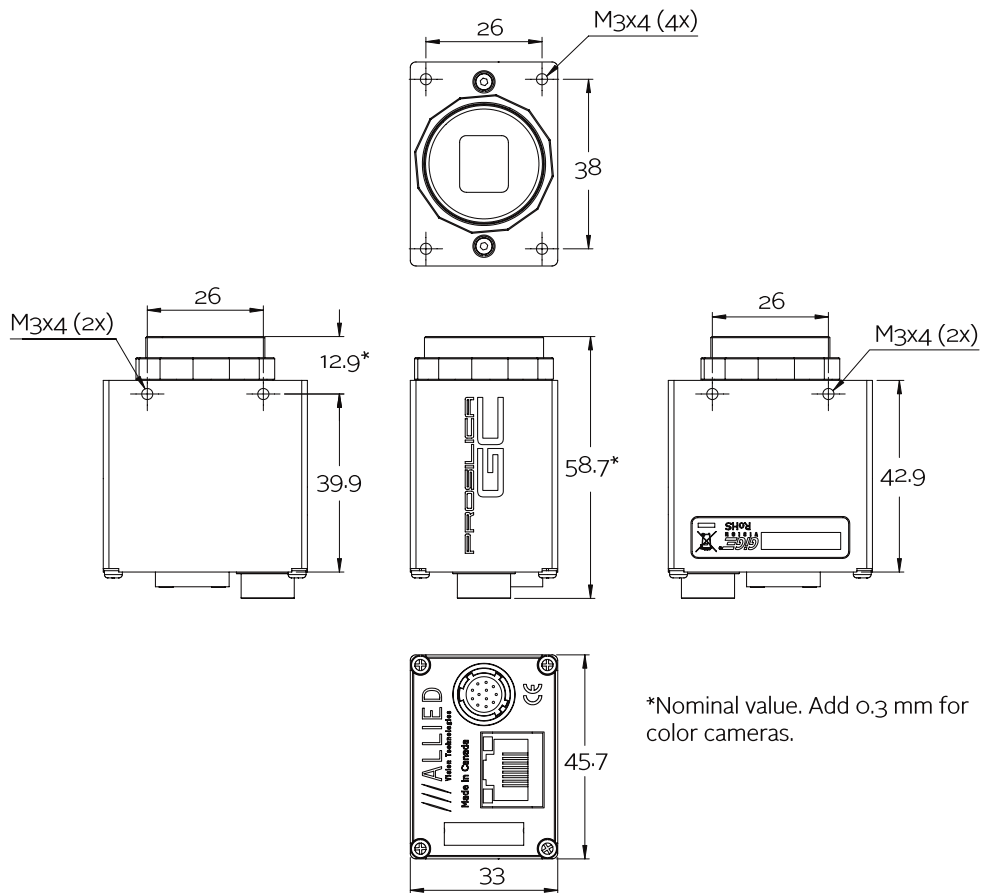


- Auto white balance
- Binning (horizontal and vertical)
- Black level (Offset)
- Gamma correction
- Hue, saturation, color transformation (color model only)
- Look-up tables (LUTs)
- Region of interest (ROI), DSP subregion (selectable ROI for auto features)

Camera control features:

- Auto-iris (video type)
- Event channel
- Global shutter (digital shutter)
- IEEE 1588 Precision Time Protocol
- Image chunk data
- Recorder and Multiframe acquisition modes
- RS232
- Storable user sets (3)
- StreamBytesPerSecond (easy bandwidth control)
- StreamHoldCapacity (up to 194 frames at full resolution)#
- Sync out modes: Trigger ready, input, exposing, readout, imaging, strobe, GPO
- Temperature monitoring (mainboard only)

Technical drawing





Applications

Prosilica#GC660/GC660C is ideal for a wide range of applications including:

- Machine vision
- Industrial inspection
- Public security
- Traffic monitoring
- Robotics