

# Prosilica GC

## 650



- Sony ICX424 sensor
- 90 fps @ full resolution
- Rugged housing
- Video-type auto iris

## Description

Very small VGA CCD camera with GigE Vision, 90 frames per second

Prosilica GC650/GC650C is a fast, VGA-resolution, high-performance machine vision camera with a GigE Vision compliant Gigabit Ethernet interface. The Sony ICX424 CCD sensor with HAD technology has excellent image quality and sensitivity. This camera is suitable for applications where speed and excellent image quality are key requirements.

### Options:

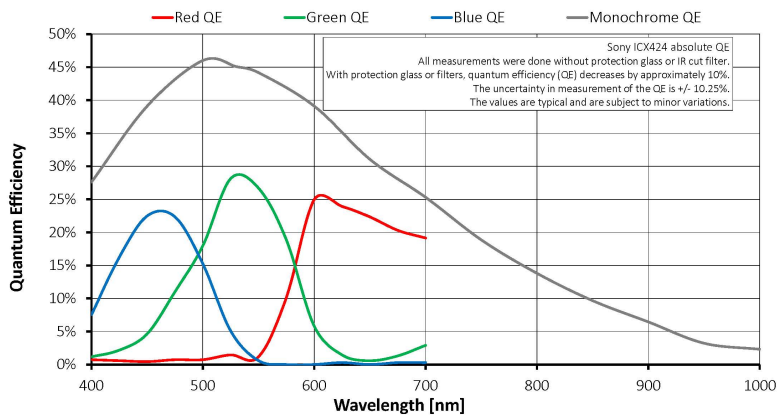
- CS-Mount
- Optical filters (IR cut filter/Protection glass)

See the [#Modular Concept#](#) for lens mount and optical filter options.

## Specifications

Prosilica GC	650
Interface	IEEE 802.3 1000baseT
Resolution	659 (H) × 493 (V)
Sensor	Sony ICX424
Sensor type	CCD Progressive
Cell size	7.4 μm x 7.4 μm
Lens mount	C-Mount
Max frame rate at full resolution	90 fps
ADC	12 bit
Image buffer (RAM)	16 MByte
	<b>Output</b>
Bit depth	8/12 bit

<b>Prosilica GC</b>	<b>650</b>
Mono modes	Mono8, Mono12, Mono12Packed
Color modes RGB	RGB8Packed, BGR8Packed
Raw modes	BayerRG8, BayerRG12, BayerGR12Packed
<b>General purpose inputs/outputs (GPIOs)</b>	
TTL I/Os	1 input, 1 output
Opto-isolated I/Os	1 input, 1 output
RS-232	1
<b>Operating conditions/dimensions</b>	
Operating temperature	0 °C to +50 °C ambient (without condensation)
Power requirements (DC)	5 to 25 VDC
Power consumption (@12 V)	3 W
Mass	99 g
Body dimensions (L × W × H in mm)	59 × 46 × 33 (including connectors)
Regulations	CE, RoHS, REACH, WEEE, FCC, ICES



## Features

### Image optimization features:

- Auto gain (manual gain control: 0 to 19 dB)
- Auto exposure (manual exposure control: #8 #s to 116.8 s @ 1##s increments)
- Auto white balance
- Binning (horizontal and vertical)

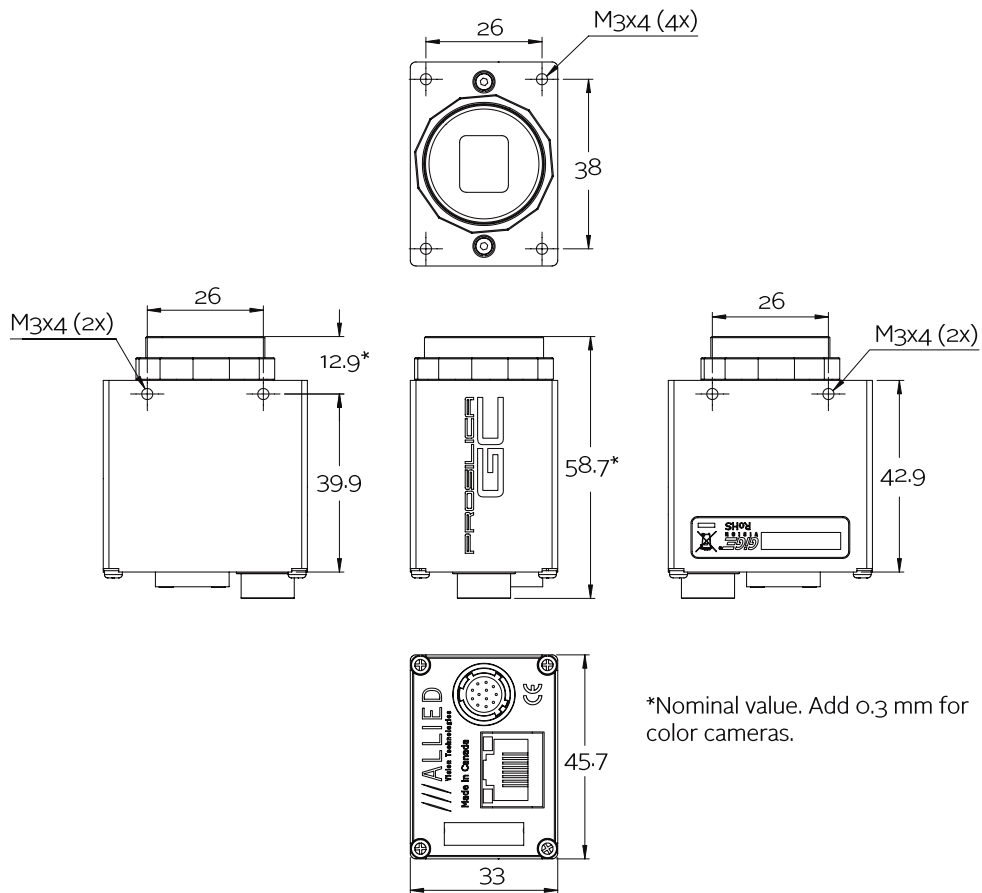


- Region of interest (ROI), DSP subregion (selectable ROI for auto features)

**Camera control features:**

- Auto-iris (video type)
- Event channel
- Global shutter (digital shutter)
- IEEE 1588 Precision Time Protocol
- Image chunk data
- Recorder and Multiframe acquisition modes
- RS232
- Storable user sets (5)
- StreamBytesPerSecond (easy bandwidth control)
- Stream hold
- Sync out modes: Trigger ready, input, exposing, readout, imaging, strobe, GPO

## Technical drawing





## Applications

**Prosilica#GC650/GC650C is ideal for a wide range of applications including:**

- Machine vision
- Industrial inspection
- Public security
- Traffic monitoring
- Robotics