

# Prosilica GC

## 1380H



- Sony ICX285 sensor
- 30 fps @ full resolution
- Rugged housing
- Video-type auto iris

## Description

High sensitivity 1.4 Megapixel CCD camera, 30 frames per second

Prosilica#GC1380H and its color counterpart, Prosilica GC1380CH, are high-speed versions of the very popular Prosilica GC1380/GC1380C. The ultra-compact This camera is a very sensitive, high-resolution CCD camera with GigE Vision compliant Gigabit Ethernet interface that runs 30 frames per second at full#resolution.#This camera incorporates the high quality Sony ICX285 CCD sensor with EXview HAD technology.

Note: This web page reflects the Prosilica GC hardware revision D model. Please refer to the Prosilica GC Technical Manual V2.2.0 or later for more information on hardware revision changes.#

### Options:

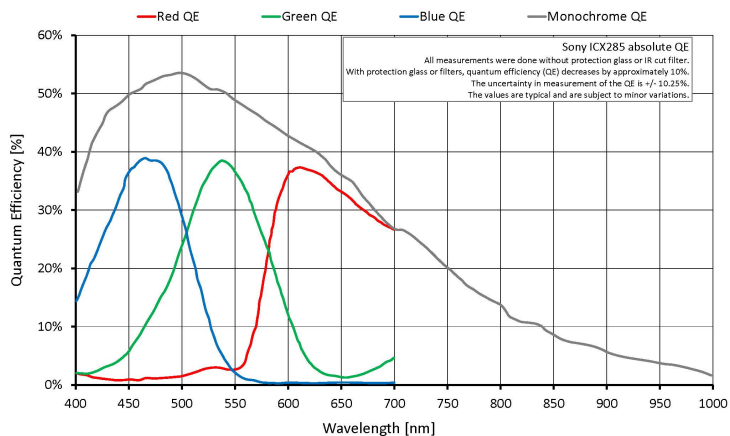
- CS-Mount
- Optical filters (IR cut filter/Protection glass)

See the#[Modular Concept](#)#for lens mount and optical filter options.

## Specifications

Prosilica GC	1380H
Interface	IEEE 802.3 1000baseT
Resolution	1360 (H) × 1024 (V)
Sensor	Sony ICX285
Sensor type	CCD Progressive
Cell size	6.45 μm x 6.45 μm
Lens mount	C-Mount
Max frame rate at full resolution	30 fps
ADC	12 bit

<b>Prosilica GC</b>	<b>1380H</b>
Image buffer (RAM)	64
<b>Output</b>	
Bit depth	8/12 bit
Mono modes	Mono8, Mono12, Mono12Packed
Color modes RGB	RGB8Packed, BGR8Packed
Raw modes	BayerRG8, BayerRG12, BayerRG12Packed
<b>General purpose inputs/outputs (GPIOs)</b>	
TTL I/Os	1 input, 1 output
Opto-isolated I/Os	1 input, 1 output
RS-232	1
<b>Operating conditions/dimensions</b>	
Operating temperature	0 °C to +50 °C ambient (without condensation)
Power requirements (DC)	5 to 25 VDC
Power consumption (@12 V)	3.5 W
Mass	111 g
Body dimensions (L × W × H in mm)	59 × 46 × 33 (including connectors)
Regulations	CE, RoHS, REACH, WEEE, FCC, ICES



## Features

### Image optimization features:

- Auto gain (manual gain control: 0 to 33 dB)

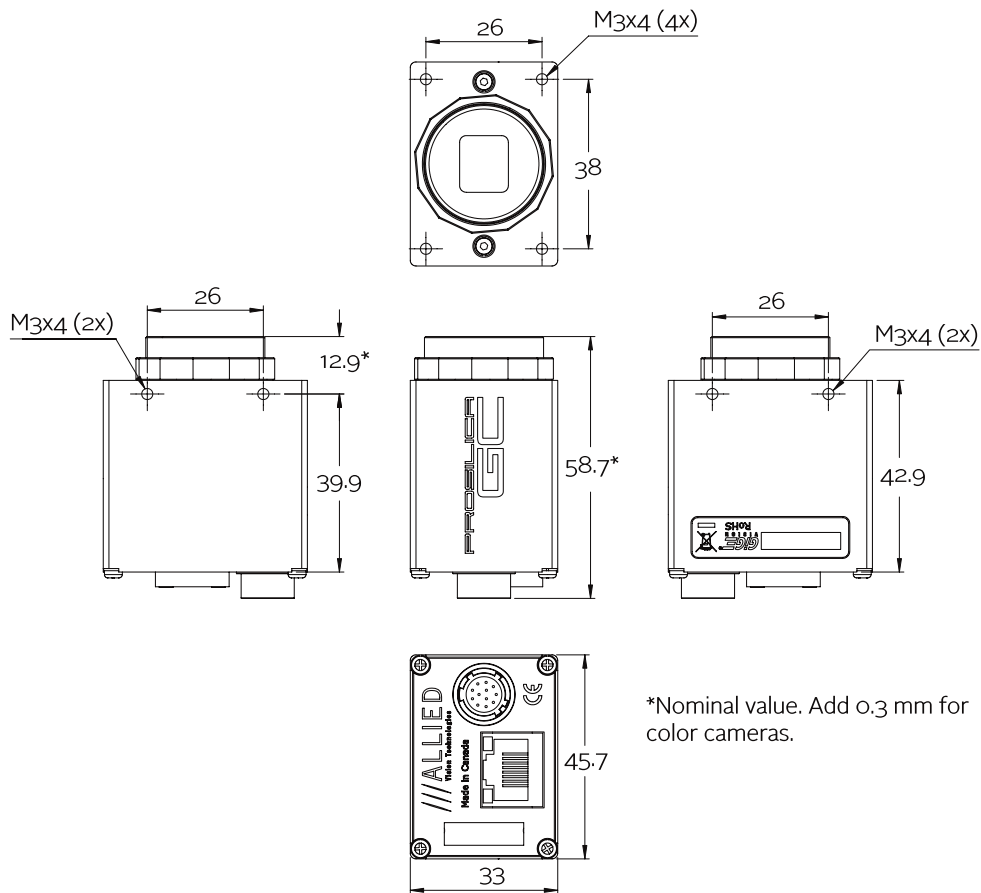


- Auto exposure (manual exposure control: 10 #s to 78.5 s @ 1 #s increments)
- Auto white balance
- Binning (horizontal and vertical)
- Black level (Offset)
- Gamma correction
- Hue, saturation, color transformation (color model only)
- Look-up tables (LUTs)
- Region of interest (ROI), DSP subregion (selectable ROI for auto features)

**Camera control features:**

- Auto-iris (video type)
- Event channel
- Global shutter (digital shutter)
- IEEE 1588 Precision Time Protocol
- Image chunk data
- Recorder and Multiframe acquisition modes
- RS232
- Storable user sets (3)
- StreamBytesPerSecond (easy bandwidth control)
- StreamHoldCapacity (Up to 46 frames at full resolution)
- Sync out modes: Trigger ready, input, exposing, readout, imaging, strobe, GPO
- Temperature monitoring (mainboard only)

## Technical drawing





## Applications

**Prosilica#GC1380H/GC1380CH is ideal for a wide range of applications including:**

- Industrial inspection
- Machine vision
- Ophthalmology
- Microscopy
- Fluorescence
- Aeronautical and aerospace
- Public security
- Surveillance
- Traffic imaging