

Prosilica GC

1020



- Sony ICX204 sensor
- 33 fps @ full resolution
- Rugged housing
- Video-type auto iris

Description

XGA resolution ultra-compact CCD camera with GigE Vision

Prosilica#GC1020/GC1020C is a 0.8 Megapixel camera with a GigE Vision compliant Gigabit Ethernet interface. This camera incorporates the high quality Sony ICX204 CCD sensor with HAD technology providing excellent monochrome and color image quality. This camera runs at 33 frames per second at full resolution and even faster with region of interest readout.

Options:

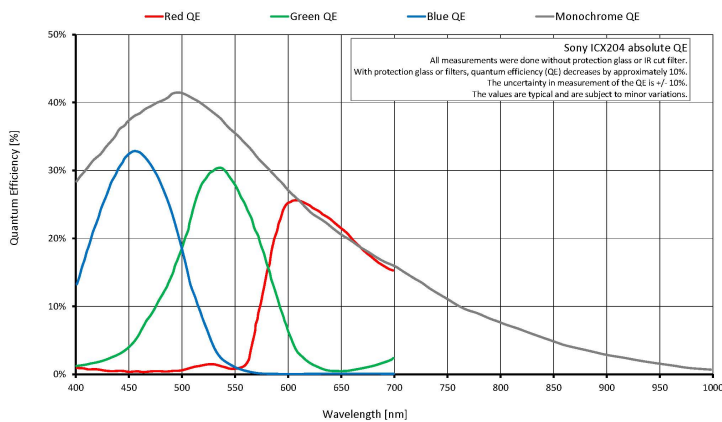
- CS-Mount
- Optical filters (IR cut filter/Protection glass)

See the [#Modular Concept#](#) for lens mount and optical filter options.

Specifications

Prosilica GC	1020
Interface	IEEE 802.3 1000baseT
Resolution	1024 (H) × 768 (V)
Sensor	Sony ICX204
Sensor type	CCD Progressive
Cell size	4.65 μm x 4.65 μm
Lens mount	C-Mount
Max frame rate at full resolution	33 fps
ADC	12 bit
Image buffer (RAM)	16 MByte
	Output
Bit depth	8/12 bit

Prosilica GC	1020
Mono modes	Mono8, Mono12, Mono12Packed
Color modes RGB	RGB8Packed, BGR8Packed
Raw modes	BayerRG8, BayerRG12, BayerGR12Packed
General purpose inputs/outputs (GPIOs)	
TTL I/Os	1 input, 1 output
Opto-isolated I/Os	1 input, 1 output
RS-232	1
Operating conditions/dimensions	
Operating temperature	0 °C to +50 °C ambient (without condensation)
Power requirements (DC)	5 to 25 VDC
Power consumption (@12 V)	2.9 W
Mass	99 g
Body dimensions (L × W × H in mm)	59 × 46 × 33 (including connectors)
Regulations	CE, RoHS, REACH, WEEE, FCC, ICES



Features

Image optimization features:

- Auto gain (manual gain control: 0 to 22 dB)
- Auto exposure (manual exposure control: 8 #s to 116.8 s @ 1 #s increments)
- Auto white balance
- Binning (horizontal and vertical)

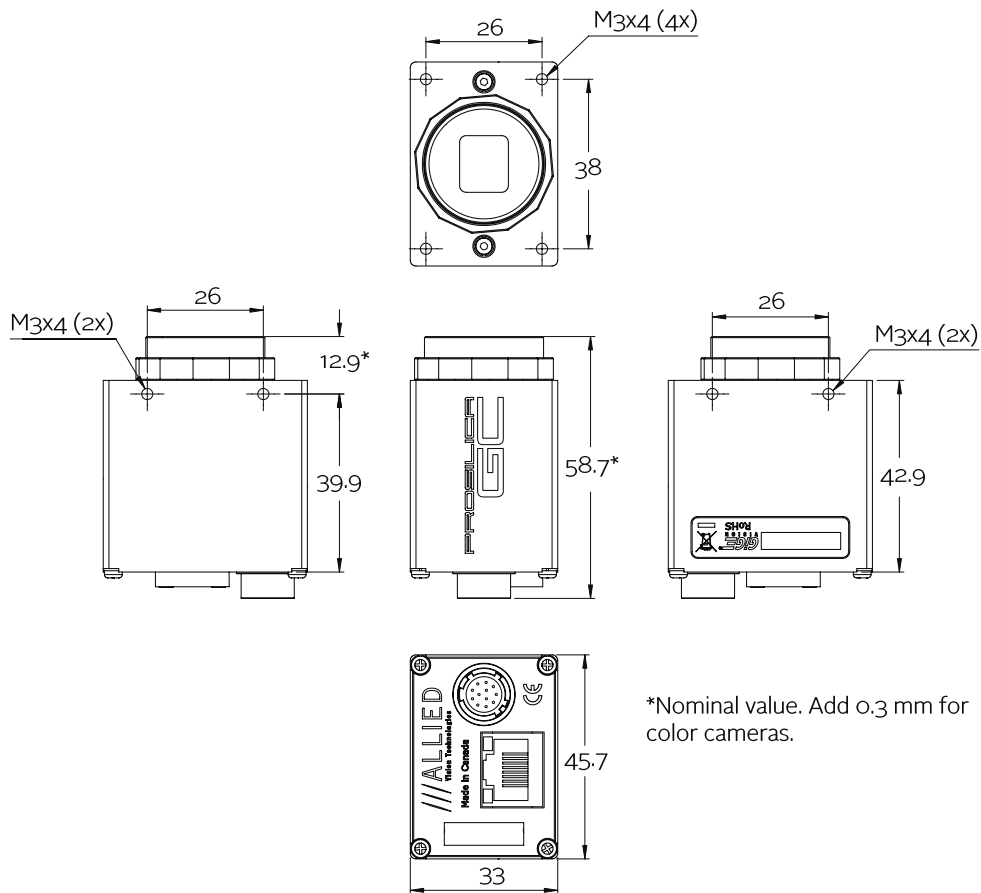


- Region of interest (ROI), DSP subregion (selectable ROI for auto features)

Camera control features:

- Auto-iris (video type)
- Event channel
- Global shutter (digital shutter)
- IEEE 1588 Precision Time Protocol (PTP)
- Image chunk data
- Recorder and Multiframe acquisition modes
- RS232
- Storable user sets (5)
- StreamBytesPerSecond (easy bandwidth control)
- Stream hold
- Sync out modes: Trigger ready, input, exposing, readout, imaging, strobe, GPO

Technical drawing





Applications

Prosilica#GC1020/GC1020C is ideal for a wide range of applications including:

- Industrial inspection
- Machine vision
- Ophthalmology
- Aeronautical and aerospace
- Public security
- Surveillance
- Traffic imaging
- OEM applications