

Manta

G-917



- Versatile 9.2 Megapixel camera
- 10.1 fps @ full resolution
- PoE option
- Video-iris lens control

Description

GigE camera with Sony ICX814 sensor, 10.1 frames per second

Manta G-917B/G-917C includes an 1" Sony ICX814 CCD sensor with EXview HAD II technology and 9.2 Megapixel resolution. This sensor is distinguished by excellent image quality and a high resolution.

Options:

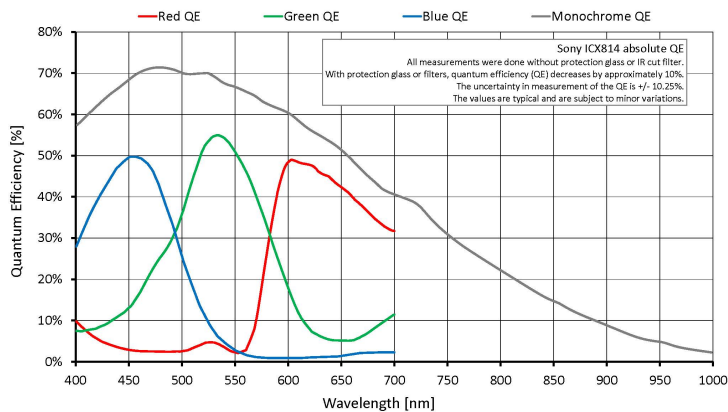
- Power over Ethernet (PoE)
- Various IR cut/pass filters and lens mounts
- White medical housing

See the [#Modular Concept#](#) for lens mount, optical filters, case design, and other modular options. Optical filter note: By default monochrome models ship with protection glass B 270 (ASG) and color models ship with an IRC Hoya C-5000 IR cut filter.

Specifications

Manta	G-917
Interface	IEEE 802.3 1000BASE-T, IEEE 802.3af (PoE) optional
Resolution	3384 (H) × 2710 (V)
Sensor	Sony ICX814
Sensor type	CCD Progressive
Cell size	3.69 μm x 3.69 μm
Lens mount	C-Mount
Max frame rate at full resolution	10.1 fps
ADC	14 bit
Image buffer (RAM)	128 MByte
Output	

Manta	G-917
Bit depth	8/14 (monochrome); 8/12 (color) bit
Mono modes	Mono8, Mono12Packed, Mono12
Color modes YUV	YUV411Packed, YUV422Packed, YUV444Packed
Color modes RGB	RGB8Packed, BGR8Packed
Raw modes	BayerRG8, BayerRG12, BayerRG12Packed
General purpose inputs/outputs (GPIOs)	
Opto-isolated I/Os	2 inputs, 2 outputs
RS-232	1
Operating conditions/dimensions	
Operating temperature	+5 °C to +45 °C ambient (without condensation)
Power requirements (DC)	8 to 30 VDC; PoE
Power consumption (@12 V)	4.0 W @ 12 VDC; 4.7 W PoE
Mass	190 g; 200 g (PoE)
Body dimensions (L × W × H in mm)	86.4 × 44 × 29 (including connectors)
Regulations	CE, RoHS, REACH, WEEE, FCC, ICES



Features

Image optimization features:

- Auto gain (manual gain control: 0 to 32 dB)
- Auto exposure (42 #s to 38 s)
- Auto white balance

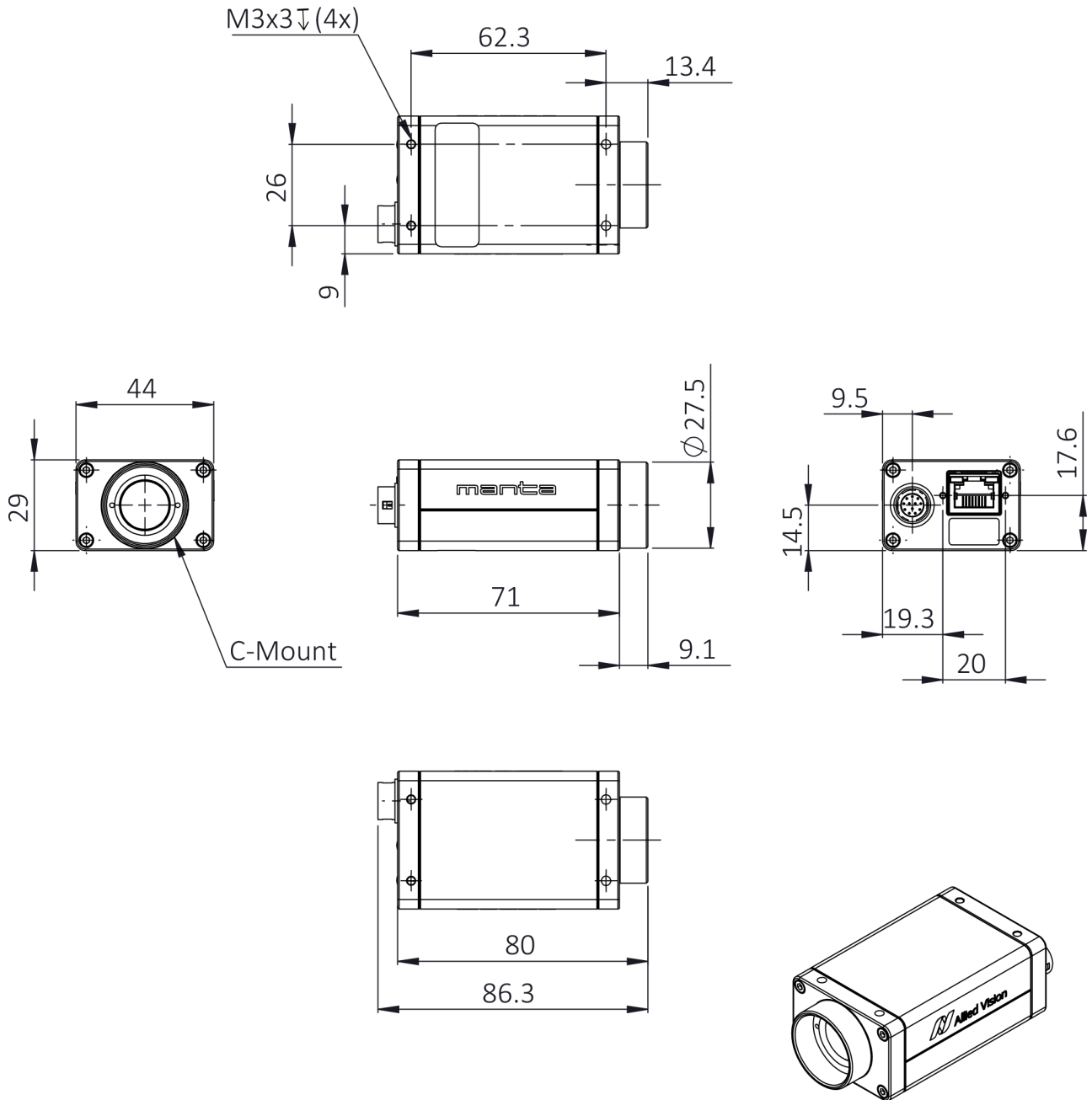


- Binning
- Black level (offset)
- Color correction, hue, saturation#(color models only)
- Decimation
- Gamma correction
- Look-up tables (LUTs)
- Region of interest (ROI), separate ROI for auto features

Camera control features:

- Auto-iris (video type)
- Event channel
- Image chunk data
- IEEE 1588 Precision Time Protocol
- Storable user sets
- StreamBytesPerSecond (easy bandwidth control)
- Stream hold
- Sync out modes: Trigger ready, input, exposing, readout, imaging, strobe, GPO
- Tap mode switchable in Vimba Viewer 2.0 or later (two-tap, one-tap)
- Temperature monitoring (main board)
- Trigger over Ethernet (ToE) Action Commands

Technical drawing



Applications

Manta G-917B/G-917C is ideal for a wide range of applications including:



- Machine vision
- High-resolution surveillance
- High-resolution quality control
- Large area scan
- Aerial imaging
- Intelligent traffic solutions (ITS)