

# Manta

## G-146



- 17.8 fps @ full resolution
- PoE option
- Angled head and board level variants
- Video-iris lens control

## Description

GigE Vision camera with Sony ICX267 sensor and PoE option

Manta G-146B/G-146C is a value packed GigE Vision camera with a Sony ICX267 CCD sensor. At full resolution, this camera runs at 17.8 frames per second. With a smaller region of interest, higher frame rates are possible. This camera incorporates three look-up tables, sophisticated color correction algorithms, a robust metal housing, and many modular options.

### Options

- Power over Ethernet (PoE)
- Various IR cut/pass filters and lens mounts
- Angled head, board level variants, white medical housing

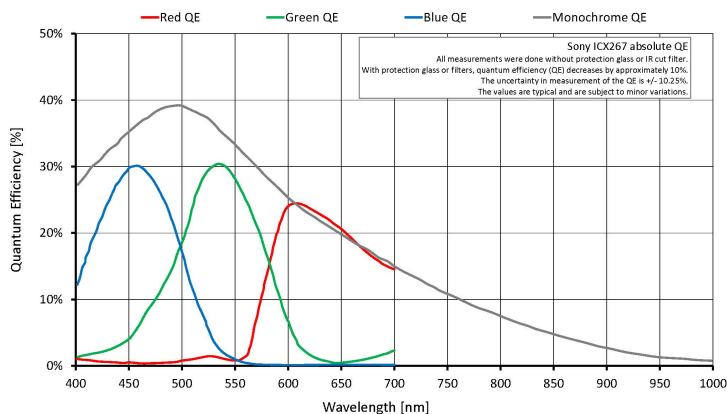
See the [Modular Concept](#) for lens mount, housing variants, optical filters, case design, and other modular options.

Optical filter note: By default monochrome models ship with protection glass B 270 (ASG) and color models ship with an IRC Hoya C-5000 IR cut filter.

## Specifications

Manta	G-146
Interface	IEEE 802.3 1000BASE-T, IEEE 802.3af (PoE) optional
Resolution	1388 (H) × 1038 (V)
Sensor	Sony ICX267
Sensor type	CCD Progressive
Cell size	4.65 μm x 4.65 μm
Lens mount	C-Mount
Max frame rate at full resolution	17.8 fps

Manta	G-146
ADC	12 bit
Image buffer (RAM)	32 MByte
<b>Output</b>	
Bit depth	8-12 bit
Mono modes	Mono8, Mono12, Mono12Packed
Color modes YUV	YUV411Packed, YUV422Packed, YUV444Packed
Color modes RGB	RGB8Packed, BGR8Packed, RGBA8Packed, BGRA8Packed
Raw modes	BayerGB8, BayerGB12Packed, BayerGB12
<b>General purpose inputs/outputs (GPIOs)</b>	
Opto-isolated I/Os	2 inputs, 2 outputs
RS-232	1
<b>Operating conditions/dimensions</b>	
Operating temperature	+5 °C to +45 °C ambient (without condensation)
Power requirements (DC)	8 to 30 VDC; PoE
Power consumption (@12 V)	3.6 W @ 12 VDC; 4.2 W PoE
Mass	200 g; 210 g (PoE)
Body dimensions (L × W × H in mm)	86.4 × 44 × 29 (including connectors)
Regulations	CE, RoHS, REACH, WEEE, FCC, ICES



## Features

**Image optimization features:**

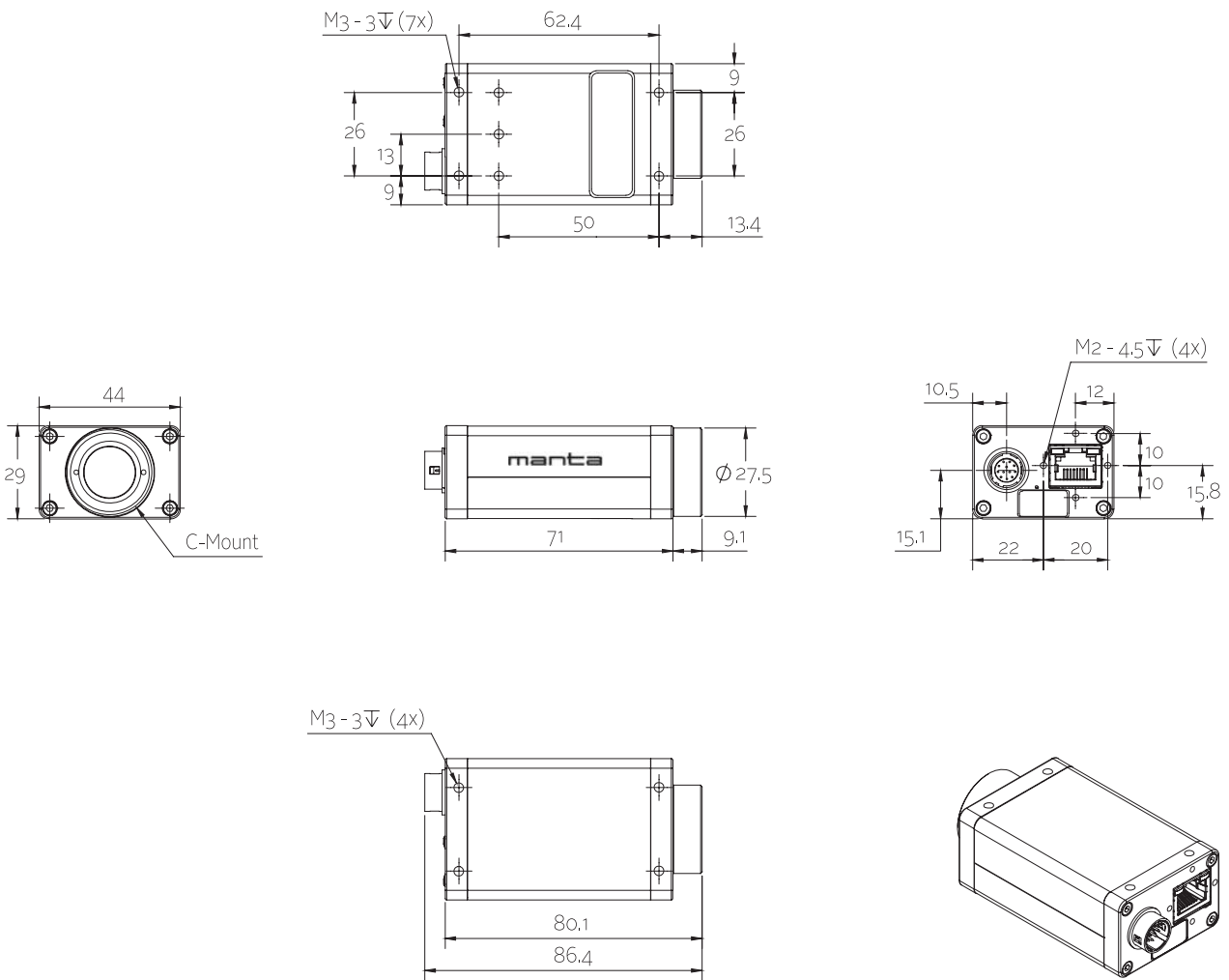


- Auto gain (manual gain control: 0 to 33 dB)
- Auto exposure#(31 #s to 60 s)
- Auto white balance
- Binning
- Black level (offset)
- Color correction, hue, saturation (color models only)
- Decimation
- Gamma correction
- Look-up tables (LUTs)
- Region of interest (ROI), separate ROI for auto features

**Camera control features:**

- Auto-iris (video type)
- Event channel
- Image chunk data
- Storable user sets
- StreamBytesPerSecond (easy bandwidth control)
- Stream hold
- Sync out modes: Trigger ready, input, exposing, readout, imaging, strobe, GPO

## Technical drawing



## Applications

Manta G-146B/G-146C is ideal for a wide range of applications including:



- Machine vision
- Industrial inspection
- Logistics and automation
- Healthcare
- Intelligent traffic solutions (ITS)