

Mako G G-419B NIR



- Ultra-compact (60.5 × 29 × 29 mm)
- Affordable
- PoE
- CMOSIS CMV4000 NIR enhanced sensor

Description

GigE camera with CMOSIS CMV4000 sensor, NIR optimized, global shutter

Mako G-419B NIR is an industrial GigE camera with the CMOSIS CMV4000 CMOS NIR enhanced sensor. Mako G cameras have the same compact form factor and the same mounting positions as many analog cameras. All models include PoE, three opto-isolated outputs, and a 64 MB FIFO image buffer. The image quality profits from the precisely aligned sensors. #

Options:

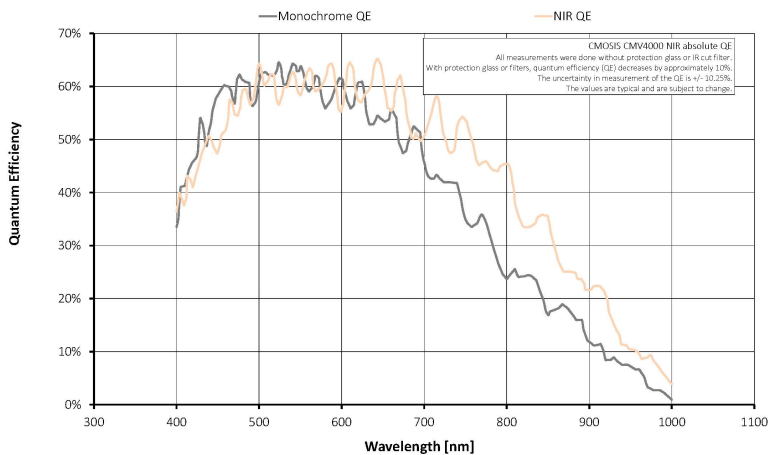
- Various IR cut/pass filters, protection glass, various lens mounts
- White medical housing

See the [#Modular Concept](#) for lens mount, optical filter, and case design options.

Specifications

Mako G	G-419B NIR
Interface	IEEE 802.3 1000BASE-T, IEEE 802.3af (PoE)
Resolution	2048 (H) × 2048 (V)
Sensor	CMOSIS CMV4000 NIR
Sensor type	CMOS
Cell size	5.5 μm x 5.5 μm
Lens mount	C-Mount
Max frame rate at full resolution	26.3 fps
ADC	12 bit
Image buffer (RAM)	64 MByte
Output	
Bit depth	8/12 bit

Mako G	G-419B NIR
Mono modes	Mono8, Mono12, Mono12Packed
General purpose inputs/outputs (GPIOs)	
Opto-isolated I/Os	1 input, 3 outputs
Operating conditions/dimensions	
Operating temperature	+5 °C to +45 °C housing temperature
Power requirements (DC)	12 to 24 VDC; PoE
Power consumption (@12 V)	2.3 W @ 12 VDC; 2.7 W PoE
Mass	80 g
Body dimensions (L × W × H in mm)	60.5 × 29 × 29 (including connectors)
Regulations	CE, RoHS, REACH, WEEE, FCC, ICES



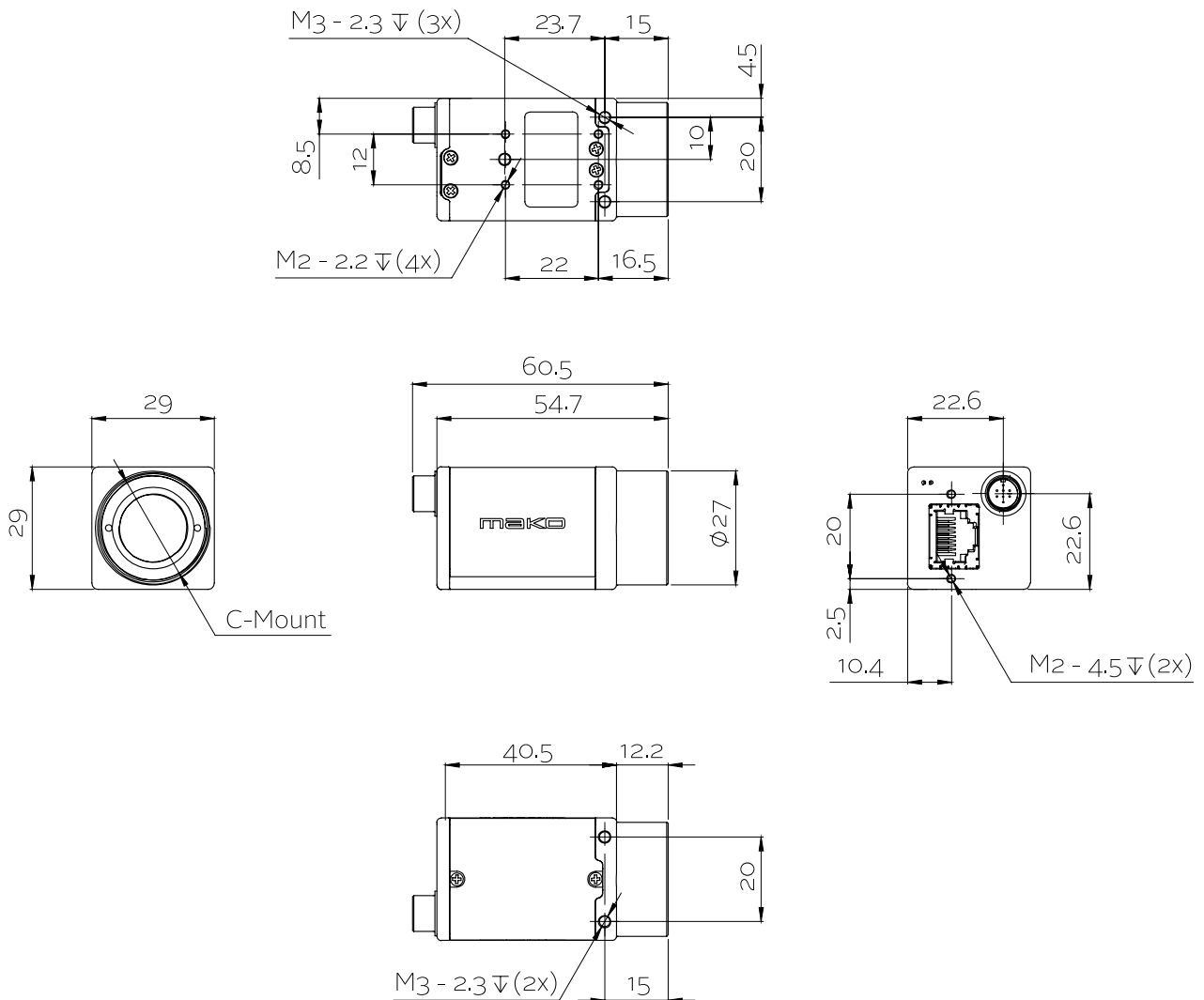
Features

Mako G-419B NIR features include:

- Camera temperature monitoring
- Column defect masking
- Region of interest (ROI), separate ROI for auto features
- Auto gain (manual gain control: 0 to 26 dB)
- Auto exposure (manual exposure control: 41 μ s to 153 s)
- Look-up tables (LUTs)
- Gamma
- StreamBytesPerSecond (easy bandwidth control)

- Stream hold
- Sync out modes: Trigger ready, input, exposing, readout, imaging, strobe, GPO
- Event channel
- Chunk data
- Storable user sets

Technical drawing





Applications

Mako G-419B NIR is an inexpensive industrial GigE camera with a compact form factor. It is suitable for all typical machine vision applications:

- Robotics
- Quality control
- Inspection, surveillance
- Industrial imaging
- Machine vision
- Logistics