

Mako G

G-192



- e2v Sapphire CMOS sensor
- Switchable shutter modes
- PoE
- 60 fps @ 1.9 Megapixel

Description

GigE camera with e2v CMOS color sensor, 1.9 Megapixels; 60 frames per second

The Mako G-192B/G-192C is an industrial GigE camera with the e2v Sapphire EV76C570 CMOS sensor. Mako G cameras have the same 29 x 29 mm form factor and the same mounting positions as many analog cameras. All models include PoE, two opto-isolated outputs, and a 64 MB image buffer. The image quality profits from the precisely aligned sensors.

Options:

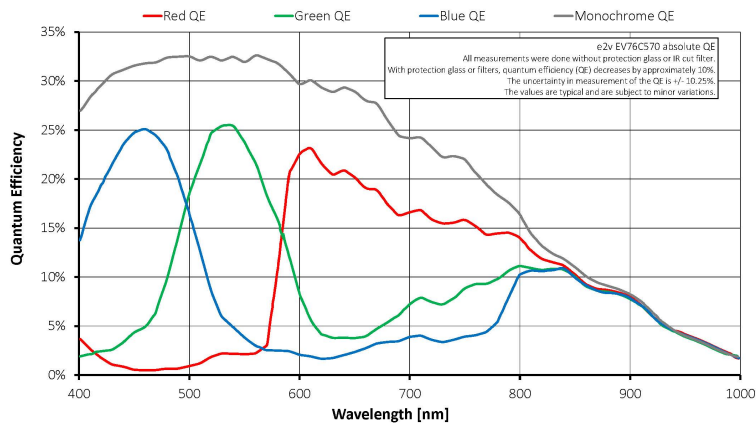
- Various IR cut/pass filters, protection glass, various lens mounts
- White medical housing

See the [Modular Concept](#) for lens mount, optical filter, and case design options.

Specifications

| Mako G | G-192 |
|-----------------------------------|---|
| Interface | IEEE 802.3 1000BASE-T, IEEE 802.3af (PoE) |
| Resolution | 1600 (H) × 1200 (V) |
| Sensor | e2v EV76C570 |
| Sensor type | CMOS |
| Cell size | 4.5 μm x 4.5 μm |
| Lens mount | C-Mount |
| Max frame rate at full resolution | 60 fps |
| ADC | 10 bit |
| Image buffer (RAM) | 64 MByte |
| Output | |
| Bit depth | 8/10 bit |

| | |
|---|--|
| Mako G | G-192 |
| Mono modes | Mono8, Mono10 |
| Color modes YUV | YUV411Packed, YUV422Packed, YUV444Packed |
| Color modes RGB | RGB8Packed, BGR8Packed |
| Raw modes | BayerGB8, BayerGB10 |
| General purpose inputs/outputs (GPIOs) | |
| Opto-isolated I/Os | 1 input, 3 outputs |
| Operating conditions/dimensions | |
| Operating temperature | +5 °C to +45 °C housing temperature |
| Power requirements (DC) | 12 to 24 VDC; PoE |
| Power consumption (@12 V) | 2.1 W @ 12 VDC; 2.4 W PoE |
| Mass | 80 g |
| Body dimensions (L × W × H in mm) | 60.5 × 29 × 29 (including connectors) |
| Regulations | CE, RoHS, REACH, WEEE, FCC, ICES |



Features

Image optimization features:

- Auto gain (manual gain control: 0 to 24#dB)
- Auto exposure
- Auto white balance
- Binning

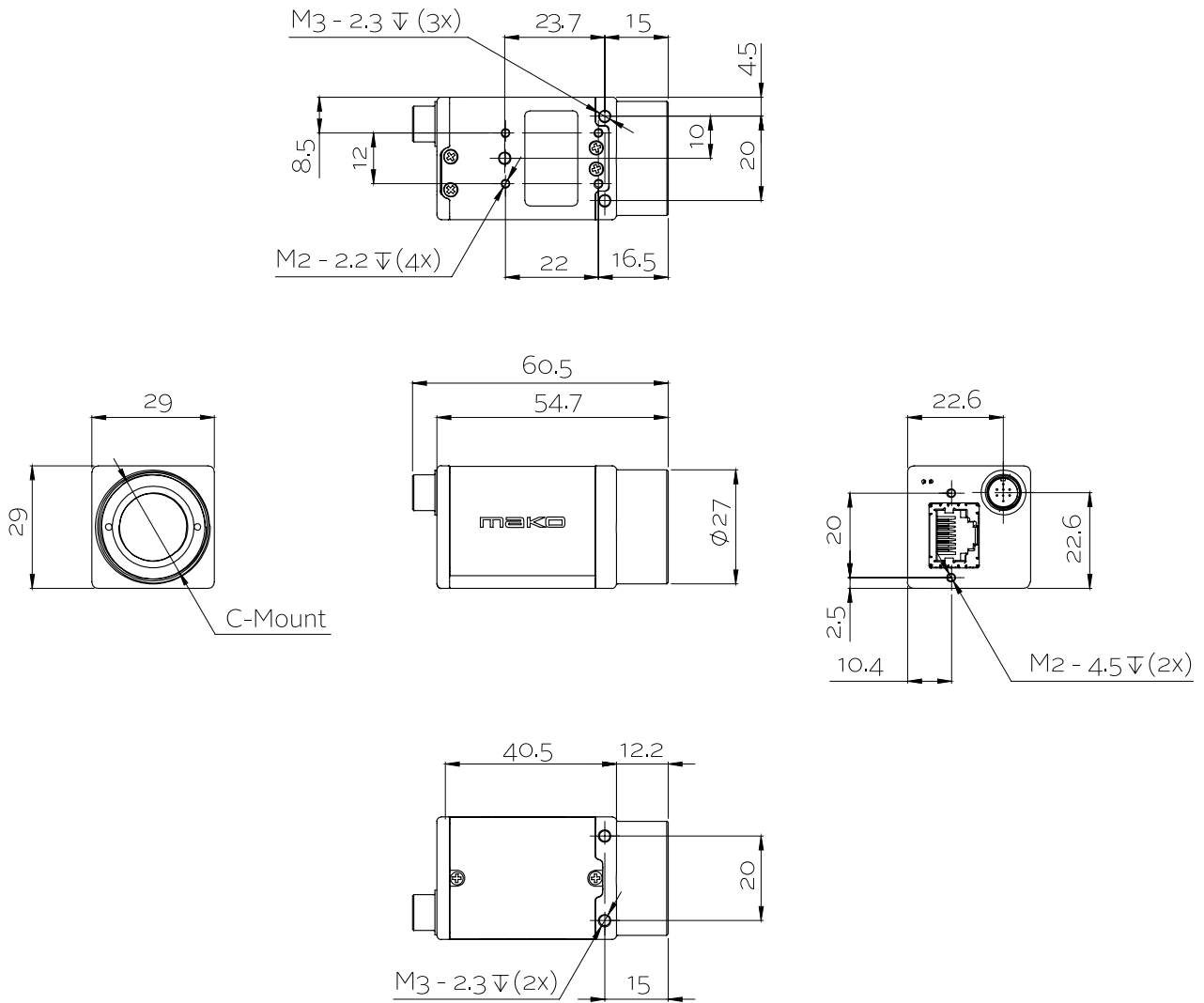


- Color correction, hue, saturation (color models only)
- Decimation
- Gamma correction
- Look-up tables (LUTs)
- Pixel defect masking
- Region of interest (ROI), separate ROI for auto features
- Reverse X/Y

Camera control features:

- Event channel
- Image chunk data
- Storable user sets
- StreamBytesPerSecond (easy bandwidth control)
- StreamHoldSync out modes: Trigger ready, input, exposing, readout, imaging, strobe, GPO
- Switchable Rolling / Global / GlobalReset#shutter modes
- Temperature monitoring

Technical drawing





Applications

Mako G-192B/G-192C is an inexpensive industrial GigE camera with a compact form factor. It is suitable for all typical machine vision applications:

- Robotics
- Quality control
- Inspection, surveillance
- Industrial imaging
- Machine vision
- Logistics