

# Mako G

## G-131



- Ultra-compact
- e2v Sapphire CMOS sensor
- Switchable shutter modes
- 62 fps @ full resolution

## Description

GigE Vision camera with e2v Sapphire sensor; 62 frames per second

Mako G-131B/G-131C is an industrial GigE camera with the e2v Sapphire EV76C560 CMOS sensor. Mako G cameras have the same compact form factor and the same mounting positions as many analog cameras. All models include Power over Ethernet (PoE), three opto-isolated outputs, and a 64 MB image buffer. The image quality profits from the precisely aligned sensors.

### Options:

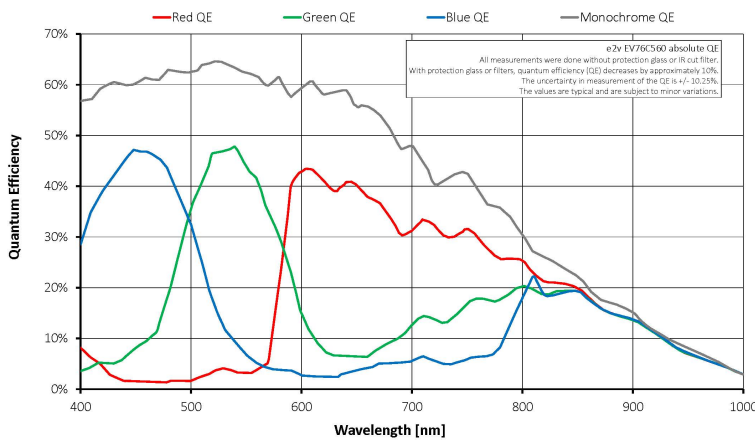
- Various optical filters
- Various lens mounts
- White medical housing

See the [Modular Concept](#) for lens mount, optical filter, and case design options.

## Specifications

Mako G	G-131
Interface	IEEE 802.3 1000BASE-T, IEEE 802.3af (PoE)
Resolution	1280 (H) × 1024 (V)
Sensor	e2v EV76C560
Sensor type	CMOS
Cell size	5.3 μm x 5.3 μm
Lens mount	C-Mount
Max frame rate at full resolution	62 fps
ADC	10 bit
Image buffer (RAM)	64 MByte
<b>Output</b>	

Mako G	G-131
Bit depth	8/10 bit
Mono modes	Mono8, Mono10
Color modes YUV	YUV411Packed, YUV422Packed, YUV444Packed
Color modes RGB	RGB8Packed, BGR8Packed
Raw modes	BayerGB8, BayerGB10
General purpose inputs/outputs (GPIOs)	
Opto-isolated I/Os	1 input, 3 outputs
Operating conditions/dimensions	
Operating temperature	+5 °C to +45 °C housing temperature
Power requirements (DC)	12 to 24 VDC; PoE
Power consumption (@12 V)	2.0 W @ 12 VDC; 2.2 W PoE
Mass	80 g
Body dimensions (L × W × H in mm)	60.5 × 29 × 29 (including connectors)
Regulations	CE, RoHS, REACH, WEEE, FCC, ICES



## Features

### Image optimization features:

- Auto gain (manual gain control: 0 to 24 dB)
- Auto exposure
- Auto white balance
- Binning

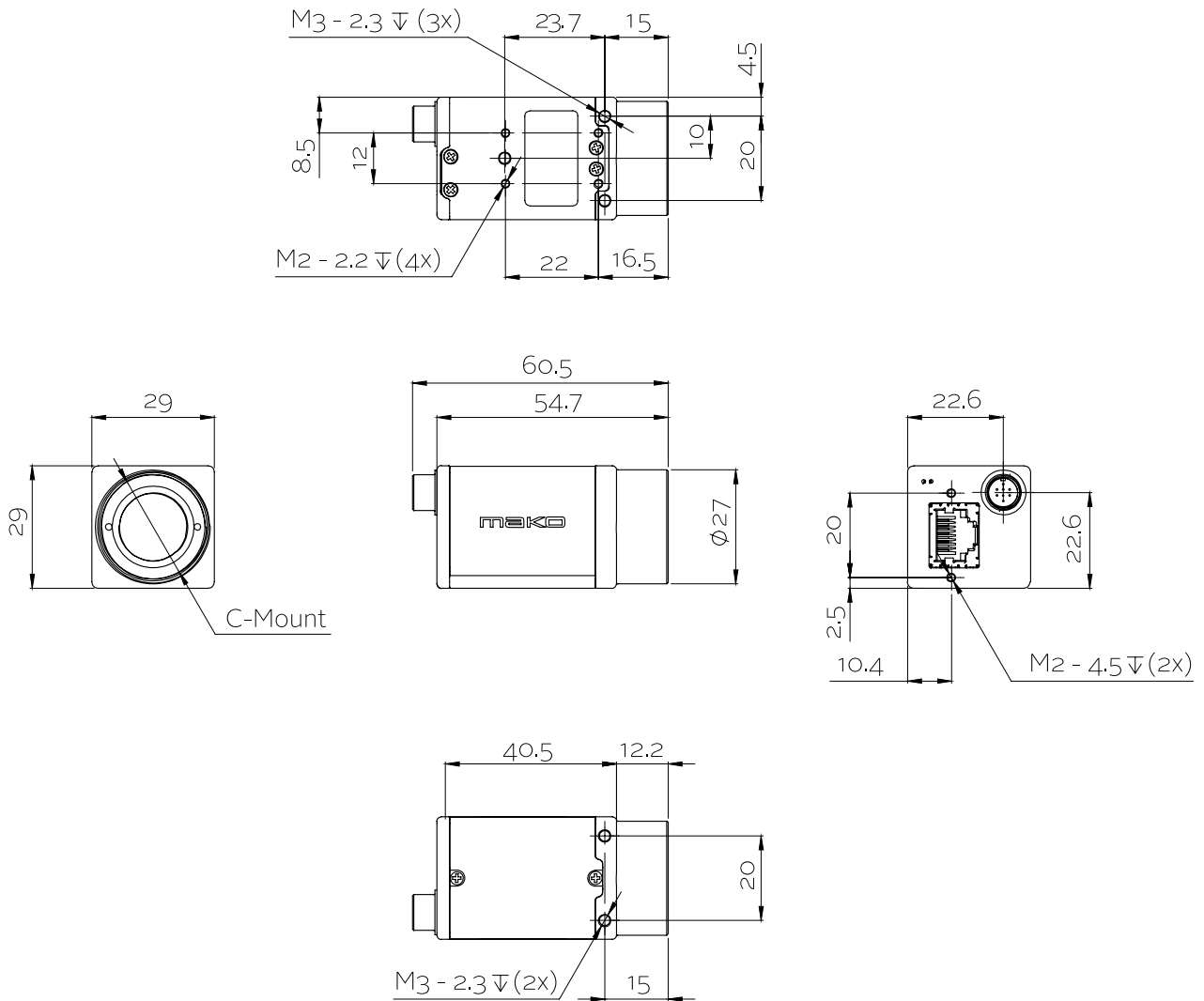


- Color correction, hue, saturation (color models only)
- Decimation
- Gamma correction
- Look-up tables (LUTs)
- Pixel defect masking
- Region of interest (ROI), separate ROI for auto features
- Reverse X/Y

**Camera control features:**

- Event channel
- Image chunk data
- Storable user sets
- StreamBytesPerSecond (easy bandwidth control)
- StreamHold
- Sync out modes: Trigger ready, input, exposing, readout, imaging, strobe, GPO
- Switchable Rolling / Global / GlobalReset#shutter modes
- Temperature monitoring

## Technical drawing



## Applications

Mako G-131B/G-131C is ideal for a wide range of applications including:



- Robotics
- Quality control
- Inspection, surveillance
- Industrial imaging
- Machine vision
- Logistics