

Mako G

G-032



- Ultra-compact
- Affordable
- PoE
- High frame rate

Description

GigE camera with Sony ICX424 CCD sensor, 102 frames per second

Mako G-032B/G-032C is an industrial GigE camera with Sony's ICX424 CCD sensor with HAD technology. Mako G cameras have the same compact form factor and the same mounting positions as many analog cameras. All models include Power over Ethernet (PoE), three opto-isolated outputs, and a 64 MB image buffer. The image quality profits from the precisely aligned sensors.

Options:

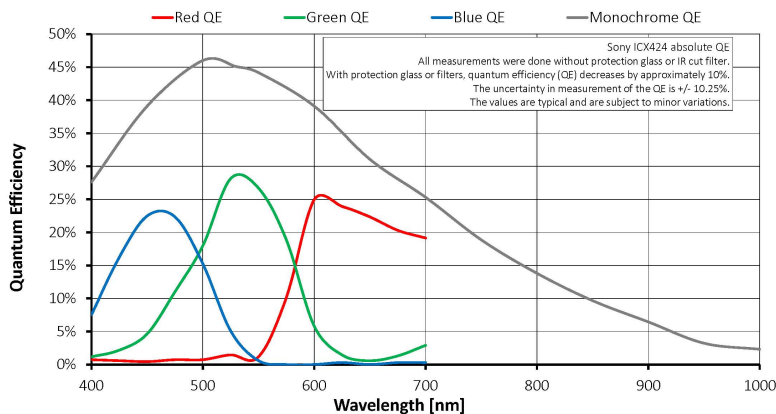
- Various optical filters and lens mounts
- White medical housing

See the [#Modular Concept#](#) for lens mount, optical filter, and case design options.

Specifications

Mako G	G-032
Interface	IEEE 802.3 1000BASE-T, IEEE 802.3af (PoE)
Resolution	658 (H) × 492 (V)
Sensor	Sony ICX424
Sensor type	CCD Progressive
Cell size	7.4 μm x 7.4 μm
Lens mount	C-Mount
Max frame rate at full resolution	102.3 fps
ADC	14 bit
Image buffer (RAM)	64 MByte
Output	
Bit depth	8/12 bit

Mako G	G-032
Mono modes	Mono8, Mono12, Mono12Packed
Color modes YUV	YUV411Packed, YUV422Packed, YUV444Packed
Color modes RGB	RGB8Packed, BGR8Packed
Raw modes	BayerRG8, BayerRG12, BayerRG12Packed
General purpose inputs/outputs (GPIOs)	
Opto-isolated I/Os	1 input, 3 outputs
Operating conditions/dimensions	
Operating temperature	+5 °C to +45 °C housing temperature
Power requirements (DC)	12 to 24 VDC; PoE
Power consumption (@12 V)	2.4 W @ 12VDC; 2.8 W PoE
Mass	80 g
Body dimensions (L × W × H in mm)	60.5 × 29 × 29 (including connectors)
Regulations	CE, RoHS, REACH, WEEE, FCC, ICES



Features

Image optimization features:

- Auto gain (manual gain control: 0 to 30 dB)
- Auto exposure (manual exposure control: #10 #s to 93 s)
- Auto white balance
- Binning
- Color correction, hue, saturation (color models only)

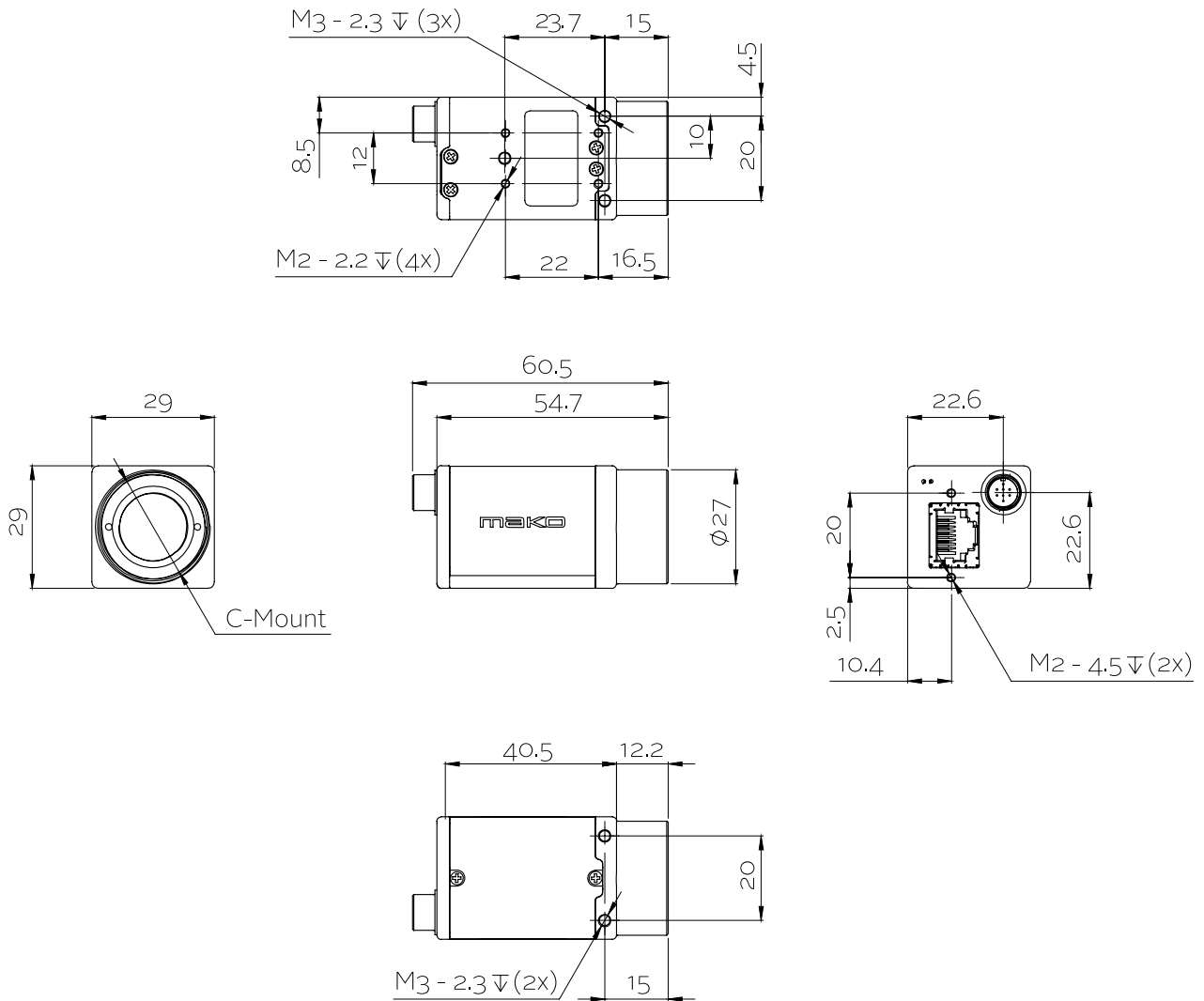


- Gamma correction
- Look-up tables (LUTs)
- Region of interest (ROI), separate ROI for auto features

Camera control features:

- Event channel
- Image chunk data
- Storable user sets
- StreamBytesPerSecond (easy bandwidth control)
- StreamHold
- Sync out modes: Trigger ready, input, exposing, readout, imaging, strobe, GPO
- Temperature monitoring

Technical drawing



Applications

Mako G-032B/G-032C is ideal for a wide range of applications including:



- Robotics
- Quality control
- Inspection, surveillance
- Industrial imaging
- Machine vision
- Logistics