



## Pike F-1100

- Versatile IEEE 1394b camera
- Advanced feature set
- Many variants
- High frame rates

### Description

11 Megapixel premium camera – 35 mm CCD sensor ON Semiconductor KAI-11002

The Pike F-1100B/F-1100C is an 11 Megapixel IEEE 1394b camera with excellent image quality. It can be operated in either single tap or dual tap mode. At full resolution, it runs up to 4.9 frames per second (dual tap). Higher frame rates can be reached by using a smaller area of interest (AOI), binning (b/w), or sub-sampling.

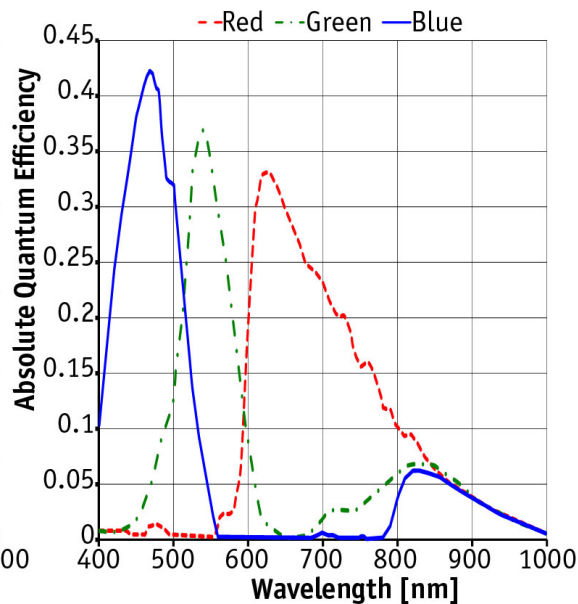
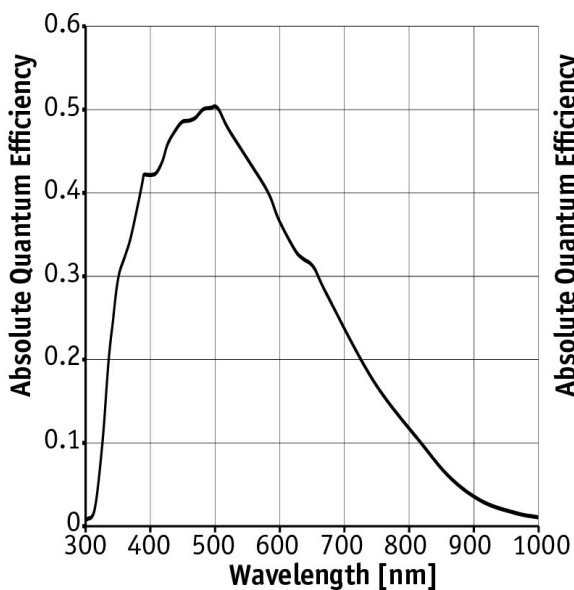
Options:

- IEEE 1394b connectors: 2 x copper (daisy chain) or 1 x GOF, 1 x copper, Hirose power: out
- Various IR cut/pass filters, various lens mounts
- Angled head, white medical housing

### Specifications

Pike	F-1100
Interface	IEEE 1394b - 800 Mb/s, 2 ports, daisy chain, fiber optic (GOF) optional
Resolution	4008 (H) × 2672 (V)
Sensor	OnSemi KAI-11002
Sensor type	CCD Progressive
Cell size	9 μm x 9 μm
Lens mount	F-Mount
Max frame rate at full resolution	5 fps
ADC	14 bit
Image buffer (RAM)	256 MByte
	<b>Output</b>
Bit depth	8-14 bit

Pike	F-1100
Mono modes	Mono8, Mono12, Mono16
Color modes RGB	RGB8
Raw modes	Raw8, Raw12, Raw16
<b>General purpose inputs/outputs (GPIOs)</b>	
Opto-isolated I/Os	2 inputs, 4 outputs
RS-232	1
<b>Operating conditions/dimensions</b>	
Operating temperature	+5 °C to +50 °C
Power requirements (DC)	8 V to 36 V
Power consumption (@12 V)	4 W
Mass	380 g
Body dimensions (L × W × H in mm)	142.8 × 59 × 59 (including connectors)
Regulations	CE, RoHS, REACH, WEEE, FCC

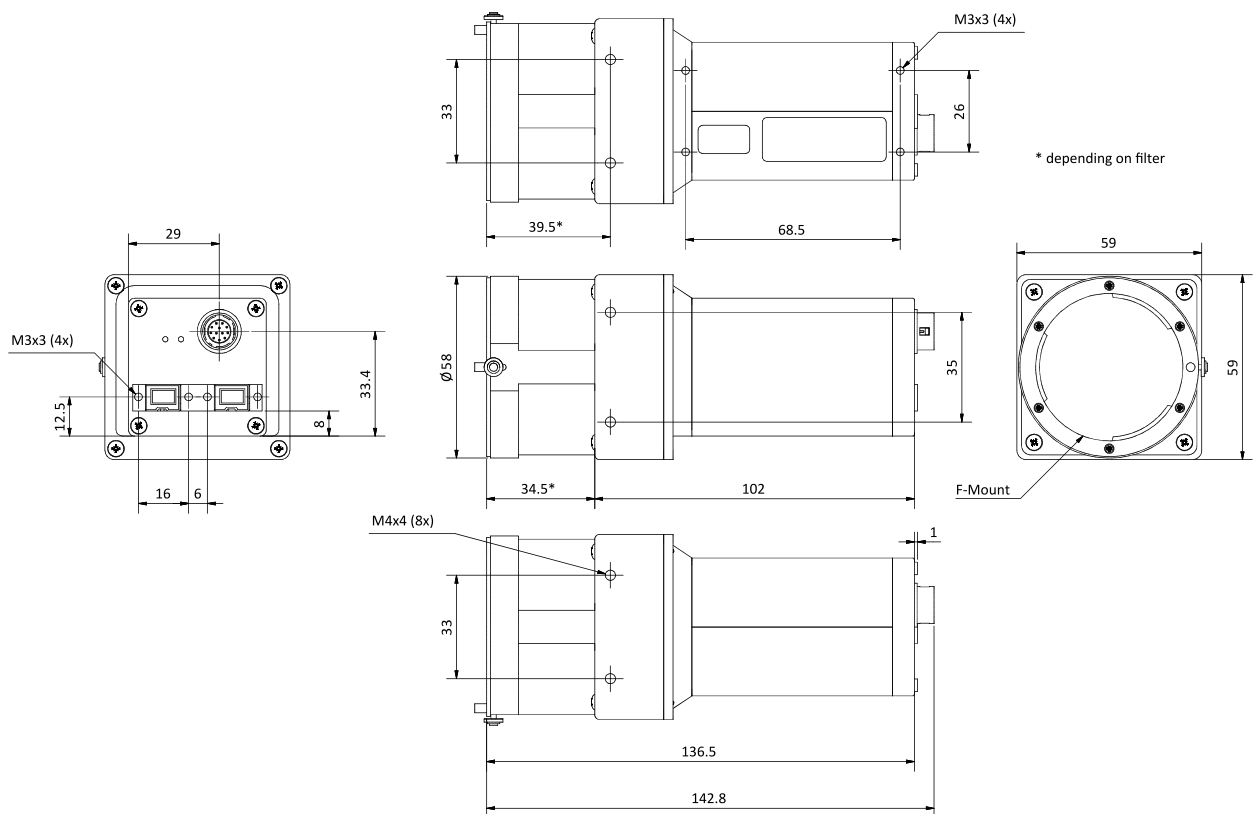


## Features

- High SNR mode (up to 24 dB better signal-to-noise ratio)
- Low-noise binning mode
- Smear reduction
- Shading correction
- Defect pixel correction
- Area of interest (AOI), separate AOI for auto features
- Binning

- Decimation
- Auto gain (manual gain control: 0 to 24 dB)
- Auto exposure (129  $\mu$ s to 67 s)
- Auto white balance
- Look-up table (LUT)
- Hue, saturation, color correction
- Reverse X
- Deferred image transport
- Trigger programmable, level, single, bulk, programmable delay
- Sequence mode (changes the camera settings on the fly)
- SIS (secure image signature, time stamp for trigger, frame count)
- Storable user sets

## Technical drawing





## Applications

The Pike F-1100B/F-1100C is ideal for high-precision applications. Its excellent image quality can be enhanced by numerous image pre-processing functions. It is also available with M42-Mount or with M58-Mount.

This camera is well-suited for:

- Science and research
- Metrology
- Document scanning (replaces DSLR cameras - no mechanical shutter, long life time)
- Healthcare and medical applications
- Industrial inspection at high resolutions
- Aerial imaging
- Very demanding OEM camera applications
- Intelligent traffic solutions (ITS)
- Long cables - 400 meters and more without additional repeaters (fiber version)