



Guppy PRO

F-033



- Compact VGA camera
- Robust metal housing
- 1/2" CCD sensor
- Optocoupled I/Os

Description

Small CCD camera with Sony ICX414 - IEEE 1394b, VGA

The Guppy PRO F-033B/F-033C is a small IEEE 1394b camera with the Sony ICX414 sensor and VGA resolution. At full resolution the camera runs 85 frames per second. With a smaller area of interest (AOI), higher frame rates are possible.

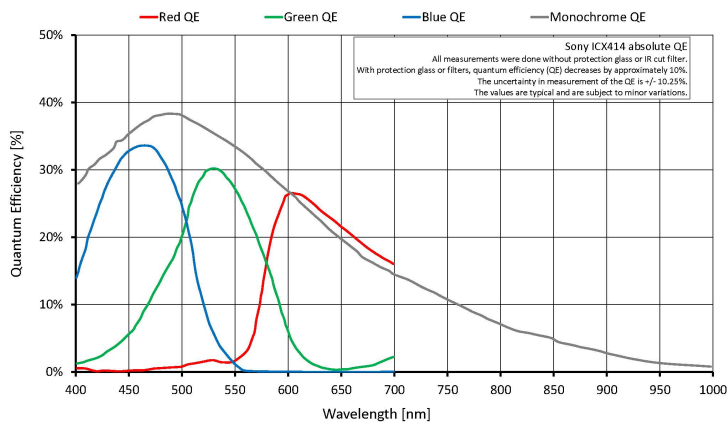
Options

- Various IR cut/pass filters
- White medical housing

Specifications

Guppy PRO	F-033
Interface	IEEE 1394b - 800 Mb/s, 1 port
Resolution	656 (H) × 492 (V)
Sensor	Sony ICX414
Sensor type	CCD Progressive
Cell size	9.9 μm x 9.9 μm
Lens mount	C-Mount
Max frame rate at full resolution	85 fps
ADC	14 bit
Image buffer (RAM)	
	Output
Bit depth	8-12 bit
Mono modes	8/12/16
Color modes RGB	RGB8

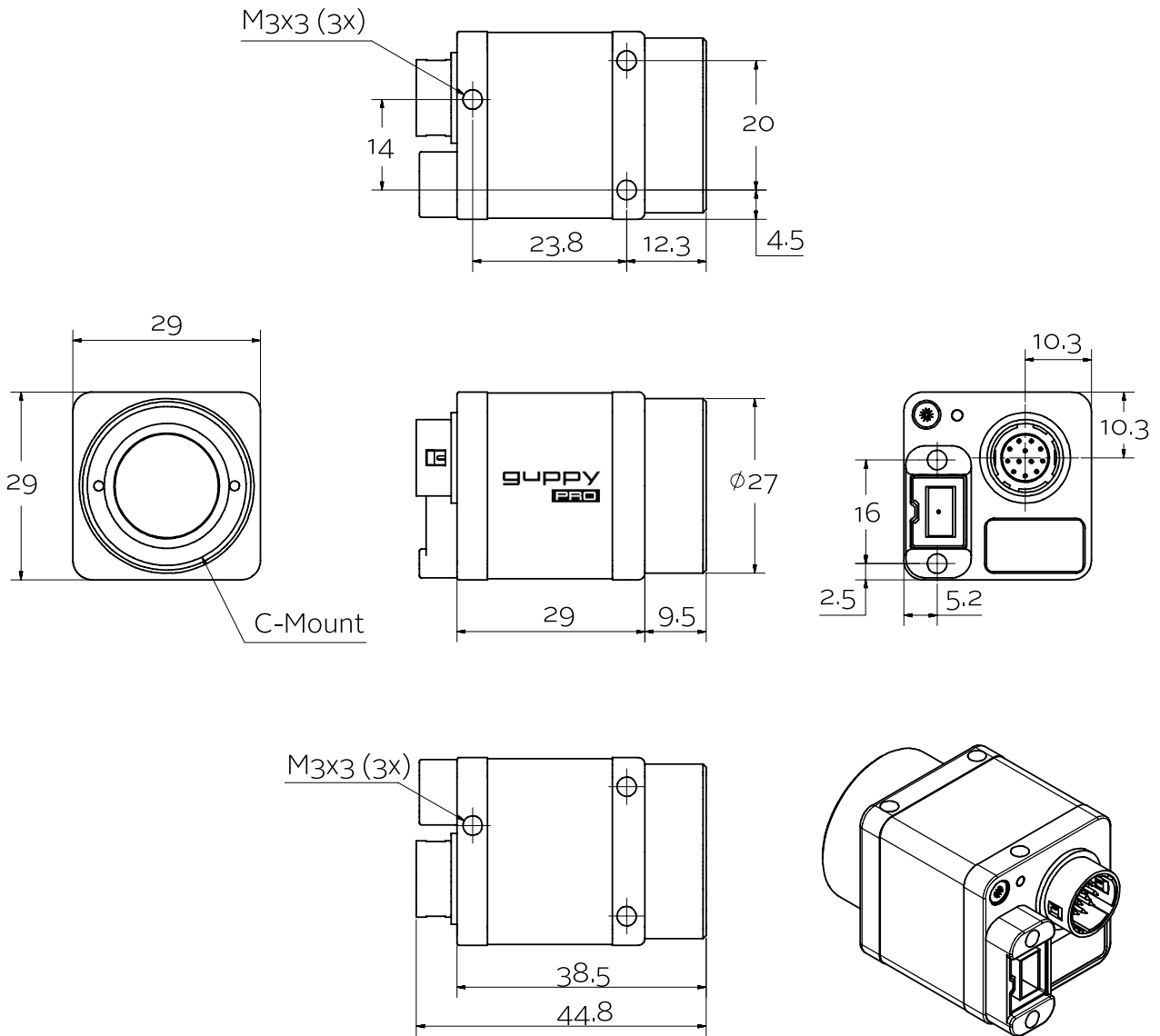
Guppy PRO	F-033
Raw modes	8/12/16
General purpose inputs/outputs (GPIOs)	
Opto-isolated I/Os	1/3
Operating conditions/dimensions	
Operating temperature	+5 °C to +45 °C
Power requirements (DC)	8 V to 36 V
Power consumption (@12 V)	<3.5 W
Mass	80 g
Body dimensions (L × W × H in mm)	44.8 × 29 × 29 (including connectors)
Regulations	CE, RoHS, REACH, WEEE, FCC



Features

- Look-up table (LUT)
- Gamma correction
- Color correction
- Area of interest (AOI), separate AOI for auto features
- Binning
- Sub-sampling
- Auto gain (manual gain control: 0 to 24.4 dB)
- Auto exposure (31 μ s to 67 s)
- Trigger programmable, level, single, bulk, programmable delay
- Storable user sets

Technical drawing





Applications

This inexpensive, reliable mainstream machine vision camera addresses a wide range of imaging applications. With its ultra-compact housing, the Guppy PRO F-033B/F-033C is the perfect fit for all applications with space constraints.

- Machine vision
- Robotics (robust housing, lightweight camera)
- Quality control
- Semiconductor inspection
- Industrial inspection
- ITS/Traffic monitoring