



# Guppy PRO

## F-032



- Compact VGA camera
- Robust metal housing
- Sony ICX424 CCD sensor
- Optocoupled I/Os

## Description

Industrial camera with Sony ICX424 and IEEE 1394b interface

The Guppy PRO F-032B/F-032C is an industrial camera with Sony's ICX424 CCD sensor and a fast IEEE 1394b interface. At full resolution, it runs 82 frames per second. Guppy PRO cameras have an excellent price/performance ratio.

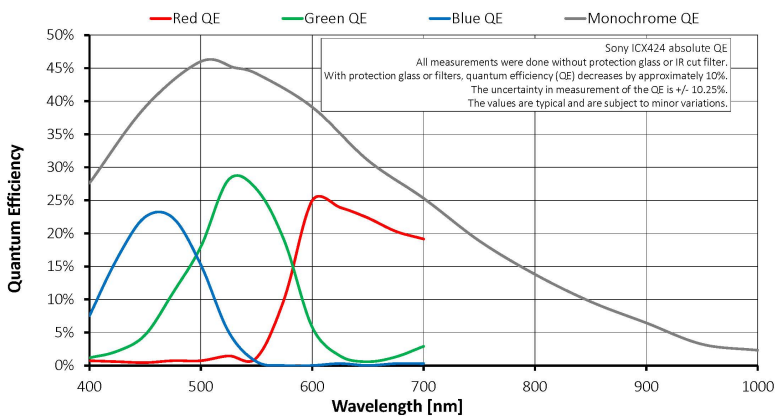
Options

- Various IR cut/pass filters
- White medical housing

## Specifications

Guppy PRO	F-032
Interface	IEEE 1394b - 800 Mb/s, 1 port
Resolution	656 (H) × 492 (V)
Sensor	Sony ICX424
Sensor type	CCD Progressive
Cell size	7.4 μm x 7.4 μm
Lens mount	C-Mount
Max frame rate at full resolution	82 fps
ADC	12 bit
Image buffer (RAM)	
	Output
Bit depth	8-12 bit
Mono modes	8/12/16
Color modes RGB	RGB8

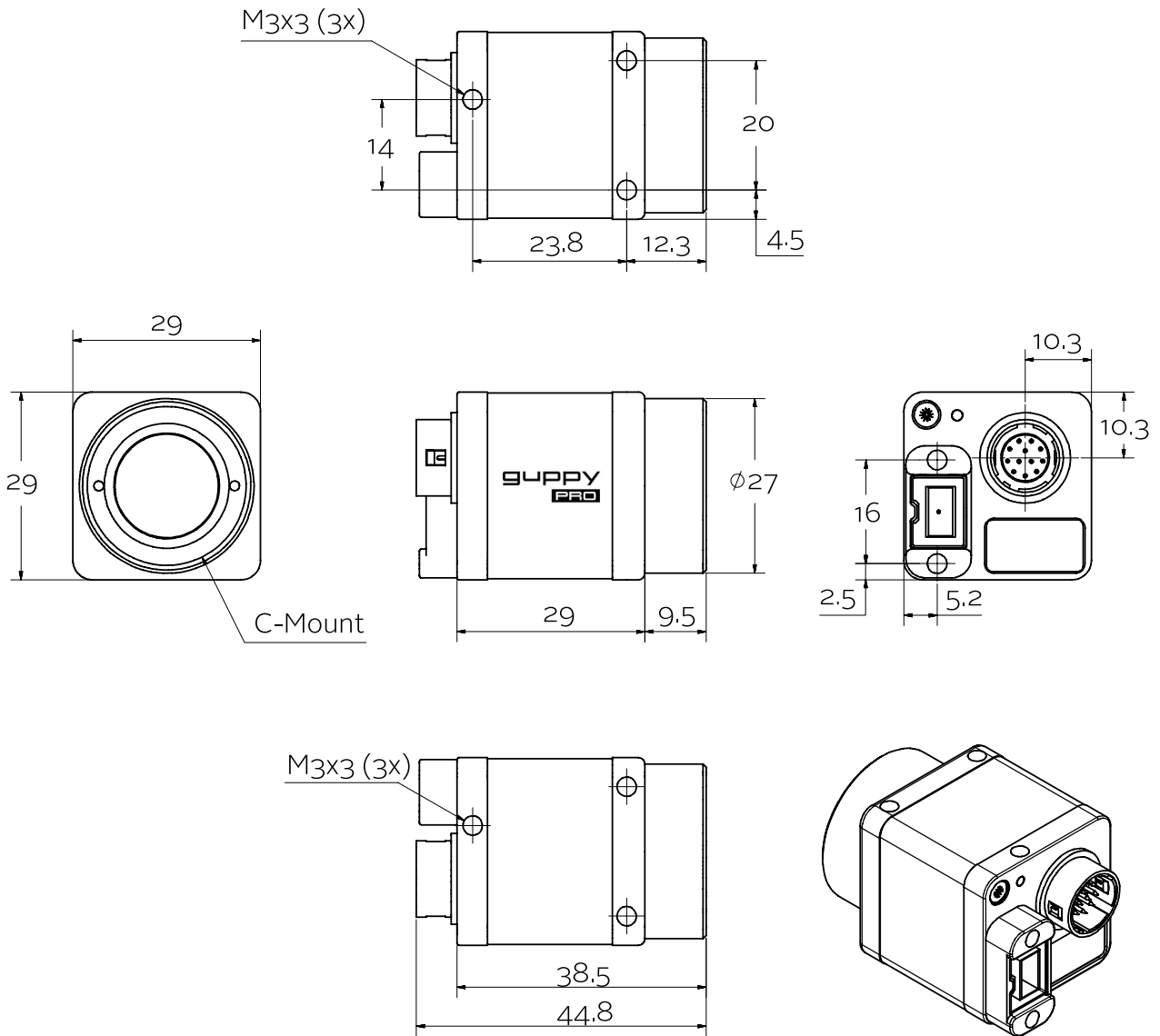
<b>Guppy PRO</b>	<b>F-032</b>
Raw modes	8/12/16
<b>General purpose inputs/outputs (GPIOs)</b>	
Opto-isolated I/Os	1/3
<b>Operating conditions/dimensions</b>	
Operating temperature	+5 °C to +45 °C
Power requirements (DC)	8 V to 36 V
Power consumption (@12 V)	<3.5 W
Mass	80 g
Body dimensions (L × W × H in mm)	44.8 × 29 × 29 (including connectors)
Regulations	CE, RoHS, REACH, WEEE, FCC



## Features

- Look-up table (LUT)
- Gamma correction
- Color correction
- Area of interest (AOI), separate AOI for auto features
- Binning
- Sub-sampling
- Auto gain (manual gain control: 0 to 24.4 dB)
- Auto exposure (37  $\mu$ s to 67 s)
- Trigger programmable, level, single, bulk, programmable delay
- Storable user sets

## Technical drawing





## Applications

The Guppy PRO F-032B/F-032C is an ultra-compact IEEE 1394b camera for a large variety of industrial applications:

- Machine vision
- Robotics
- Logistics
- Security and surveillance
- Healthcare
- Pharmaceutical industry
- Food inspection
- Motion analysis
- ITS/Traffic monitoring