



Guppy F-044

- IEEE 1394a camera
- Lightweight
- Robust design
- Machine vision camera

Description

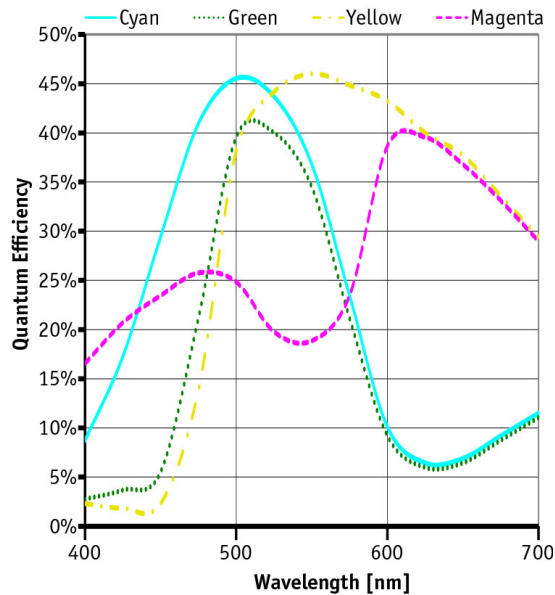
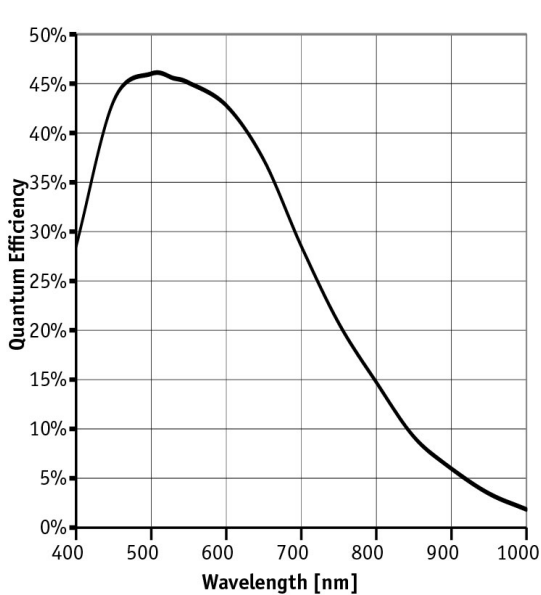
Ultra-compact, inexpensive 0.4 Megapixel camera - interlaced, high sensitivity

The Guppy F-044B/F-044C is equipped with an ultra-sensitive **interlaced** CCD sensor - which makes the move from analog to digital cameras (e.g. quality control applications) very easy. Additionally, with the Guppy F-044B NIR, a version with enhanced NIR sensitivity is available. At full resolution, it runs at up to 25 frames per second. Higher frame rates can be reached by a smaller area of interest (AOI).

Specifications

Guppy	F-044
Interface	IEEE 1394a - 400 Mb/s, 1 port
Resolution	752 (H) × 580 (V)
Sensor	Sony ICX419
Sensor type	CCD Interlaced
Cell size	8.6 μm x 8.3 μm
Lens mount	C-Mount, CS-Mount
Max frame rate at full resolution	25 fps
ADC	12 bit
Image buffer (RAM)	
	Output
Bit depth	8 bit
Mono modes	Mono8
Color modes RGB	n/a
Raw modes	Raw8
	General purpose inputs/outputs (GPIOs)
TTL I/Os	1 input, 3 outputs

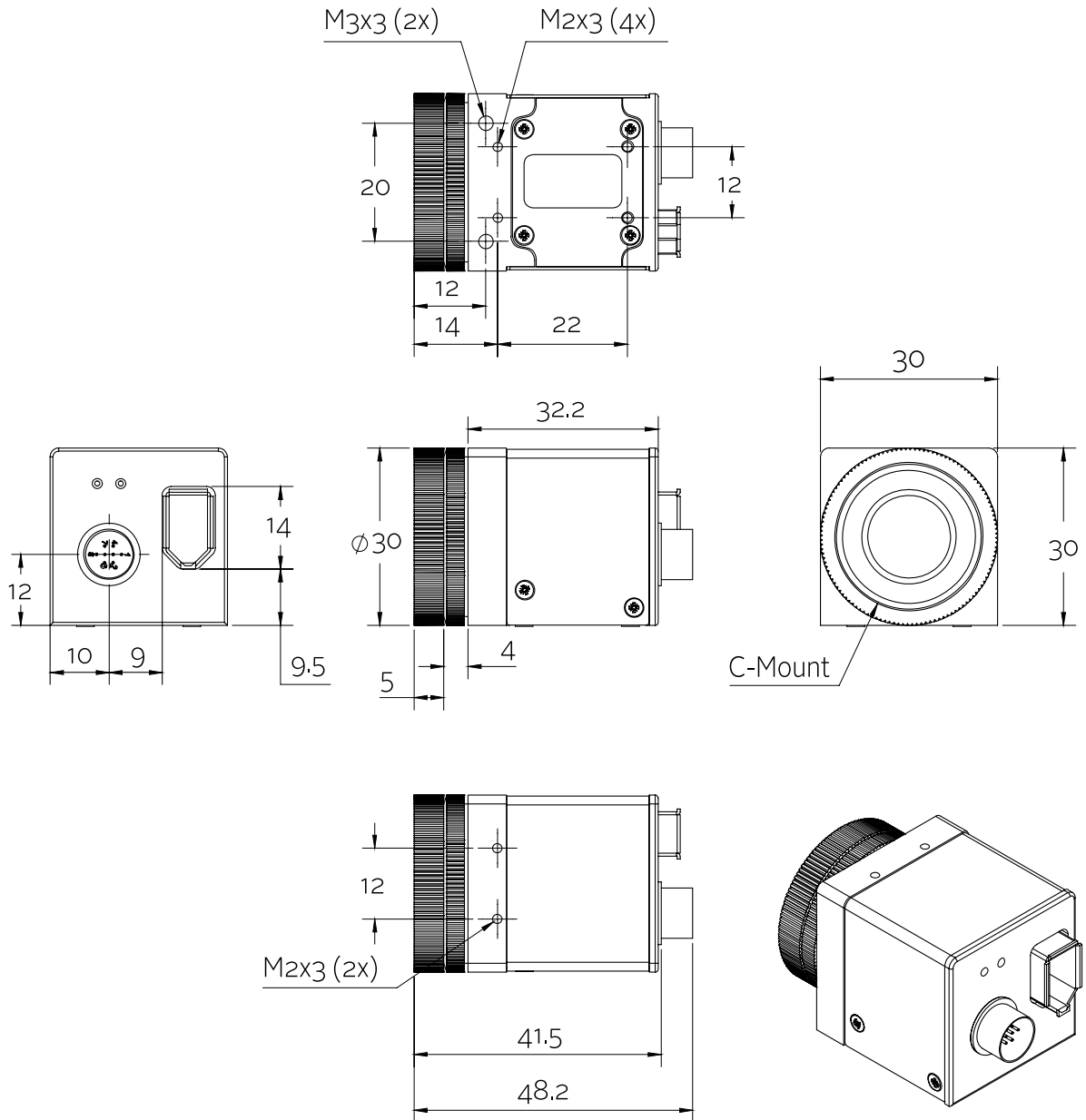
Guppy	F-044
RS-232	1
Operating conditions/dimensions	
Operating temperature	+5 °C to +45 °C
Power requirements (DC)	8 V to 36 V
Power consumption (@12 V)	<2 W
Mass	50 g
Body dimensions (L × W × H in mm)	48.2 × 30 × 30 (including connectors)
Regulations	CE, RoHS, REACH, WEEE, FCC



Features

- Look-up table (LUT)
- Area of interest (AOI), separate AOI for auto features
- Auto gain (0 to 24 dB)
- Auto exposure (62 μ s to 67 s)
- Auto white balance
- Storable user sets

Technical drawing





Applications

Due to the very sensitive interlaced sensor, the Guppy F-044B/F-044C is a very inexpensive, easy solution for the switch from analog to digital cameras, e.g for quality control. The Guppy F-044B NIR version has enhanced near infrared sensitivity.

- Machine vision
- Quality control
- Industrial inspection
- Robotics
- Security and surveillance
- Pharma
- Semiconductor inspection
- ITS/Traffic monitoring