



## Guppy F-036

- IEEE 1394a camera
- Lightweight
- Robust design
- Machine vision camera

### Description

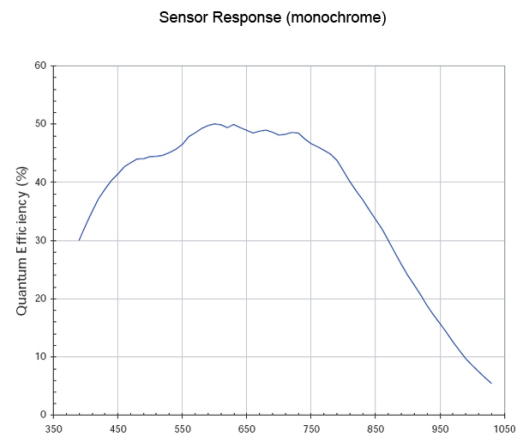
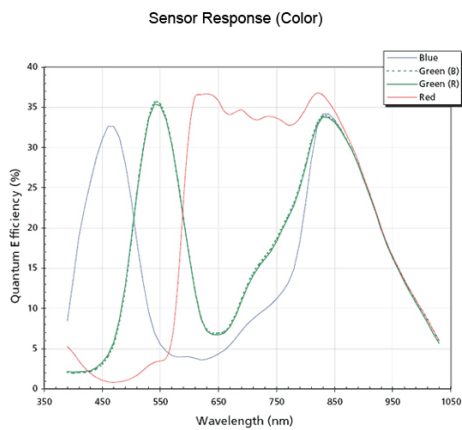
Ultra-compact, inexpensive high contrast VGA camera with HDR mode

The Guppy F-036B/F-036C is an ultra-compact, inexpensive VGA camera for applications with high contrasts. It is equipped with a CMOS sensor by ON Semiconductor (Aptina) which supports the High Dynamic Range (HDR) mode. At full resolution, it runs at up to 58 frames per second. Higher frame rates can be reached by a smaller area of interest (AOI).

### Specifications

| <b>Guppy</b>                      | <b>F-036</b>                                  |
|-----------------------------------|---|
| Interface                         | IEEE 1394a - 400 Mb/s, 1 port                 |
| Resolution                        | 752 (H) × 480 (V)                             |
| Sensor                            | OnSemi MT9V022                                |
| Sensor type                       | CMOS  |
| Cell size                         | 6 μm x 6 μm                                   |
| Lens mount                        | C-Mount, CS-Mount                             |
| Max frame rate at full resolution | 64 fps  |
| ADC                               | 10 bit  |
| Image buffer (RAM)                |   |
|                                   | <b>Output</b>                                 |
| Bit depth                         | 8 bit   |
| Mono modes                        | Mono8   |
| Color modes RGB                   | n/a   |
| Raw modes                         | Raw8  |
|                                   | <b>General purpose inputs/outputs (GPIOs)</b> |
| TTL I/Os                          | 1 input, 3 outputs                            |

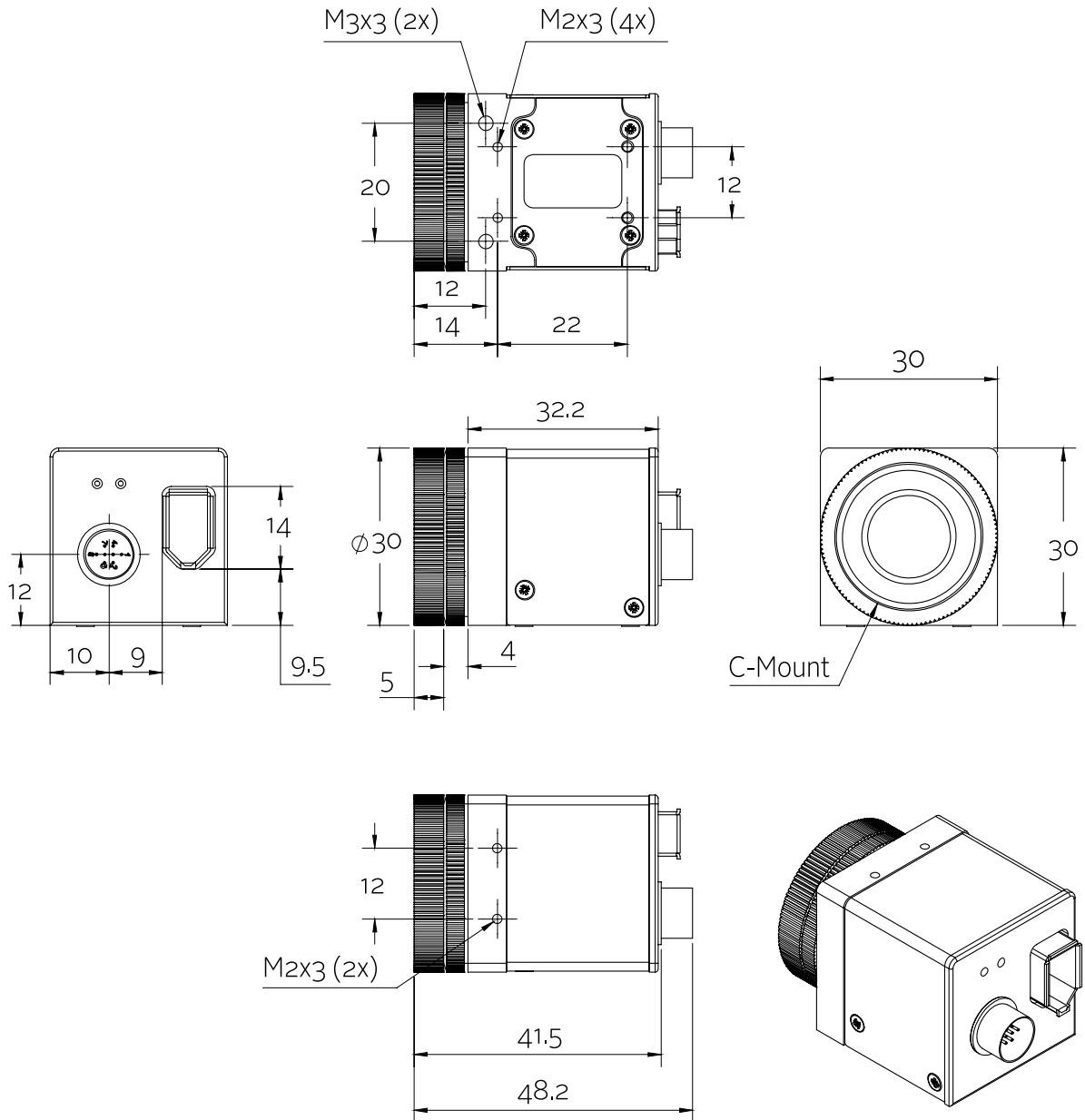
|  |                                       |
|--|---------------------------------------|
| <b>Guppy</b>                           | <b>F-036</b>                          |
| RS-232                                 | 1                                     |
| <b>Operating conditions/dimensions</b> |                                       |
| Operating temperature                  | +5 °C to +45 °C                       |
| Power requirements (DC)                | 8 V to 36 V                           |
| Power consumption (@12 V)              | <2 W                                  |
| Mass                                   | 50 g                                  |
| Body dimensions (L × W × H in mm)      | 48.2 × 30 × 30 (including connectors) |
| Regulations                            | CE, RoHS, REACH, WEEE, FCC            |



## Features

- High Dynamic Range (HDR) mode
- Reverse X/Y
- Look-up table (LUT)
- Binning
- Area of interest (AOI), separate AOI for auto features
- Auto gain (0 to 12 dB)
- Auto exposure (179 μs to 979 ms)
- Auto white balance
- Storable user sets

## Technical drawing





## Applications

The CMOS sensor of the Guppy F-036B/F-036C has no blooming and supports the High Dynamic Range (HDR) mode. For this reason, this FireWire camera is made for applications with intense illumination and high contrasts.

- Surveillance and Security
- Inspection and Control
- Robotics
- ITS/Traffic monitoring
- Applications with high contrasts