



Guppy F-033



- IEEE 1394a camera
- Lightweight
- Robust design
- Machine vision camera

Description

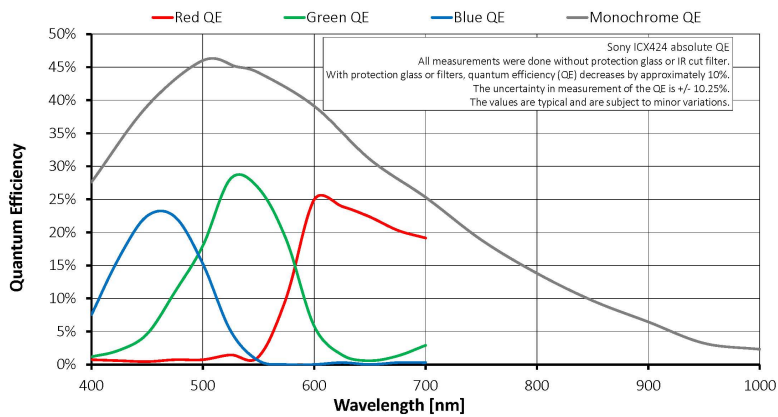
Ultra-compact, inexpensive IEEE 1394a VGA machine vision camera

The Guppy F-033B/F-033C is an ultra-compact, inexpensive VGA machine vision camera with a sensitive CCD sensor (Sony ICX424). At full resolution, it runs up to 58 frames per second. Higher frame rates can be reached by a smaller area of interest (AOI).

Specifications

Guppy	F-033
Interface	IEEE 1394a - 400 Mb/s, 1 port
Resolution	656 (H) × 494 (V)
Sensor	Sony ICX424
Sensor type	CCD Progressive
Cell size	7.4 μm x 7.4 μm
Lens mount	C-Mount, CS-Mount
Max frame rate at full resolution	58 fps
ADC	10 bit
Image buffer (RAM)	
	Output
Bit depth	8 bit
Mono modes	Mono8
Color modes RGB	n/a
Raw modes	Raw8
	General purpose inputs/outputs (GPIOs)
TTL I/Os	1 input, 3 outputs
RS-232	1

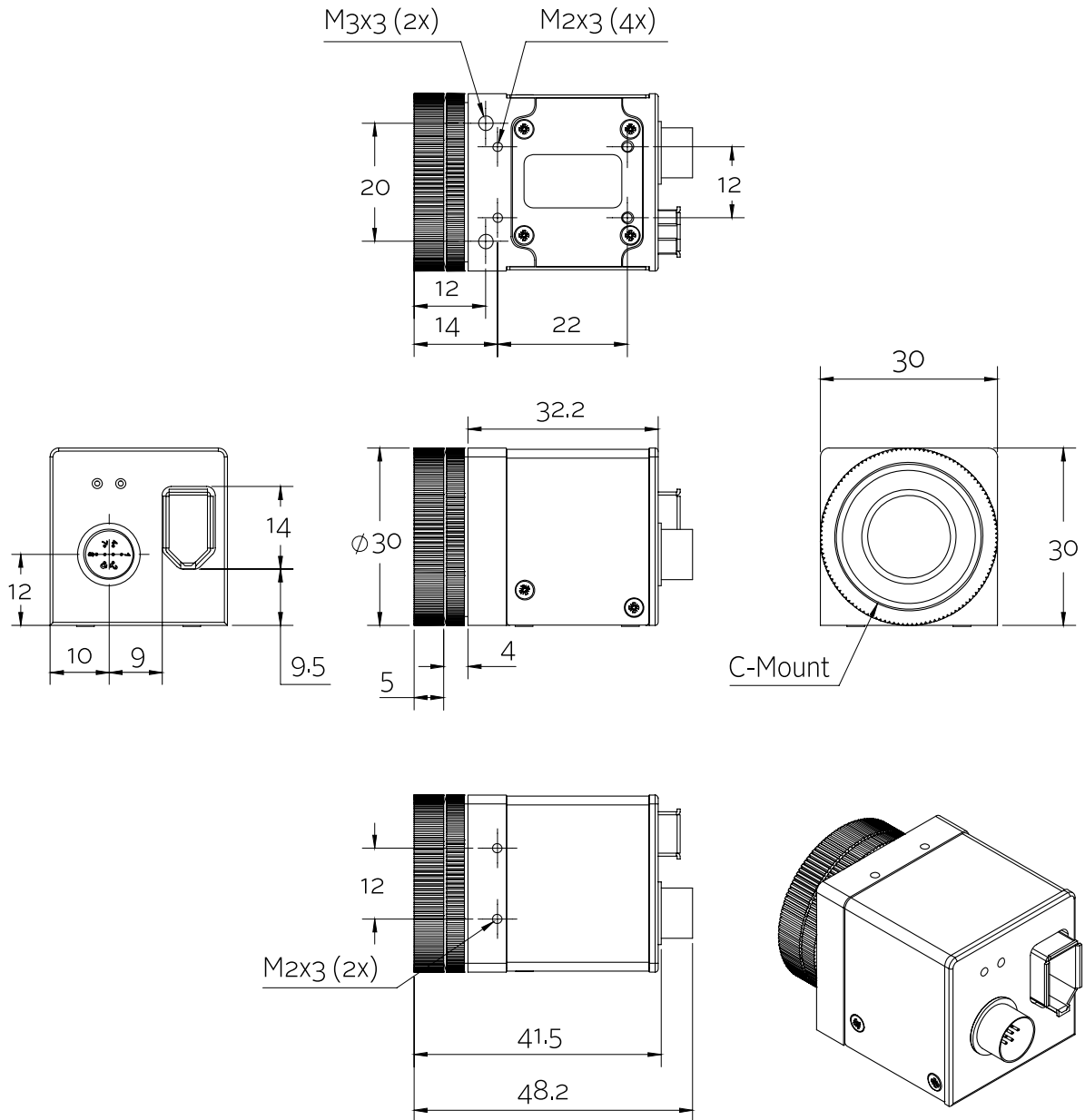
Guppy	F-033
Operating conditions/dimensions	
Operating temperature	+5 °C to +45 °C
Power requirements (DC)	8 V to 36 V
Power consumption (@12 V)	<2 W
Mass	50 g
Body dimensions (L × W × H in mm)	48.2 × 30 × 30 (including connectors)
Regulations	CE, RoHS, REACH, WEEE, FCC



Features

- Look-up table (LUT)
- Area of interest (AOI), separate AOI for auto features
- Auto gain (0 to 24 dB)
- Auto exposure (129 μ s to 67 s)
- Auto white balance
- Storable user sets

Technical drawing





Applications

This inexpensive, reliable mainstream VGA machine vision camera addresses a wide range of imaging applications. With its ultra-compact, small housing, the Guppy F-033B/F-033C is the perfect fit for all applications with space constraints.

- Machine vision
- Robotics (robust housing, lightweight camera)
- Quality control
- Ophthalmology
- Semiconductor inspection
- Industrial inspection
- ITS/Traffic monitoring