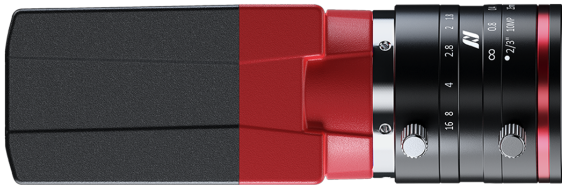


Alvium

G5-130 VSWIR

- IMX990 VSWIR sensor
- GigE Vision
- High bandwidths
- 3 lens mount options



Model without hardware options

Alvium G5 - Speed up your vision application

5GigE Vision camera for demanding applications

Alvium G5-130 VSWIR with Sony IMX990 | InGaAs runs 130.0 frames per second at 1.3 MP resolution.

The Alvium G5 camera series combines the advantages of the 5GigE interface for higher bandwidth and the flexibility of the Alvium platform offering various mount and sensor options. It enables an easy upgrade of existing systems (USB3 Vision or GigE Vision) and offers backwards compatibility with 1000BASE-T solutions. Powered by ALVIUM® Technology, the sugar cube Alvium G5 camera delivers highest image quality at a low power consumption.

Easy software integration with **Vimba X** and compatibility to the most popular third party image-processing libraries.

Specifications

Interface	IEEE 802.3, NBase-T (5, 2.5, and 1 Gbit/s), IEEE 802.3af Power Class 0 PoE
Resolution	1296 (H) × 1032 (V)
Spectral range	400 to 1700 nm
Sensor	Sony IMX990 InGaAs
Sensor type	InGaAs
Shutter mode	GS (Global shutter)
Sensor size	Type 1/2 VSWIR
Pixel size	5 μm × 5 μm
Lens mounts (available)	C-Mount, CS-Mount, S-Mount
Max. frame rate at full resolution	130 fps at ≥300 MByte/s, Mono8
ADC	12 Bit
Image buffer (RAM)	512 MByte
Non-volatile memory (Flash)	1024 KByte

Output

Bit depth	8-bit, 10-bit, 12-bit; Adaptive (10-bit, 12-bit)
Monochrome pixel formats	Mono8 (default), Mono10, Mono10p, Mono12, Mono12p, Mono12Packed

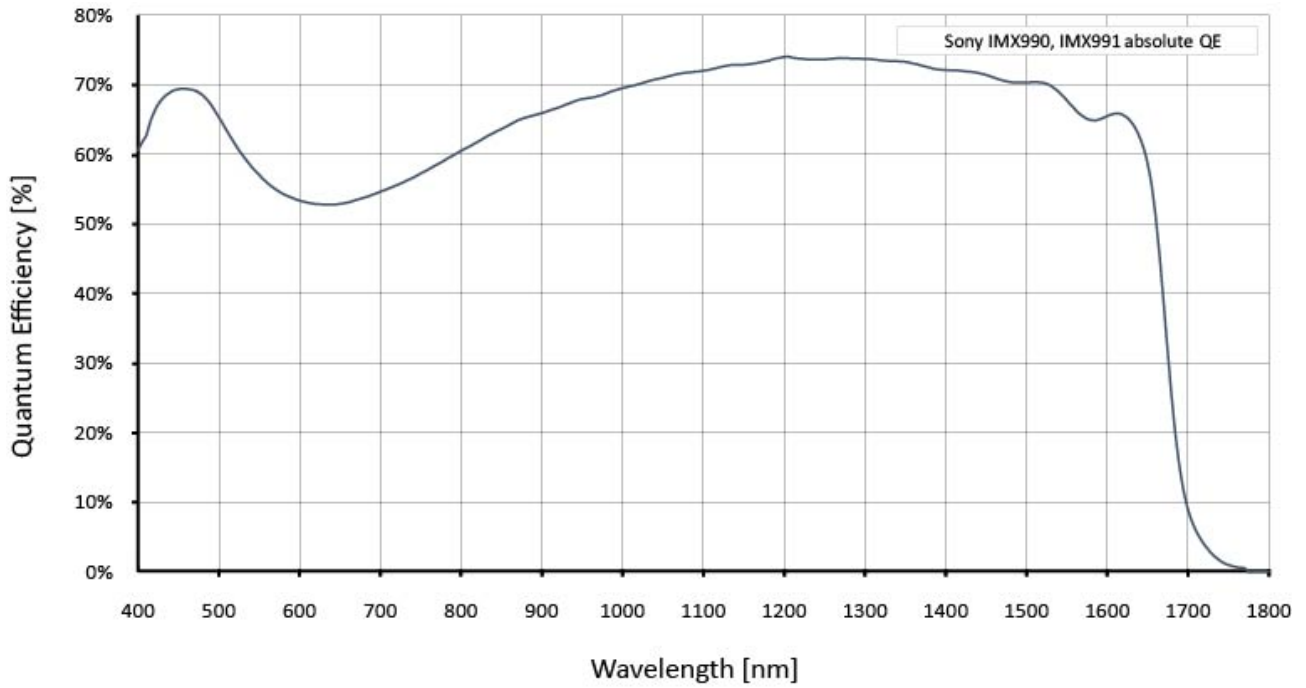
General purpose inputs/outputs (GPIOs)

TTL I/Os	2 GPIOs (LVTTTL)
Opto-isolated I/Os	1 input, 1 output

Operating conditions/dimensions

Operating temperature	-20 °C to +60 °C housing temperature
Power requirements (DC)	10.8 to 26.4 VDC AUX IEEE 802.3af, Power Class 0 PoE
Power consumption	External power: 4.9 W at 12 VDC (typical) Power over Ethernet: 5.7 W (typical)
Mass	100 g
Body dimensions (L × W × H in mm)	60 × 29 × 29

Quantum efficiency



Features

Image control: Auto

- Auto exposure
- Auto gain

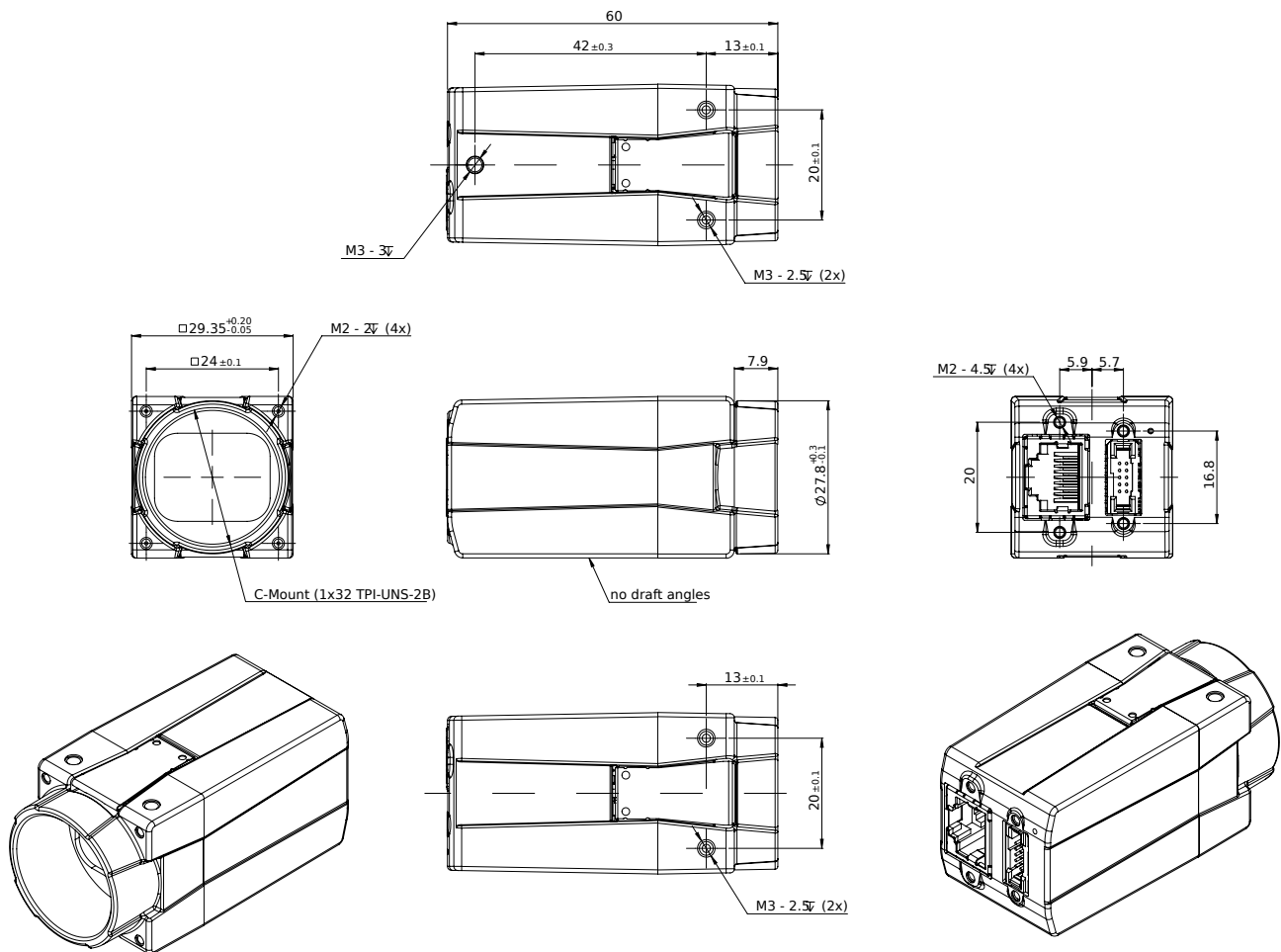
Image control: Other

- Adaptive noise correction
- Binning (digital)
- Black level
- Contrast
- Custom convolution
- DPC (defect pixel correction)
- Gamma
- Lens shading correction
- LUT (look-up table)
- Multiple ROIs (regions of interest)
- Reverse X/Y
- ROI (region of interest)
- Sharpness/Blur

Camera control

- Acquisition frame rate
- Action commands, incl. ToE (trigger over Ethernet)
- Bandwidth control
- Burst mode
- Counters and timers
- Event channel
- Firmware update in the field
- I/O and trigger control
- Image chunk data
- Power Saving Mode
- PTP (IEEE 1588 Precision Time Protocol)
- Readout modes (SensorBitDepth)
- Sequencer
- Serial I/Os
- Temperature monitoring
- User sets

Technical drawing



Applications

Alvium G5-130 VSWIR Kameras sind empfindlich für das sichtbare und das SWIR Spektrum und gut geeignet für viele typische SWIR Anwendungen in verschiedenen Industriezweigen:

- Halbleiterindustrie: Inspektion von Solarzellen und Chips
- Recycling-Industrie: Sortierung von Kunststoffen
- Medizinische Bildgebung, Wissenschaft: Hyper- und multi-spektrale Bilderzeugung
- Glasindustrie: Defekterkennung in heißem Glas
- Industrielle Landwirtschaft: Luftgestützte Fernerkundung
- Druckindustrie: Erkennung verborgener Merkmale
- Überwachung: Sichtverbesserung (zm Beispiel bei Nebel oder Dunst)
- Sicherheit: Erkennung von Fälschungen (zum Beispiel von Geld, falschem Haar oder kün-

stlicher Haut)